

# VWM Series

Versatile low profile wall cabinet, with comprehensive flexibility to fit system needs today and as technology evolves.

## FEATURES

- Configurable platform maximizes space and expertly handles the highest density of components
- Component mounting flexibility to tailor the cabinet for the needs of the system. Modular options for mounting equipment of all sizes and form factors:
  - Rackrail-fixed and pivoting rackrail options that include 10-32 threaded and cage nut mounting options
  - Lever Lock™ to mount small devices including extenders, power supplies, electronic door lock controllers and compact power solutions in the cabinet's backpan or door
  - Backpans available in various overall depths (10" or 16") and overall heights (36" and 42")
- Two door options to enable the desired level of system security. Both accommodate electronic locks and integrators can determine the client's level of access to the system:
  - Split door enables end user access to controls and features a locking angled plexiglass top for installations where visibility is desired or solid top for those where it should be restricted
  - Solid door prevents any user access or visibility
- Design the VWM cabinet to the needs of the specific job or application at [www.middleatlantic.com](http://www.middleatlantic.com) or choose a pre-configured model.
- Available in black, white and putty finish
- Backpan shall have a 150 lb. weight capacity, optional door shall have a 30 lb. weight capacity



Vertical Wall Cabinet

## OPTIONS

- Brush grommet shall be model # VWM-6BR-BP
- Optional bonding kit for UL-2416 (NWIN) compliance shall be PET-K-VWM-FAN when used with fans
- Optional Filter Kit (FILTER-R-4-2K) available

# VWM SERIES

---

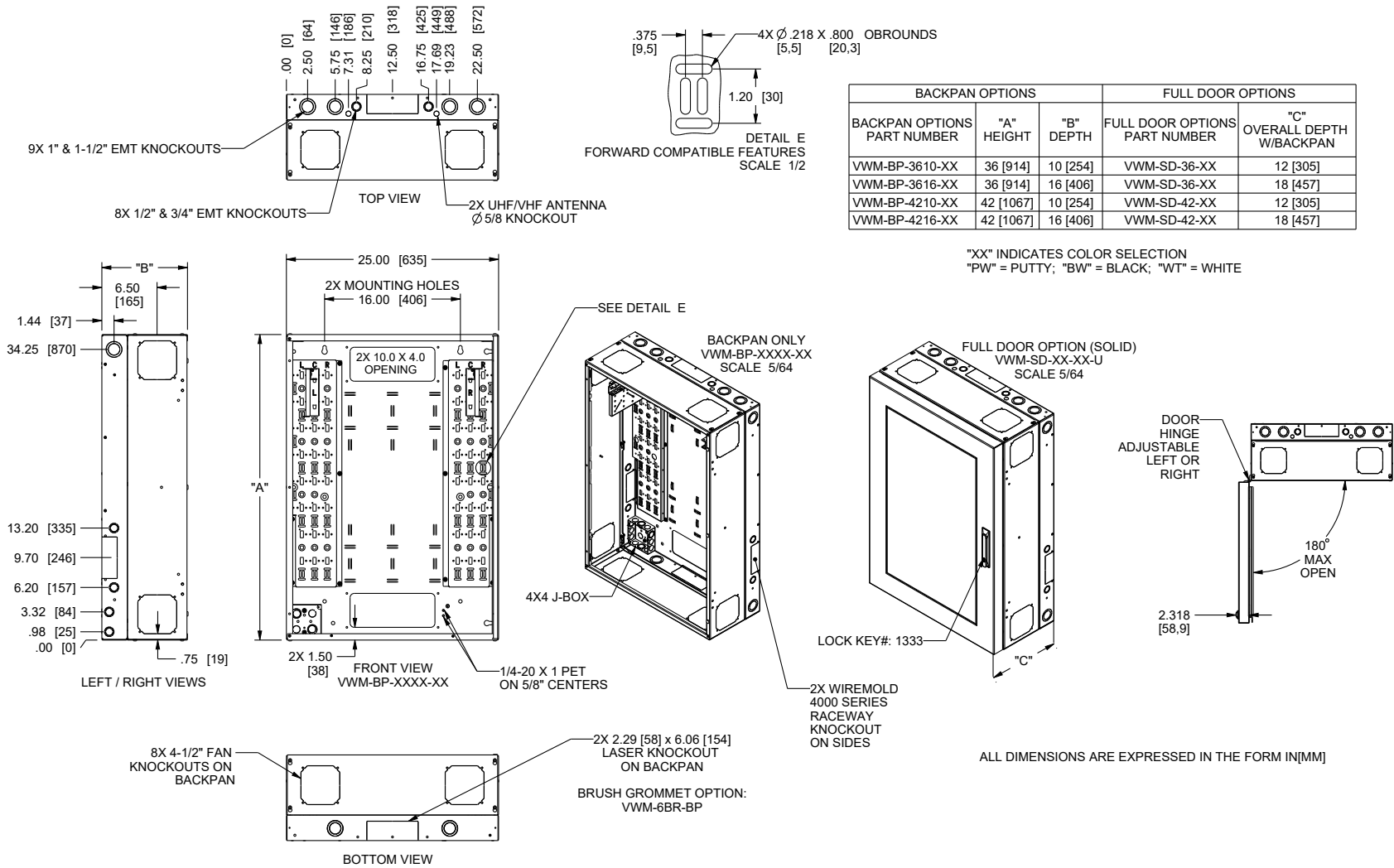
## SPECIFICATIONS

EIA compliant 19" vertical wall cabinet shall be Middle Atlantic Products model # VWM-\_\_ (refer to chart). Overall dimensions shall be \_\_" W x \_\_" H x \_\_" D (refer to chart). VWM Series shall be fully welded, constructed of steel and finished in a durable \_\_ (black, putty, white, refer to chart) powder coat. VWM Series shall have a weight capacity of 150 lbs. VWM series shall have a backpan capable of accommodating LeverLock small device mounting brackets, power distribution, fixed rail shall have a weight capacity of 150 lbs. and pivoting rail shall have a weight capacity of 20 lbs. with \_\_ (refer to chart) rackspaces, all rail to be 10-32 threaded and cage nut in universal EIA spacing with black e-coat finish. VWM Series Rackrail shall be adjustable left to right and top to bottom within the constraints of the backpan mounting positions and provide a maximum usable depth of \_\_" (refer to chart). VWM series shall include a 2-gang electrical box and 1/4-20 grounding and bonding stud. VWM Series backpan shall have 4 qty 4-1/2" fan knockouts. VWM Series cable management features shall include abundant cable tie points and knockouts on top, bottom and sides for electrical connections. VWM Series shall accept split front door with solid or pexiglass pivoting section with each section keyed separately, model # VWM-S\_D-\_\_-\_\_ (refer to chart) or solid front door, model # VWM-SD-\_\_-\_\_ (refer to chart). VWM Series front door shall accept Leverlock small device mounting bracket, model # LL-VWM-\_\_S\_ (refer to chart) with a weight capacity of 30 lbs. VWM series shall include one pair of power mounting brackets that accept PDT and PD Series slim vertical power. VWM Series shall be available preconfigured, model # VWM-\_\_ and include front door, rackrail, and be finished in a durable \_\_ powder coat (refer to chart). VWM Series shall be UL Listed to UL 2416 in the US and CSA C22.2 No. 60950-1 in Canada. VWM Series shall be manufactured by an ISO 9001 and ISO 14001 registered company. Rack shall be warrantied to be free from defects in material or workmanship under normal use and conditions for the lifetime of the product.



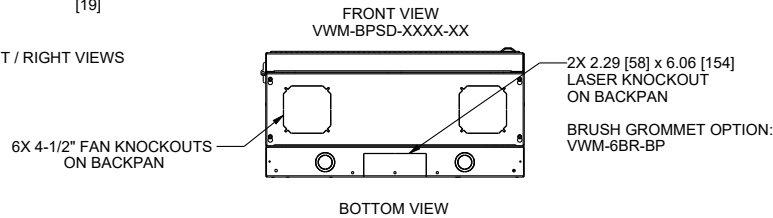
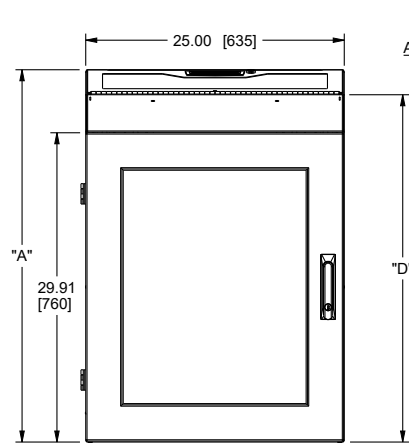
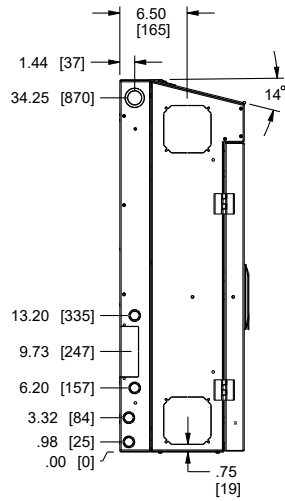
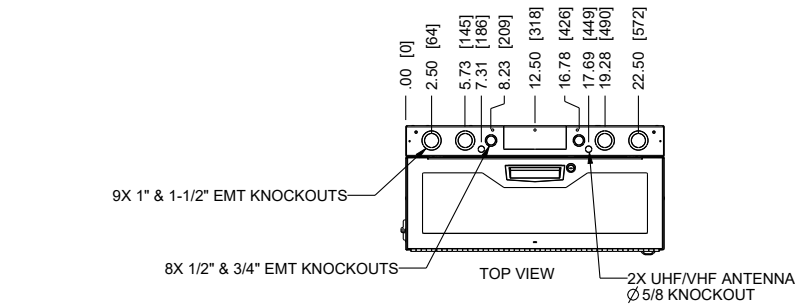
# VWM Series

## BASIC DIMENSIONS



# VWM Series

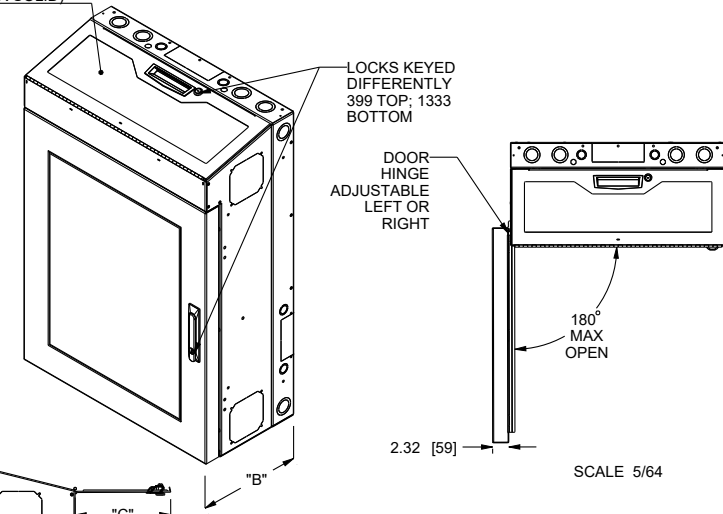
## BASIC DIMENSIONS



SPLIT DOOR OPTIONS						
FITS X" DEPTH BACKPAN	SPLIT DOOR PART NUMBER	PIVOT DOOR OPTION	"A" HEIGHT	"B" OVERALL DEPTH	"C" SPLIT DOOR CLEARANCE	"D" FRONT HEIGHT
VWM-BPSD-3610-XX	VWM-SPD-3610XX	PLEXI	36 [914]	12 [305]	9.20 [234]	33.58 [853]
VWM-BPSD-3616-XX	VWM-SPD-3616XX	PLEXI	36 [914]	18 [457]	15.39 [391]	33.58 [853]
VWM-BPSD-3610-XX	VWM-SSD-3610XX	SOLID	36 [914]	12 [305]	9.20 [234]	33.58 [853]
VWM-BPSD-3616-XX	VWM-SSD-3616XX	SOLID	36 [914]	18 [457]	15.39 [391]	33.58 [853]
VWM-BPSD-4210-XX	VWM-SPD-4210XX	PLEXI	42 [1067]	12 [305]	9.20 [234]	39.58 [1005]
VWM-BPSD-4216-XX	VWM-SPD-4216XX	PLEXI	42 [1067]	18 [457]	15.39 [391]	39.58 [1005]
VWM-BPSD-4210-XX	VWM-SSD-4210XX	SOLID	42 [1067]	12 [305]	9.20 [234]	39.58 [1005]
VWM-BPSD-4216-XX	VWM-SSD-4216XX	SOLID	42 [1067]	18 [457]	15.39 [391]	39.58 [1005]

"XX" INDICATES COLOR SELECTION  
"PW" = PUTTY; "BW" = BLACK; "WT" = WHITE

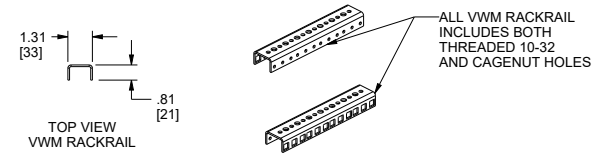
SPLIT DOOR OPTION  
INCLUDES BOTTOM SOLID DOOR  
AND TOP PIVOTING DOOR (PLEXI OR SOLID)



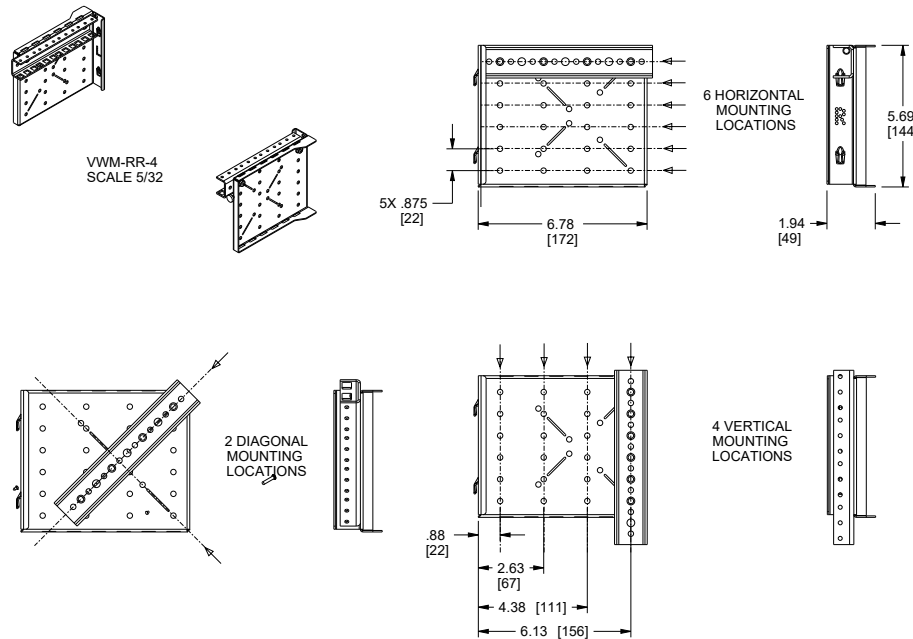
# VWM Series

## BASIC DIMENSIONS

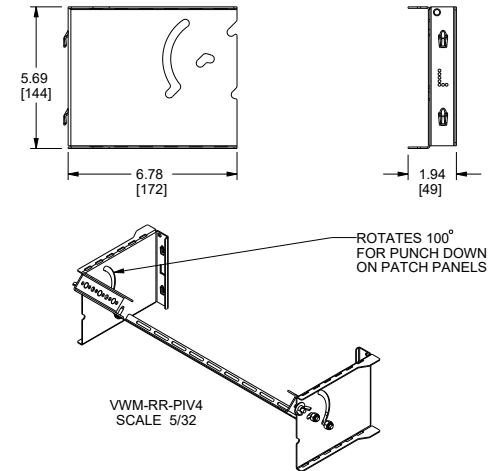
RACKRAIL OPTIONS					
PART NUMBER	BRACKET TYPE	USABLE RACKSPACES	MOUNTING CONFIGURATIONS	FITS 10" DEEP BACKPAN WITH DOOR OPTION?	FITS 16" DEEP BACKPAN WITH DOOR OPTION?
VWM-RR-2	FIXED	2	HORIZONTAL VERTICAL DIAGONAL	YES	YES
VWM-RR-4	FIXED	4		YES	YES
VWM-RR-5	FIXED	5		YES	YES
VWM-RR-6	FIXED	6		NO	YES
VWM-RR-8	FIXED	8		NO	YES
VWM-RR-PIV-2	PIVOTING	2	- 45°	YES	YES
VWM-RR-PIV-4	PIVOTING	4		YES	YES



VWM FIXED MOUNTING BRACKET RIGHT  
RAIL POSITION OPTIONS



VWM PIVOTING MOUNTING BRACKET LEFT



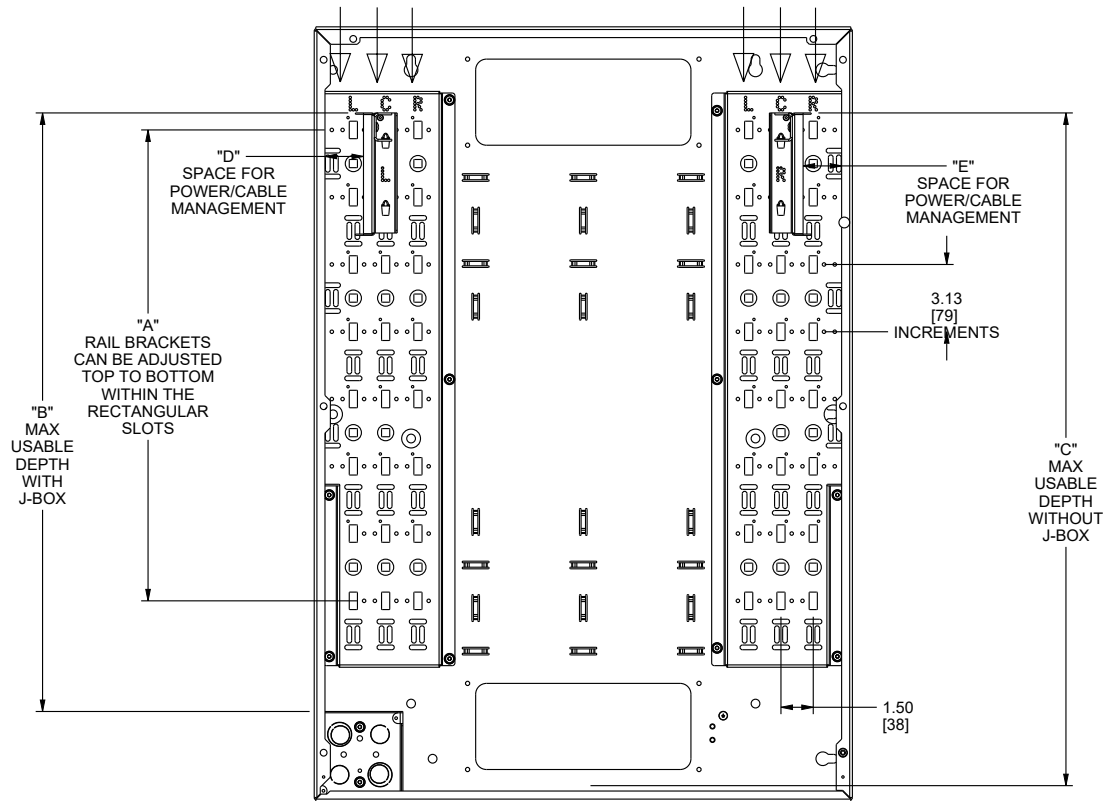
ALL DIMENSIONS ARE EXPRESSED IN THE FORM I[MM]

# VWM Series

## BASIC DIMENSIONS

### MOUNTING BRACKET ADJUSTABILITY

RAIL BRACKETS CAN BE JUSTIFIED LEFT, CENTER, OR RIGHT



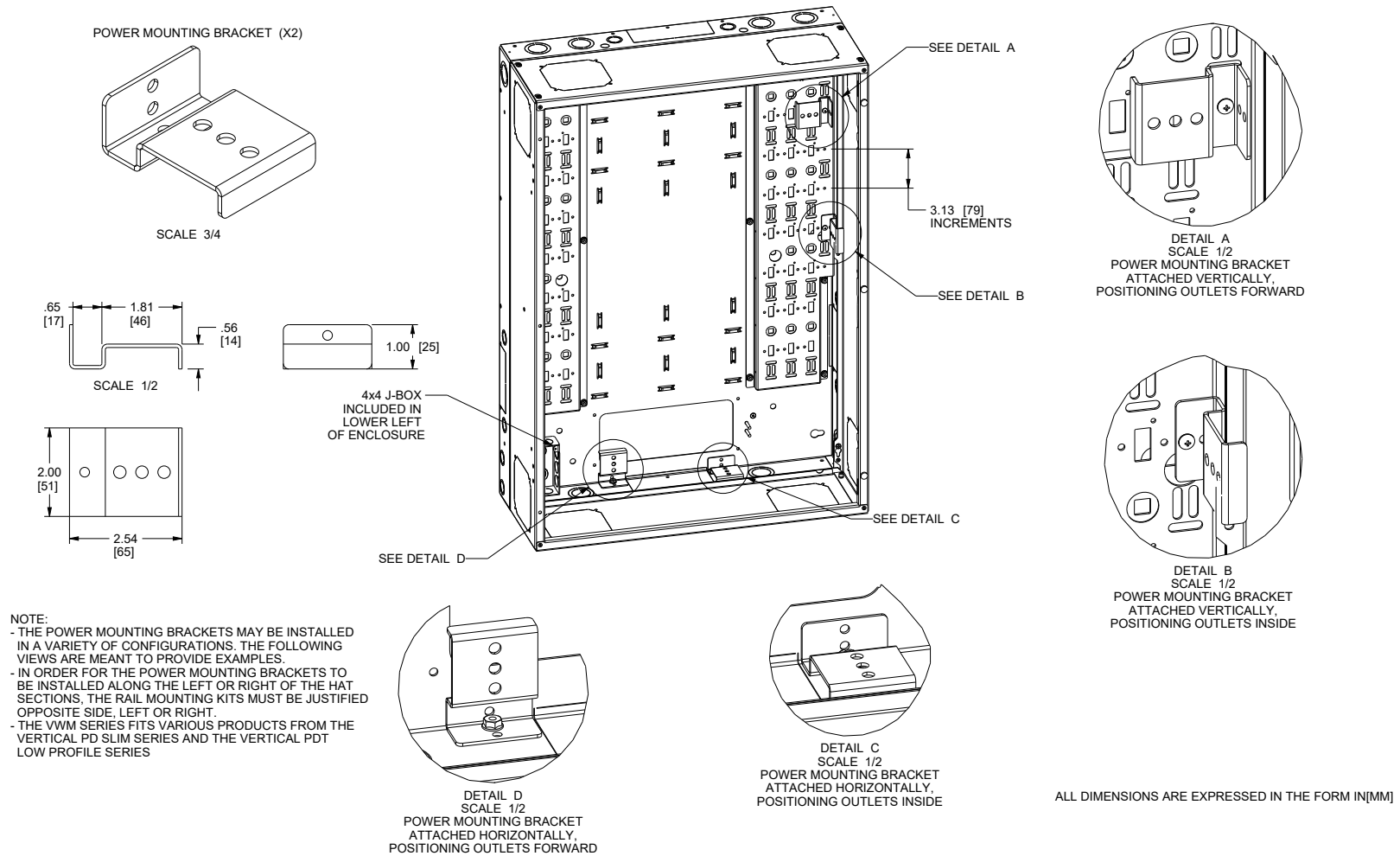
RACKRAIL MOUNTING BRACKET ADJUSTABILITY			
PART NUMBER	"A" RANGE OF ADJUSTABILITY	"B" MAXIMUM USABLE DEPTH WITH J-BOX	"C" MAXIMUM USABLE DEPTH W/O J-BOX
VWM-36-XX-XX	21.88 [556]	27.80 [706]	31.47 [799]
VWM-42-XX-XX	27.88 [708]	33.80 [859]	37.47 [952]

NOTE: MAXIMUM USABLE DEPTH ASSUMES FIXED MOUNTING BRACKET IS ASSEMBLED IN THE TOP-MOST POSITION AND RACKRAIL IS ASSEMBLED HORIZONTALLY IN THE TOP-MOST POSITION

RACKRAIL MOUNTING BRACKET LOCATION	"D" SPACE FOR POWER/ CABLE MANAGEMENT	"E" SPACE FOR POWER/ CABLE MANAGEMENT
LEFT	0.29 [7]	3.29 [84]
CENTER	1.79 [45]	1.79 [45]
RIGHT	3.29 [84]	0.29 [7]

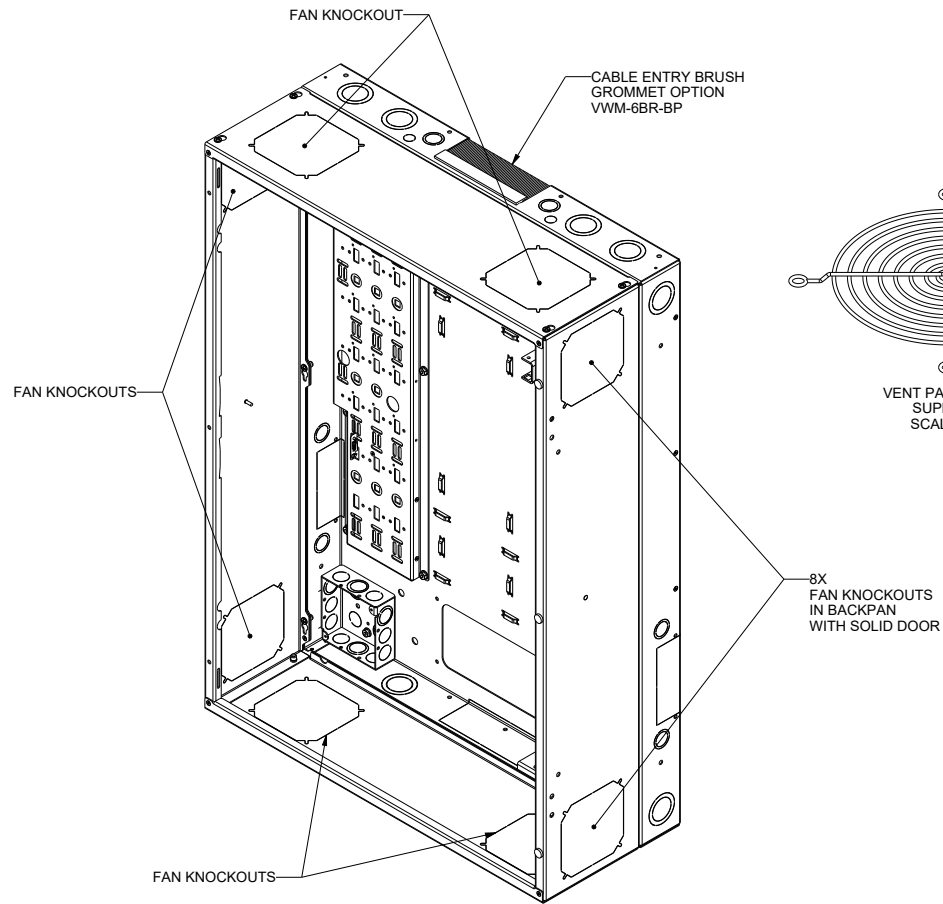
# VWM Series

## BASIC DIMENSIONS

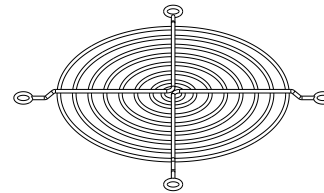


# VWM Series

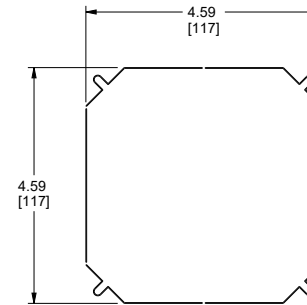
## BASIC DIMENSIONS



TOTAL FAN KNOCKOUTS	
PRODUCT CONFIGURATION	TOTAL # OF FAN KNOCKOUTS
BACKPAN WITH SOLID DOOR	8
BACKPAN WITH SPLIT DOOR	6



VENT PANELS (X4)  
SUPPLIED  
SCALE 1/2



SCALE 1/2  
FAN/VENT KNOCKOUT

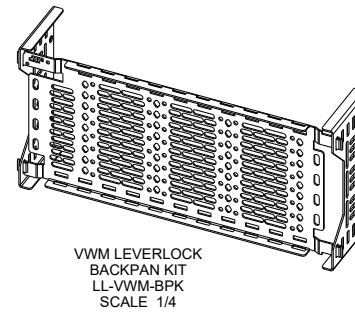
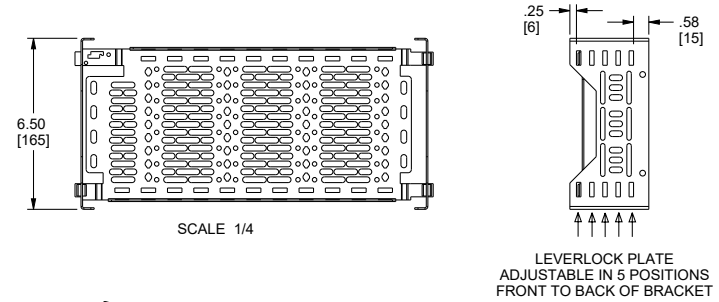
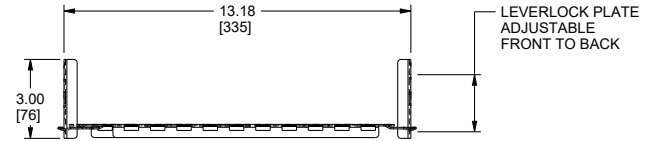
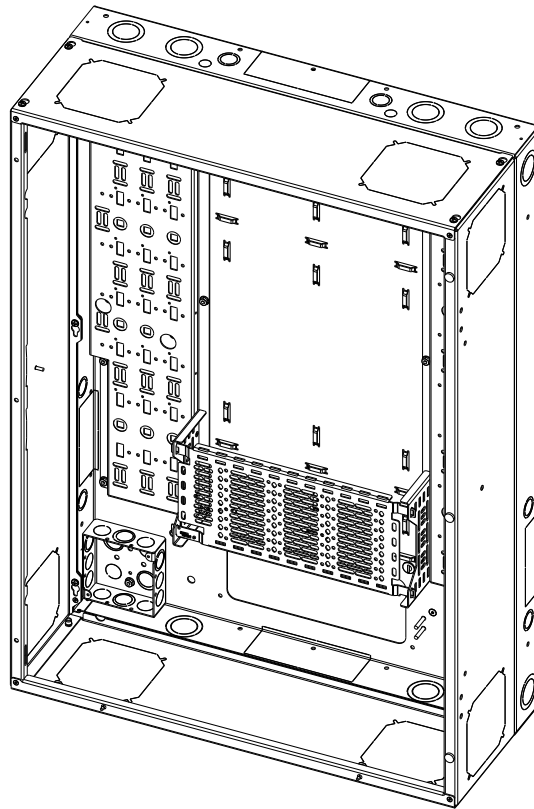
ALL DIMENSIONS ARE EXPRESSED IN THE FORM IN[MM]



# VWM Series

## BASIC DIMENSIONS

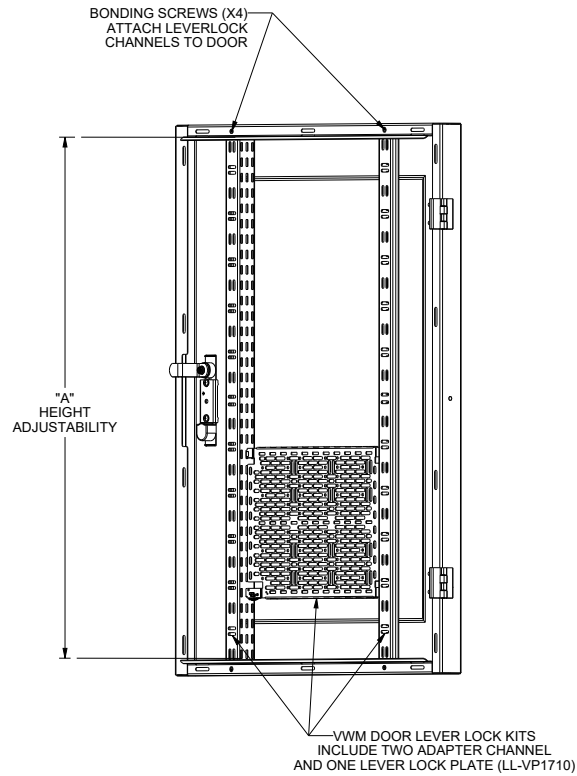
NOTE: ALL BACKPAN OPTIONS HAVE 3 MOUNTING POSITIONS FOR VWM LEVERLOCK KITS (LL-VWM-BPK). HOWEVER ALL BACKPAN OPTIONS WILL ACCEPT A MAXIMUM OF 2 VWM LEVERLOCK KITS (LL-VWM-BPK) ONE LEVERLOCK KIT (LL-VWM-BPK) INCLUDED WITH EACH BACKPAN.



ALL DIMENSIONS ARE EXPRESSED IN THE FORM IN[MM]

# VWM Series

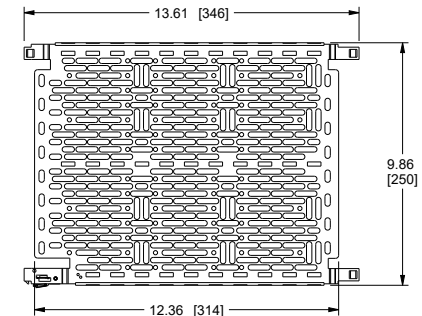
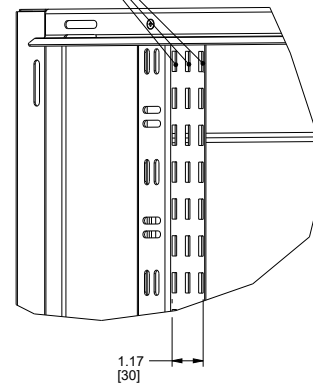
## BASIC DIMENSIONS



LEVER LOCK DOOR KITS		
PART NUMBER	FITS	"A" HEIGHT ADJUSTABILITY
LL-VWM-36SP	36 SPLIT DOOR	27.55 [686]
LL-VWM-36S-42SP	36 SOLID/42 SPLIT	33.55 [852]
LL-VWM-42S	42 SOLID DOOR	39.55 [1005]

ANY VERTICAL 17" LEVER LOCK OPTION (LL-VX17)  
WILL FIT HORIZONTALLY BETWEEN THE VWM DOOR  
LEVER LOCK ADAPTER CHANNEL

3 SLOTS  
FOR ADJUSTABILITY  
FRONT TO BACK



SCALE 1/4  
LL-VP1710 INCLUDED  
IN VWM DOOR LEVER LOCK KITS

SCALE 3/8  
LEVER LOCK  
ADAPTER CHANNEL  
DETAIL VIEW

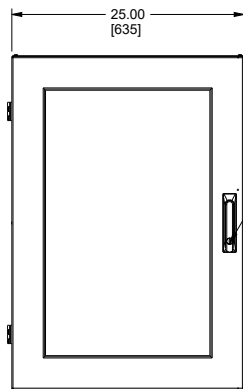
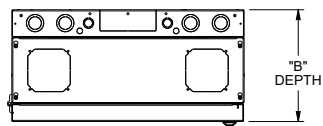
ALL DIMENSIONS ARE EXPRESSED IN THE FORM IN[MM]

# VWM Series

## BASIC DIMENSIONS

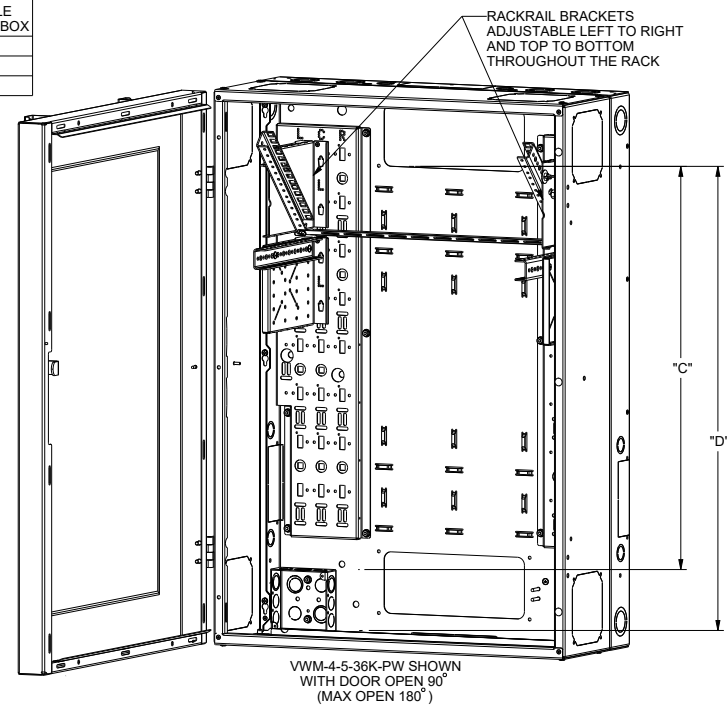
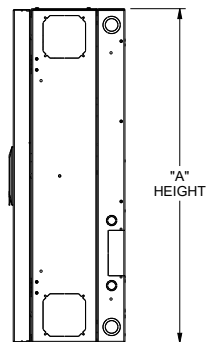
PRE-CONFIGURED HORIZONTAL DISTRIBUTION RACKS							
PART NUMBER	COLOR	USABLE PIVOT RACKSPACES	FIXED RACKSPACES	"A" HEIGHT	"B" DEPTH	"C" MAXIMUM USABLE DEPTH WITH J-BOX	"D" MAXIMUM USABLE DEPTH WITHOUT J-BOX
VWM-2-2-36K-PW	PUTTY	2	2	36 [914]	12 [305]	27.80 [706]	31.47 [799]
VWM-4-5-36K-PW	PUTTY	4	5	36 [914]	12 [305]	27.80 [706]	31.47 [799]
VWM-4-5-42K-PW	PUTTY	4	5	42 [1067]	12 [305]	33.80 [859]	37.47 [952]

NOTE: MAXIMUM USABLE DEPTH ASSUMES FIXED MOUNTING BRACKET IS ASSEMBLED IN THE TOP-MOST POSITION AND RACKRAIL IS ASSEMBLED HORIZONTALLY IN THE TOP-MOST POSITION



SCALE 3/32

LOCK KEY#: 1333



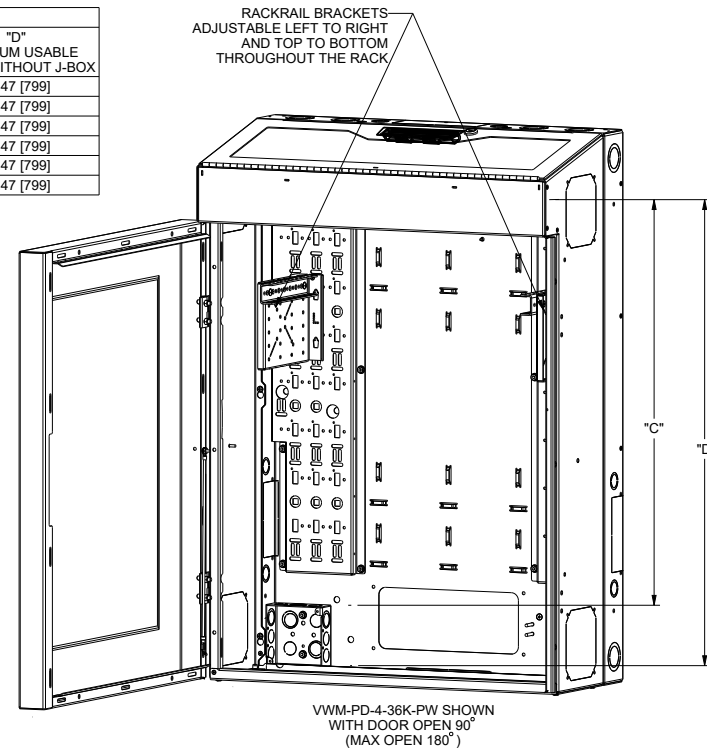
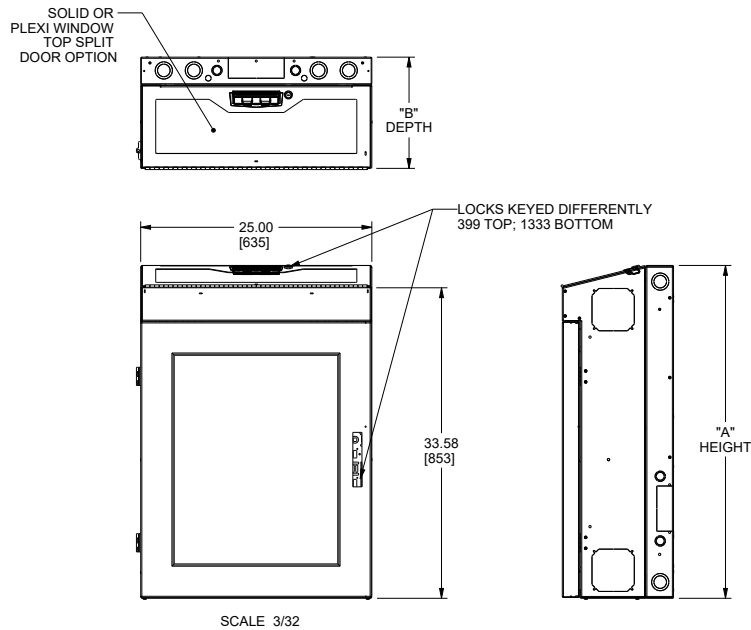
ALL DIMENSIONS ARE EXPRESSED IN THE FORM I[MM]

# VWM Series

## BASIC DIMENSIONS

PRE-CONFIGURED LOW PROFILE WALL RACKS							
PART NUMBER	COLOR	TOP SPLIT DOOR	FIXED RACKSPACES	"A" HEIGHT	"B" DEPTH	"C" MAXIMUM USABLE DEPTH WITH J-BOX	"D" MAXIMUM USABLE DEPTH WITHOUT J-BOX
VWM-SD-4-36K-BW	BLACK	SOLID	4	36 [914]	12 [305]	27.80 [706]	31.47 [799]
VWM-SD-6-36K-BW	BLACK	SOLID	6	36 [914]	18 [457]	27.80 [706]	31.47 [799]
VWM-SD-8-36K-BW	BLACK	SOLID	8	36 [914]	18 [457]	27.80 [706]	31.47 [799]
VWM-PD-4-36K-PW	PUTTY	PLEXI	4	36 [914]	12 [305]	27.80 [706]	31.47 [799]
VWM-PD-6-36K-PW	PUTTY	PLEXI	6	36 [914]	18 [457]	27.80 [706]	31.47 [799]
VWM-PD-8-36K-PW	PUTTY	PLEXI	8	36 [914]	18 [457]	27.80 [706]	31.47 [799]

NOTE: MAXIMUM USABLE DEPTH ASSUMES FIXED MOUNTING BRACKET IS ASSEMBLED IN THE TOP-MOST POSITION AND RACKRAIL BRACKET IS ASSEMBLED HORIZONTALLY IN THE TOP-MOST POSITION



WHAT GREAT SYSTEMS ARE BUILT ON™ | [legrandav.com](http://legrandav.com)

USA 800.266.7225 [av.middleatlantic.support@legrand.com](mailto:av.middleatlantic.support@legrand.com) CANADA 888.766.9770 [av.middleatlantic.support@legrand.com](mailto:av.middleatlantic.support@legrand.com)

©2023 Legrand AV Inc. 96-01241 Rev D 10/23 Middle Atlantic is a registered trademark of Legrand AV Inc. All other brand names or marks are used for identification purposes and are trademarks of their respective owners. All patents are protected under existing designations. Other patents pending.

# Filter Kit (FILTER-R-4-2K)

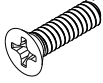
## BASIC DIMENSIONS

**KIT INCLUDES:**

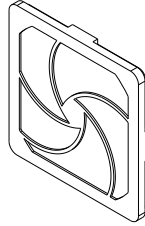
4X NUTS



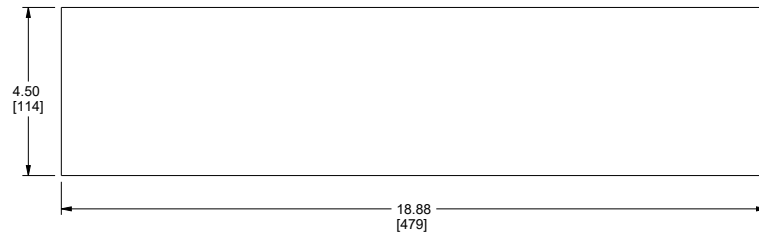
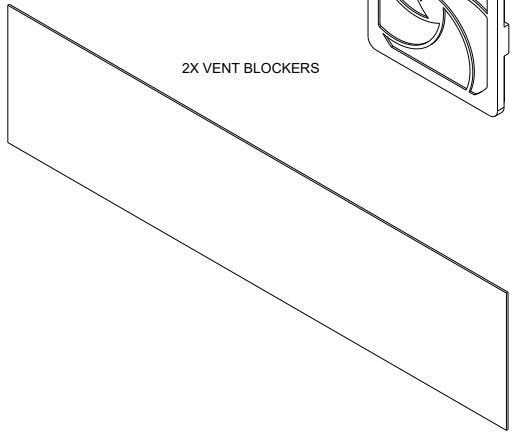
4X SCREWS



2X FILTERS

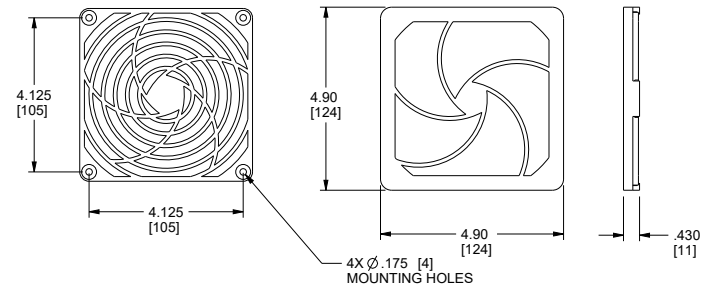
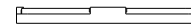
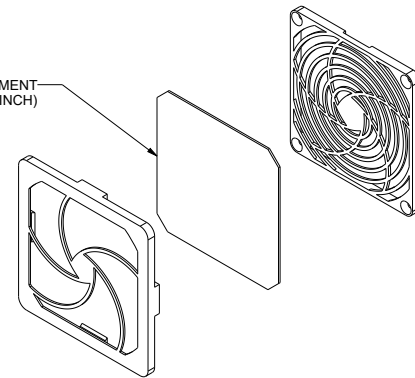


2X VENT BLOCKERS



NOTE(S):  
1) ALL DIMENSIONS IN FORMAT: INCHES [MILLIMETERS]

REPLACABLE ELEMENT  
45 PPI (PORES PER INCH)



LEGRAND | AV COMMERCIAL BRANDS  
C2G | Chief | Da-Lite | Luxul | Middle Atlantic | Vaddio | Wiremold

WHAT GREAT SYSTEMS ARE BUILT ON™ | [legrandav.com](http://legrandav.com)

USA 800.266.7225 [av.middleatlantic.support@legrand.com](mailto:av.middleatlantic.support@legrand.com) CANADA 888.766.9770 [av.middleatlantic.support@legrand.com](mailto:av.middleatlantic.support@legrand.com)

©2023 Legrand AV Inc. 230815 120-00047 Rev A 10/23 Middle Atlantic is a registered trademark of Legrand AV Inc. All other brand names or marks are used for identification purposes and are trademarks of their respective owners. All patents are protected under existing designations. Other patents pending.