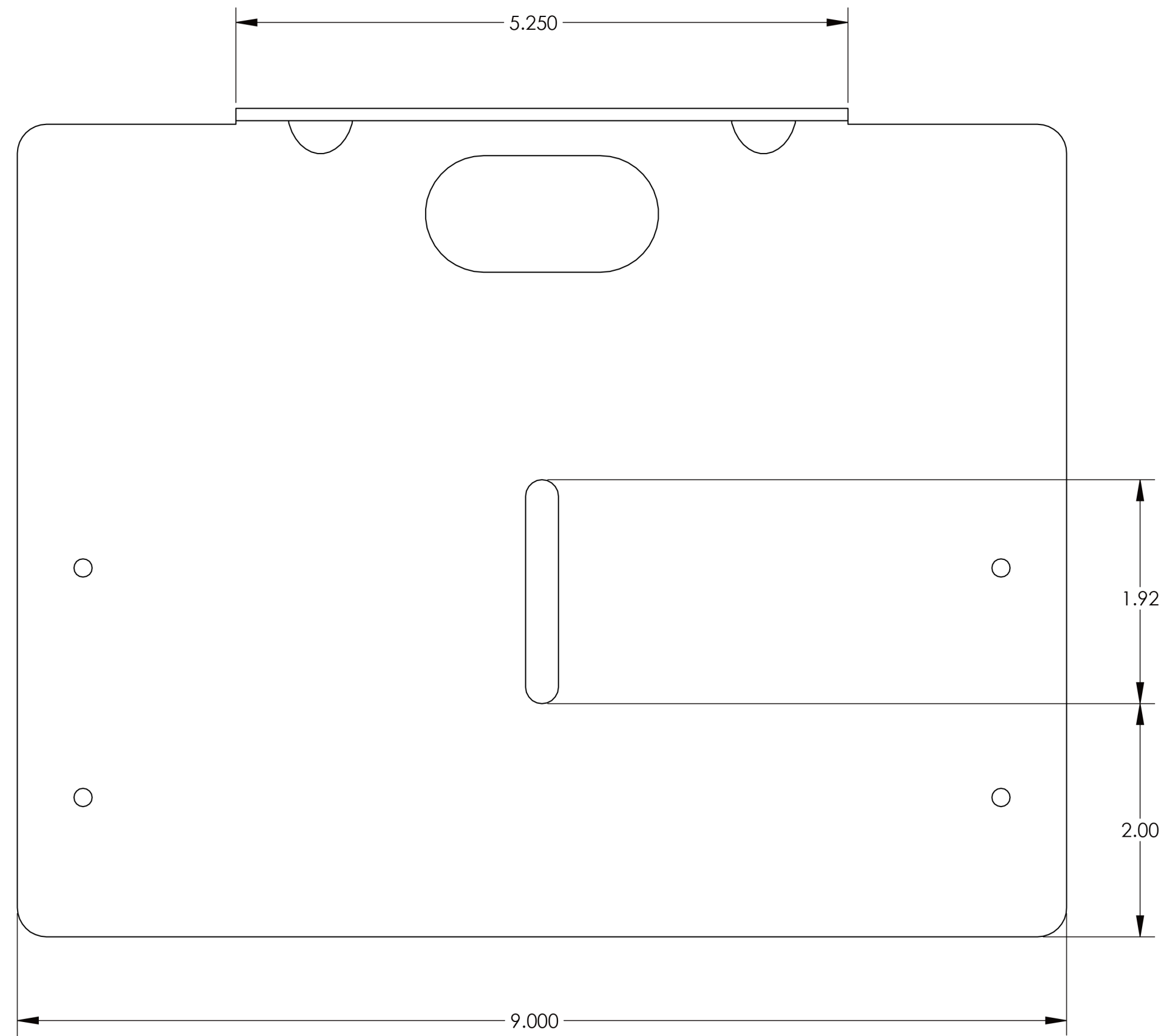
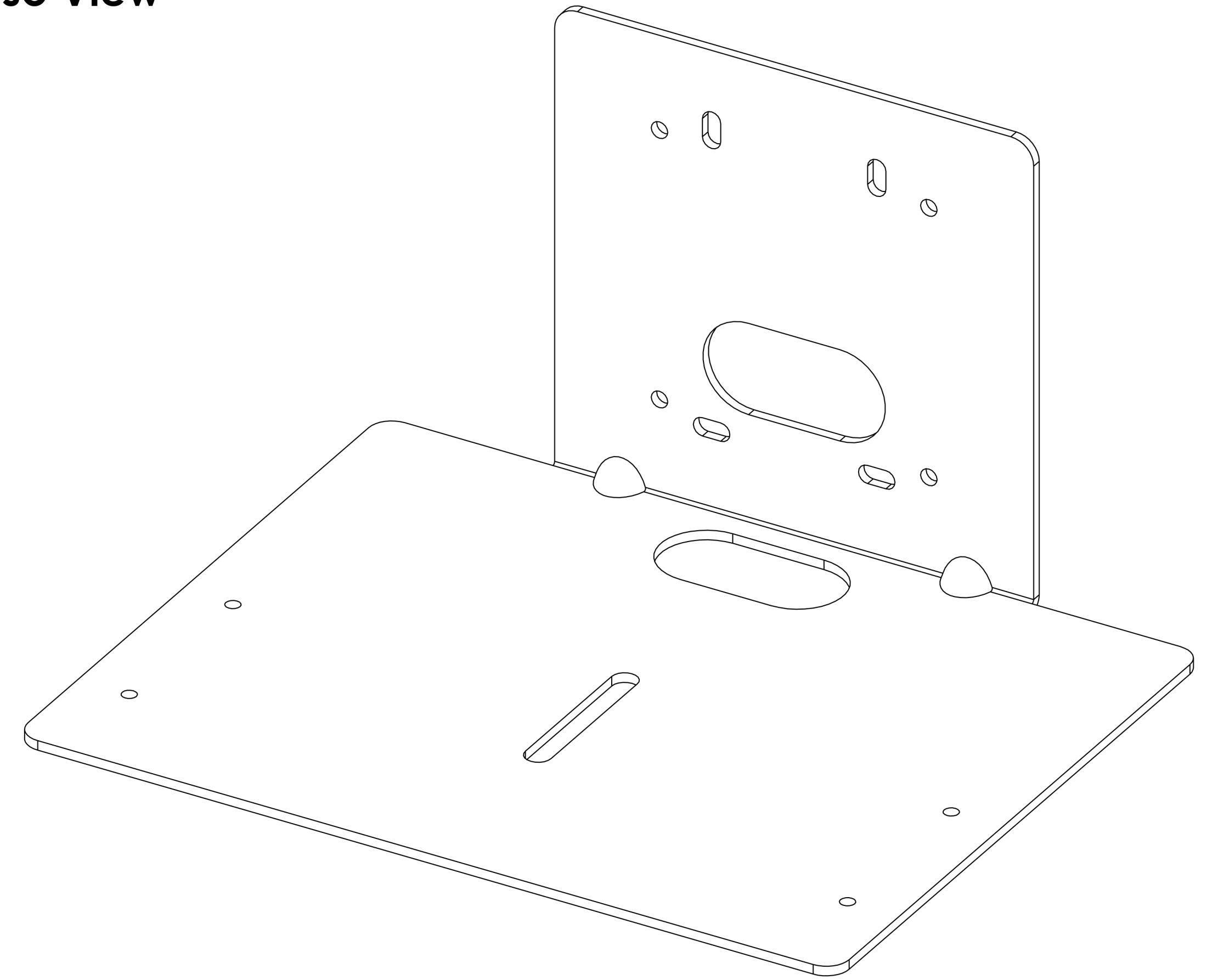


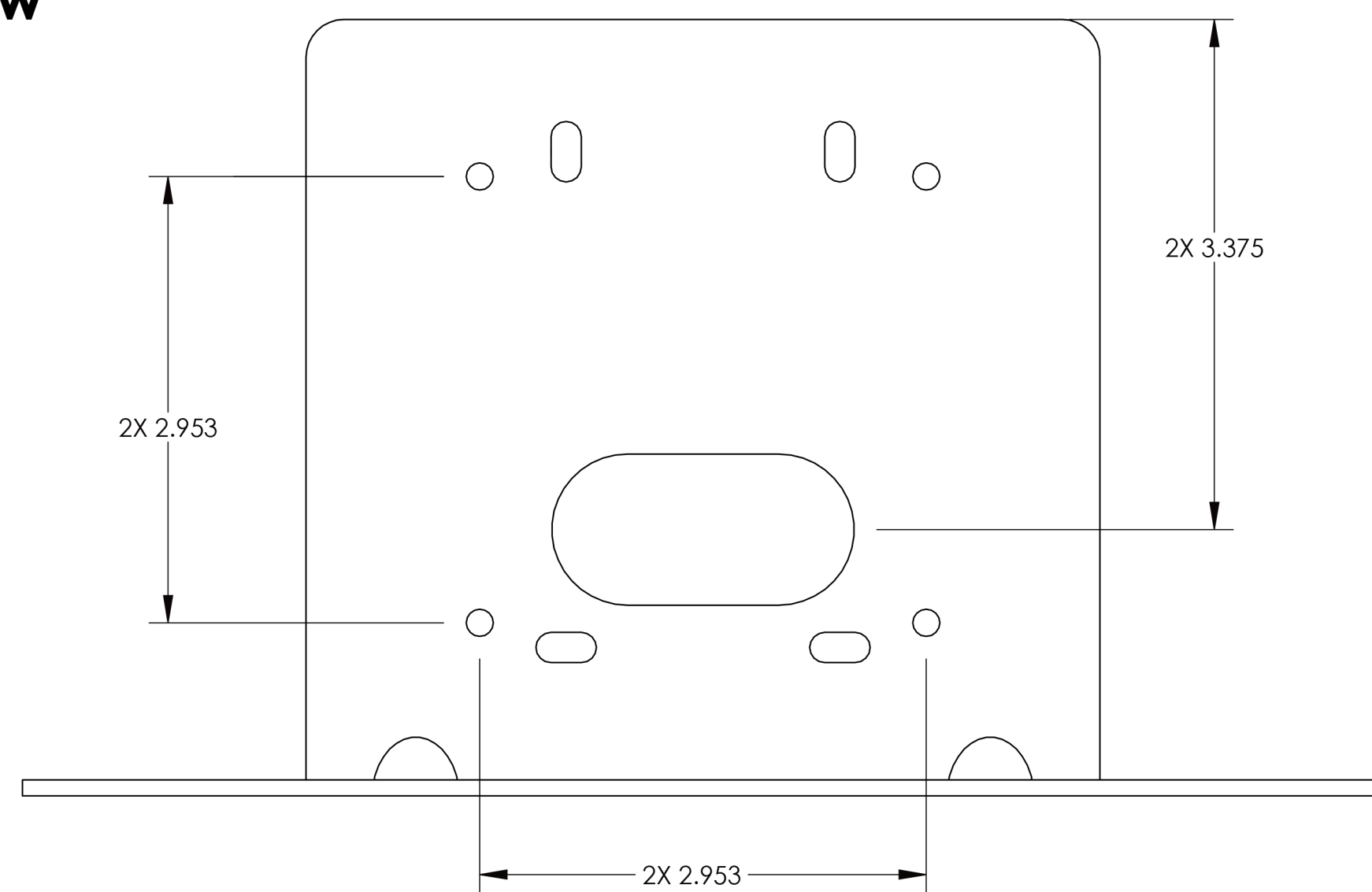
Top View



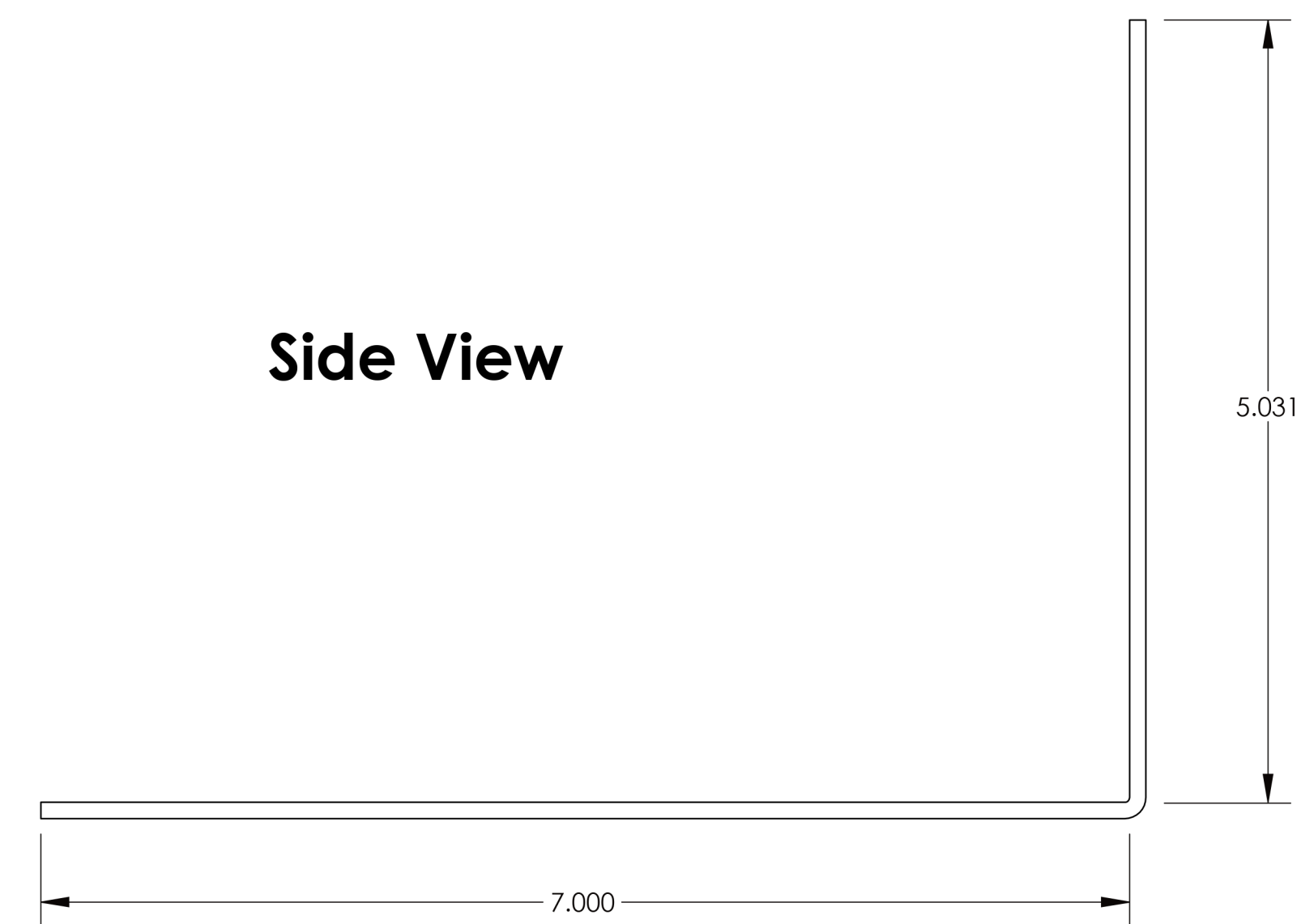
Iso View



Front View



Side View



UNLESS OTHERWISE NOTED: DIMENSIONS ARE IN INCHES DIMENSIONAL LIMITS APPLY AFTER FINISH		THIS DRAWING, INCLUDING ALL SUBJECT MATTERS INDICATED THEREON OR DERIVED THEREFROM, COMPRSES PROPRIETARY INFORMATION AND IS THE EXPRESS PROPERTY OF VADDIO LLC. EMPLOYMENT, REPRODUCTION OF OR DISSEMINATION OF THIS DRAWING IN WHOLE OR IN PART, WITHOUT WRITTEN PERMISSION OF VADDIO LLC IS STRICTLY FORBIDDEN.	
MACHINED SURFACES		vaddio	
FRACTIONS ± 1/32	DRAWN WLF	CHECKED	APPROVED
ANGLES ± 1°	MATERIAL 12 GA (.105 THK) STEEL	DATE 3/13/17	SIZE D
DEC. .XX = ± .015	FINISH NOTED	SCALE	
.XXX = ± .005			
.XXXX = ± .0002			
TITLE PREC HD/60 & EAGLEEYE WALL MOUNT	SHEET 1 OF 1	DRAWING NO. 2000-251	REV. A