

# NEXSYS™

## Compact PDU



### FEATURES

- **Oh Snap! It's Compact!** The compact design of this NEXSYS PDU is perfect for "behind-the-display" applications, especially digital signage.
- **It's very flexible.** The NEXSYS Compact PDU includes (2) mounting options for mounting flexibility, a clamp and L-brackets.
  - Easily attach both mounting solutions to a Lever Lock™ plate for tool-free mounting inside a rack, kiosk, in-wall box, etc.
- **Enhanced Series Surge Protection** Industry's fastest patented non-degrading surge technology Protects equipment without contaminating system ground Industry-leading 12 year warranty 100% MOV-free design – unlike any competitive offering
- **Worried about the under/over voltage? Don't.** With the selectable on/off voltage protection from the dry contact port, it gives the option to protect sensitive equipment from over/under voltage scenarios.
  - If the voltage protection is on and an over or under voltage event happens the outlets will automatically be turned off to protect the equipment. Once the power restores within the acceptable voltage range the PDU will automatically turn the outlets back on.
- **IEC Inlet:** Allows for cleaner cable management by selecting your desired length of power cord.
  - A standard 2' cord is included with all models

### SPECIFICATIONS

#### NEXSYS Compact

Compact power distribution unit shall be Middle Atlantic Products model # PDX-\_\_\_ (refer to chart), with a \_\_\_ amp power capacity (refer to chart), multi-stage MOV surge and spike protection L – N with no surge diversion to ground or patented non-sacrificial Series Surge with EMI filtering. Compact power distribution unit shall operate on 120 volt AC 60Hz frequency. Rackmount power distribution unit shall include 2' IEC power cord with NEMA 5-\_\_\_ plug (refer to chart), \_\_\_ outlets (refer to chart), and \_\_\_ amp circuit breaker located on the power distribution unit. Compact power distribution unit shall be controllable via contact closure on the rear of the unit and shall have voltage protection with automatic recovery. Compact power distribution unit shall be manufactured by an ISO 9001 and ISO 14001 registered company.

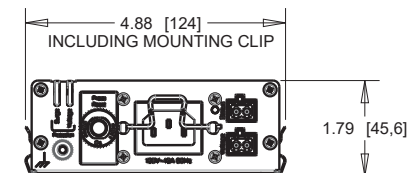
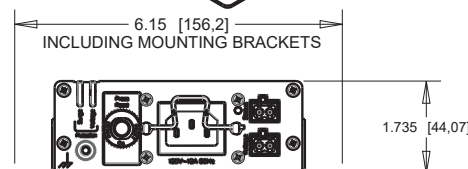
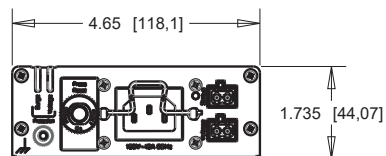
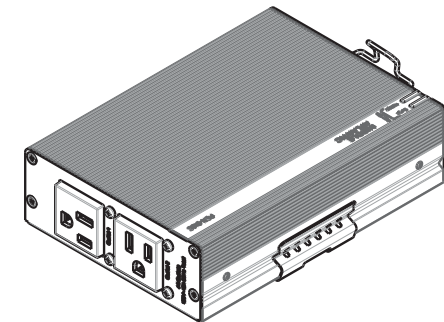
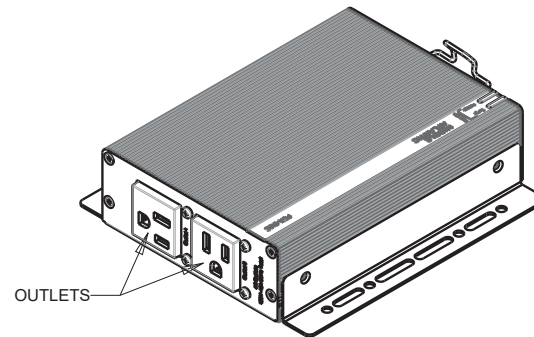
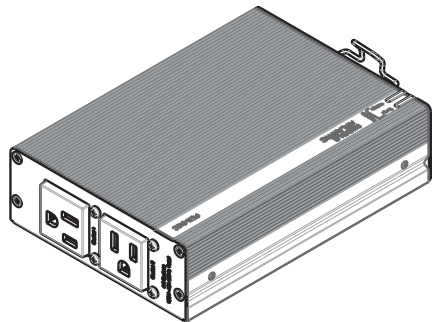
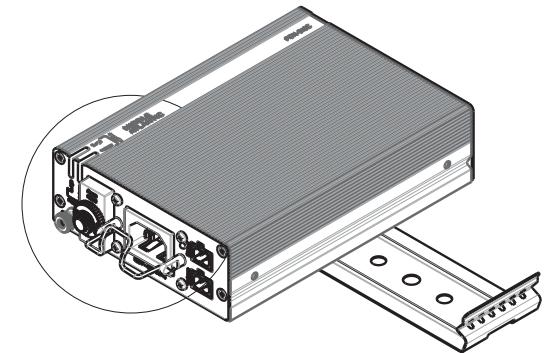
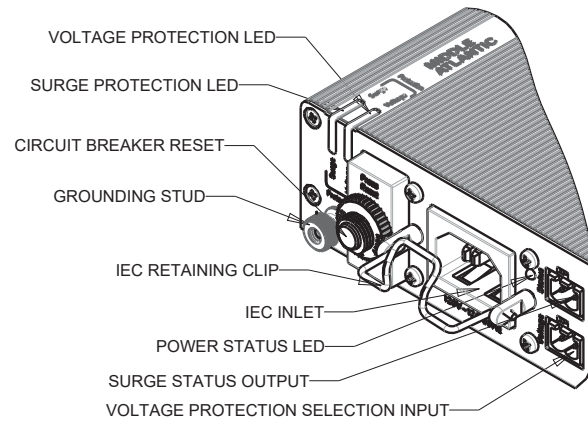
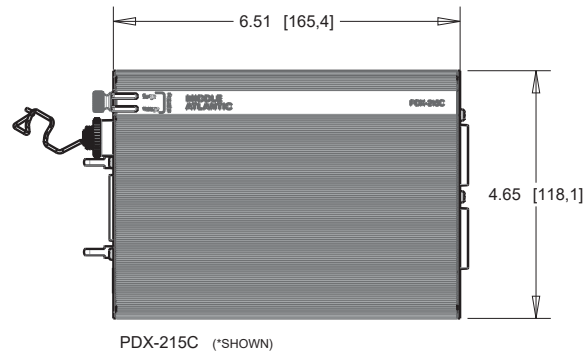
Compact power distribution unit shall be warrantied to be free from defects in materials and workmanship under normal use and conditions for a period of 3 years (multi-stage MOV surge models) and 12 years (Series Surge models). Rackmount power distribution unit shall be UL Listed to UL 62368, UL 1449, UL 1283 (Series Surge Models) and FCC Class B and ICES 7.



# NEXSYS™ 2 Outlet Compact

## Basic Dimensions

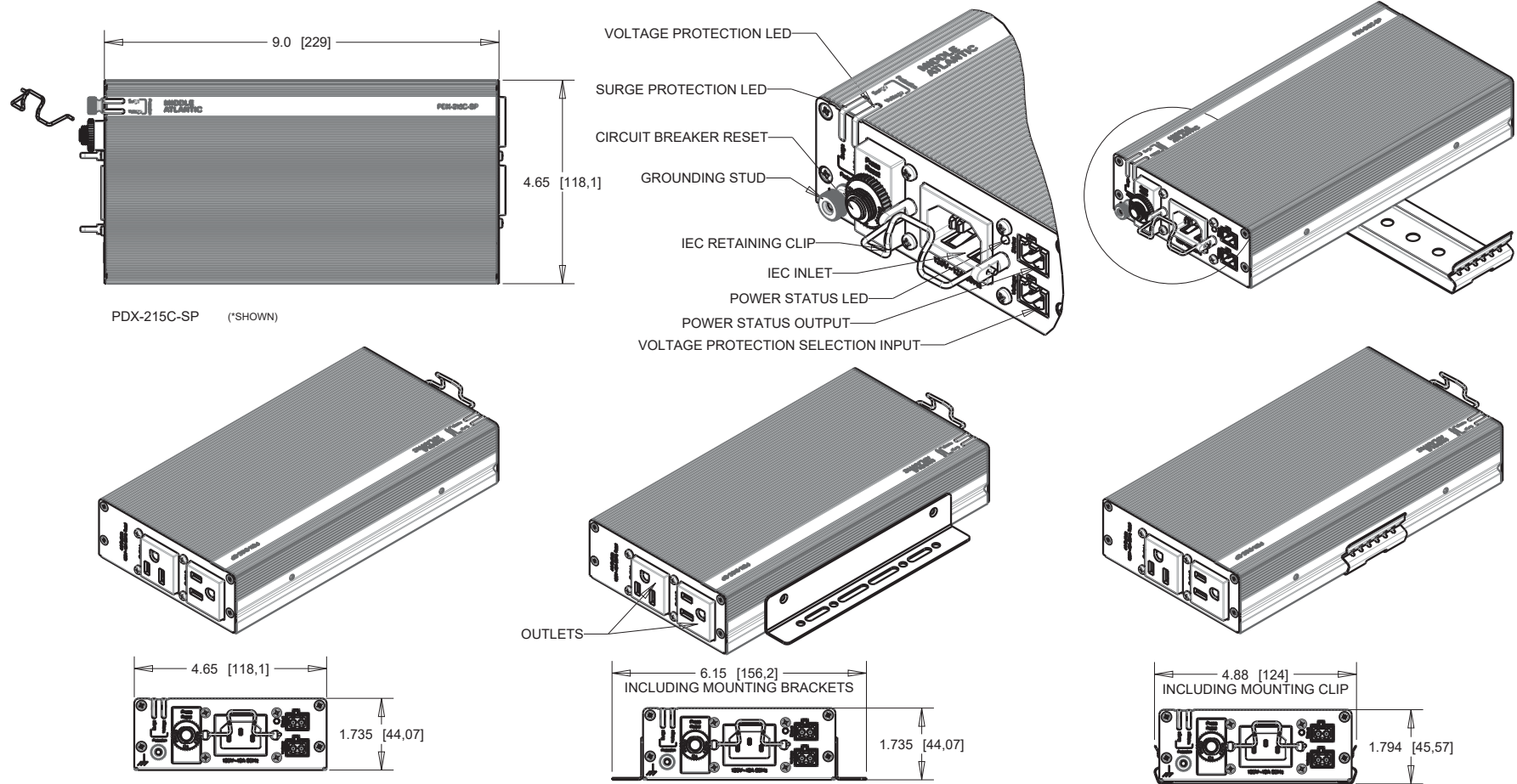
MODEL NUMBER	OUTLETS	RATINGS	SURGE PROTECTION	INLET	CORD LENGTH FT [M]
PDX-215C	2	12A, 120VAC~, 60HZ	MULTI-STAGE MOV	IEC C14	2 [0,6]
PDX-220C	2	16A, 120VAC~, 60HZ	MULTI-STAGE MOV	IEC C20	2 [0,6]



# NEXSYS™ 2 Outlet Compact PDU

## Basic Dimensions

MODEL NUMBER	OUTLETS	RATINGS	SURGE PROTECTION	INLET	CORD LENGTH FT [M]
PDX-215C-SP	2	12A, 120VAC~, 60HZ	SERIES	IEC C14	2 [0.6]
PDX-220C-SP	2	16A, 120VAC~, 60HZ	SERIES	IEC C20	2 [0.6]

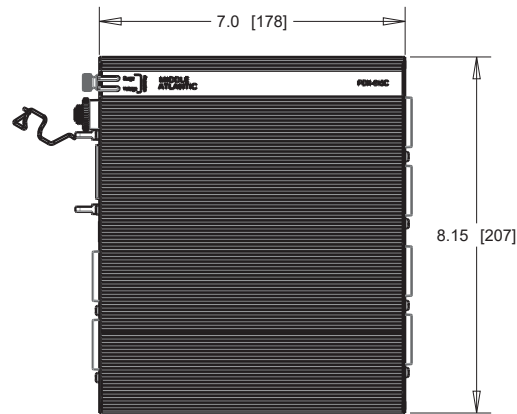


PDX-215C-SP (\*SHOWN)

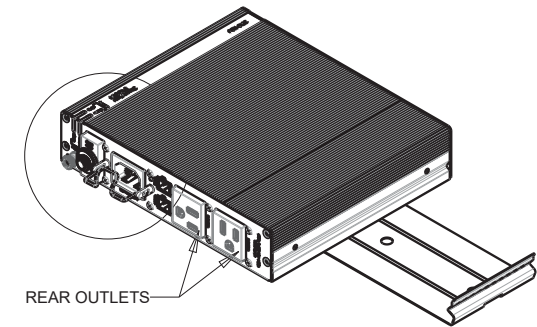
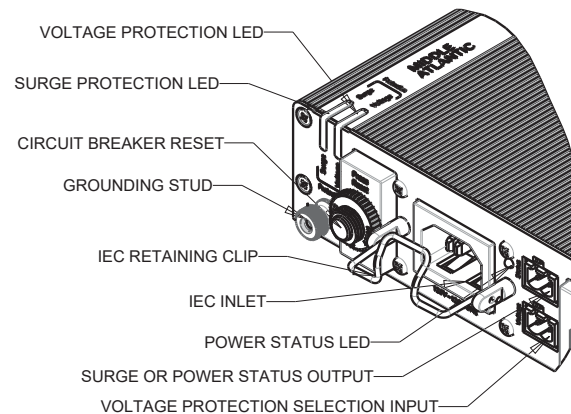
# NEXSYS™ 6 Outlet Compact

## Basic Dimensions

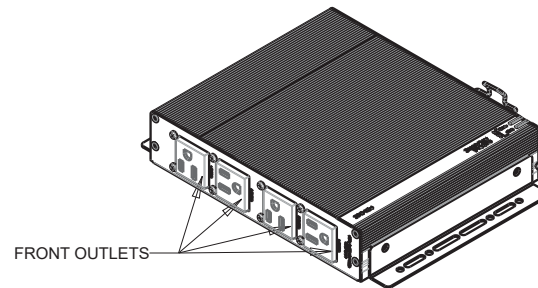
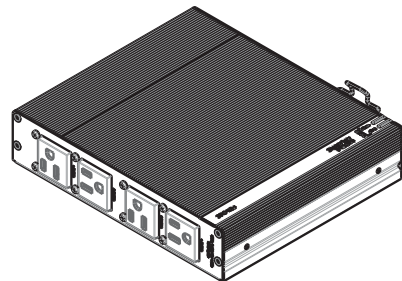
MODEL NUMBER	OUTLETS	RATINGS	SURGE PROTECTION	INLET	CORD LENGTH FT [M]
PDX-615C	6	12A, 120VAC~, 60HZ	MULTI-STAGE MOV	IEC C14	2 [0.6]
PDX-620C	6	16A, 120VAC~, 60HZ	MULTI-STAGE MOV	IEC C20	2 [0.6]
PDX-615C-SP	6	12A, 120VAC~, 60HZ	SERIES	IEC C14	2 [0.6]
PDX-620C-SP	6	16A, 120VAC~, 60HZ	SERIES	IEC C20	2 [0.6]



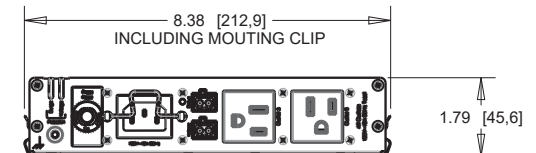
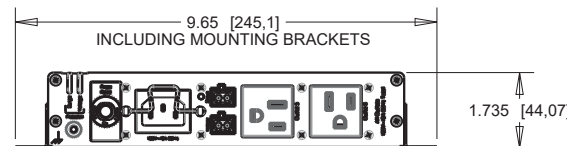
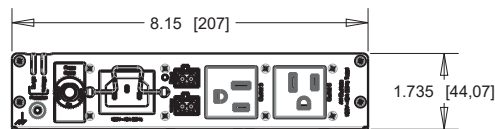
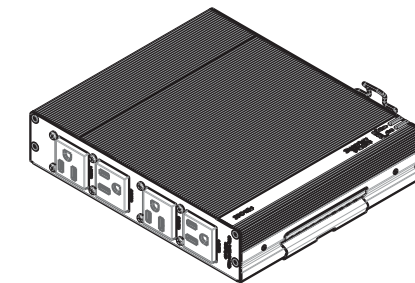
PDX-615C (\*SHOWN)



REAR OUTLETS



FRONT OUTLETS



# Multi-Stage MOV Surge Models

## Electrical Specifications

### Summary

Model	PDX-215C	PDX-220C	PDX-615C	PDX-620C
Nominal Voltage	120VAC			
Voltage Range	Minimum: 80VAC, Maximum: 140VAC			
Frequency	60 Hz			
Maximum Peak Load	15A	20A	15A	20A
Rated Load	12A	16A	12A	16A
Number of Outlets	2		6	
Outlet Type	NEMA 5-15R	NEMA 5-20R	NEMA 5-15R	NEMA 5-20R
Overload Protection	Circuit Breaker			
No Load Power Dissipation	< 1W			
Input Power Cord	IEC to 5-15P, 2' (0.60M)	IEC to 5-20P, 2' (0.60M)	IEC to 5-15P, 2' (0.60M)	IEC to 5-20P, 2' (0.60M)
Certifications	UL 62368, UL 1449, FCC Class B, ICES 7			

### Hardware Features

Model	PDX-215C, PDX-220C, PDX-615C, and PDX-620
Surge Protection	Multi-Stage MOV
Peak Impulse Current (8/20µS Waveform)	45,000 Amps, one time - Maximum peak impulse current pulse as defined between line and neutral. 19,500 Amps, two times within 5 minutes - Maximum multiple impulse current derated per spec.
Protection Mode	Line to Neutral only; no ground contamination.
Response Time	Less than 1 nanosecond.
Surge Energy Dissipation	705 Joules (10/100µS)
Voltage Protection Rating	500V (L-N); Type 3 SPD
EMI/RF Suppression	>20dB Calculated Line to Neutral - 100kHz to 1Mhz - based on nominal impedance.
Overvoltage Threshold	Upper Limit Cutoff: 135V RMS Upper Limit Restore: 126V RMS
Undervoltage Threshold	Lower Limit Cutoff: 100V RMS Lower Limit Restore: 105V RMS

# Multi-Stage MOV Surge Models

## Electrical Specifications

### Physical (Two Outlet Models)

Model	PDX-215C	PDX-220C
Dimensions (Width x Height x Depth)	4.65" (118mm) x 1.735" (44mm) x 6.5" (165mm)	
Product Weight	2.21 lb. (1 kg)	
Shipping Weight	3.53 lb. (1.6 kg)	3.75 lb. (1.7 kg)

### Physical (Six Outlet Models)

Model	PDX-615C	PDX-620C
Dimensions (Width x Height x Depth)	8.15" (207mm) x 1.735" (44mm) x 7" (178mm)	
Product Weight	2.87 lb. (1.3 kg)	
Shipping Weight	5.07 lb. (2.3 kg)	5.29 lb. (2.4 kg)

### Warranty

Model	PDX-215C, PDX-220C, PDX-615C, and PDX-620C
Power Distribution	Three years limited for warranty information, refer to <a href="http://www.legrandav.com/policies/warranty_information">www.legrandav.com/policies/warranty_information</a>

# Series Surge Protection Models

## Electrical Specifications

### Summary

Model	PDX-215C-SP	PDX-220C-SP	PDX-615C-SP	PDX-620C-SP
Nominal Voltage	120VAC			
Voltage Range	Minimum: 80VAC, Maximum: 140VAC			
Frequency	60 Hz			
Maximum Peak Load	15A	20A	15A	20A
Rated Load	12A	16A	12A	16A
Number of Outlets	2		6	
Outlet Type	NEMA 5-15R	NEMA 5-20R	NEMA 5-15R	NEMA 5-20R
Overload Protection	Circuit Breaker			
No Load Power Dissipation	< 1W			
Input Power Cord	IEC to 5-15P, 2' (0.60M)	IEC to 5-20P, 2' (0.60M)	IEC to 5-15P, 2' (0.60M)	IEC to 5-20P, 2' (0.60M)
Certifications	UL 62368, UL 1283, UL 1449, FCC Class B, ICES 7			

### Hardware Features

Model	PDX-215C-SP	PDX-220C-SP	PDX-615C-SP	PDX-620C-SP
Surge Protection	Series			
Voltage Protection Rating	330V (L-N); Type 3 SPD			
Maximum Applied Surge Voltage	6000 Volts (1.2 x 50µS Pulse, Industry Standard Combination Wave Per IEEE C62.41)			
Maximum Applied Surge Current	Unlimited (Due to Inherent Current Limiting)			
Maximum Applied Surge Energy	Unlimited (Due to Inherent Current Limiting)			
EMI Filter, Differential Mode	40dB@100kHz		50dB@100kHz	
50Ω Load	50dB@3MHz		50dB@30MHz	
EMI Filter, Common Mode	18dB@100kHz		40 30dB@100kHz	
50Ω Load	50dB@3MHz		50dB@30MHz	
Overvoltage Threshold	Upper Limit Cutoff: 135V RMS Upper Limit Restore: 126V RMS			
Undervoltage Threshold	Lower Limit Cutoff: 100V RMS Lower Limit Restore: 105V RMS			

# Series Surge Protection Models

## Electrical Specifications

### Physical (Two Outlet Models)

Model	PDX-215C-SP	PDX-220C-SP
Dimensions (Width x Height x Depth)	4.65" (118mm) x 1.735" (44mm) x 9" (229mm)	
Product Weight	3.75 lb. (1.7 kg)	
Shipping Weight	5.51 lb. (2.5 kg)	5.73 lb. (2.6 kg)

### Physical (Six Outlet Models)

Model	PDX-615C-SP	PDX-620C-SP
Dimensions (Width x Height x Depth)	8.15" (207mm) x 1.735" (44mm) x 7" (178mm)	
Product Weight	4.19 lb. (1.9 kg)	
Shipping Weight	6.62 lb. (3 kg)	6.84 lb. (3.1 kg)

### Warranty

Model	PDX-215C-SP, PDX-220C-SP, PDX-615C-SP, and PDX-620C-SP
-------	--------------------------------------------------------

Series Surge Module

Twelve years limited for warranty information, refer to [www.legrandav.com/policies/warranty\\_information](http://www.legrandav.com/policies/warranty_information)