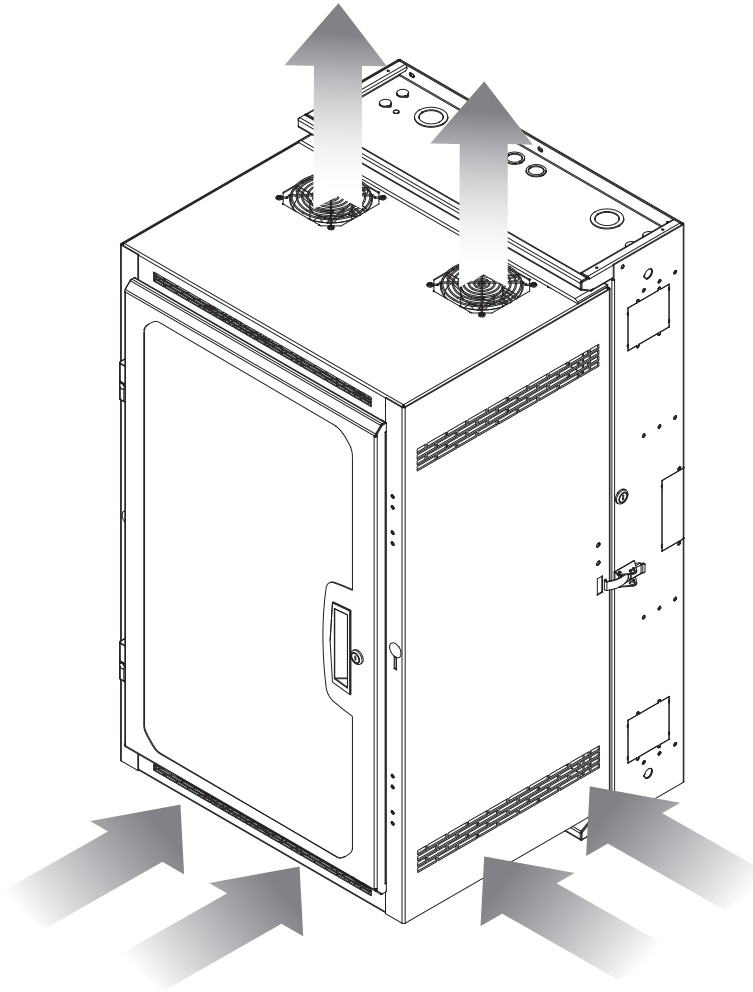


INSTRUCTION SHEET
DWR/SR SERIES
FAN KIT



THANK YOU

Thank you for purchasing the DWR/SR Series Fan Kit. Please read these instructions thoroughly before installing and assembling this product.

PRODUCT FEATURES

- Extend equipment life by removing excess heat.
- Vent blockers provided to control airflow.

IMPORTANT SAFETY INSTRUCTIONS - EN

- Read these instructions.
- Heed all warnings.
- Clean only with dry cloth.
- Keep these instructions.
- Follow all instructions.
- Only use attachments/accessories specified by the manufacturer.



DANGER HAZARDOUS VOLTAGE: The lightning flash with the arrowhead symbol, within an equilateral triangle is intended to alert the user to the presence of uninsulated dangerous voltage within the product's enclosure that may be of sufficient magnitude to constitute a risk of electric shock to persons.



WARNING: A warning alerts you to a situation that could result in serious personal injury or death.



CAUTION: A caution alerts you to a situation that may result in minor personal injury or damage to the product and/or property.



NOTE: A note is used to highlight procedures pertaining to the installation, operation, or maintenance of the product.



WARNING: Failure to read, understand and follow the following information can result in serious personal injury, damage to the equipment or voiding of the warranty.



CAUTION: Use indoor in dry locations only.



CAUTION: The following parts are not effectively bonded to the protective earth terminal: Rack rails, lace bars, Lever Lock™, shelves, baffle, blanking panels, fans, and cable management. If any part needs to be bonded to the protective earth terminal it shall be done in accordance with Article 250 of the National Electrical Code.

INSTRUCTIONS IMPORTANTES SUR LA SÉCURITÉ - FR

- Lire ces instructions.
- Respectez tous les avertissements.
- Nettoyer uniquement avec un chiffon sec.
- Conservez ces instructions.
- Suivez toutes les instructions.
- N'utilisez que des accessoires spécifiés par le fabricant.



DANGER TENSION DANGEREUSE: Le symbole de la pointe de flèche, dans un triangle équilatéral, est destiné à alerter l'utilisateur sur la présence de tension dangereuse non isolée dans l'enceinte du produit qui peut être d'une ampleur suffisante pour constituer un risque d'électrocution.



AVERTISSEMENT: Un avertissement vous avertit d'une situation pouvant entraîner des blessures graves ou la mort.



ATTENTION: Une attention vous avertit d'une situation pouvant entraîner des blessures mineures ou des dommages au produit et/ou à la

REMARQUE: Une remarque est utilisée pour mettre en évidence les procédures relatives à l'installation, au fonctionnement ou à l'entretien du produit.



AVERTISSEMENT: Ne pas lire, comprendre et suivre les informations suivantes peut entraîner des blessures graves, des dommages à l'équipement ou de la nullité de la garantie.



ATTENTION: Pour être utilisé en intérieur dans un endroit sec seulement.

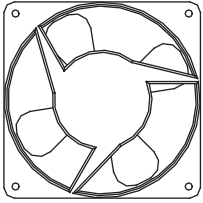


ATTENTION: Les pièces suivantes ne sont pas correctement liés à la borne de terre de protection: rails de rack, des bars de dentelle, Lever Lock™, des étagères, des chicanes, des panneaux d'obturation, ventilateurs, et la gestion des câbles. Si une partie doit être lié à la borne de terre de protection, il doit être fait conformément à l'article 250 du Code national de l'électricité.

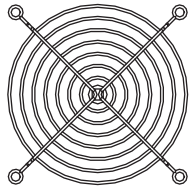
SUPPLIED COMPONENTS AND HARDWARE

If any pieces are missing or damaged, please report it immediately to Technical Support at av.support@legrand.com or (866) 977-3901.

4.5" FAN KIT (DWRSR-4-FK)



(2x) 4.5" Fan
A



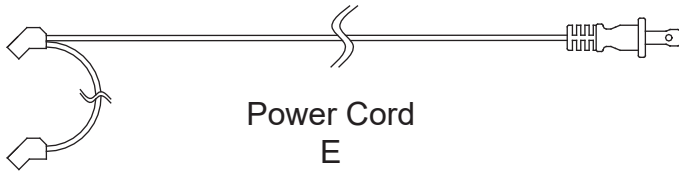
(4x) 4.5" Fan
Guard
B



(8x) 4.5" Fan
Guard Nut
C



(8x) 4.5" Fan
Guard Screw
D



Power Cord
E

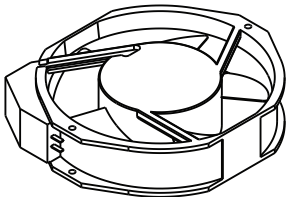


Front Vent
Blocker
F

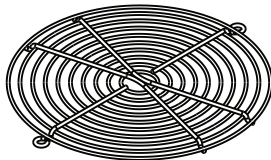


(2x) Side
Vent Blocker
G

6" FAN KIT (DWRSR-6-FK, SR28-6-FK)



(2x) 6" Fan
A



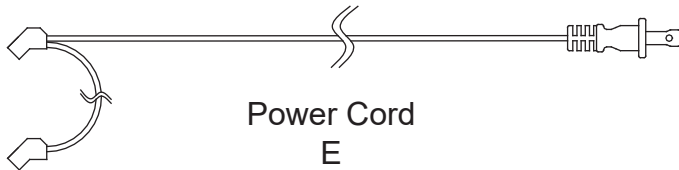
(4x) 6" Fan
Guard
B



(4x) 6" Fan
Guard Nut
C



(4x) 6" Fan
Guard Screw
D



Power Cord
E



Front Vent
Blocker
F



(2x) Side
Vent Blocker
G

NOTE:

- To order more hardware, contact support at av.support@legrand.com or (866) 977-3901.
- Additional hardware is included that may not be required for your installation.

REQUIRED TOOLS

- Rubber Mallet
- No. 2 Phillips Driver
- 5/16" Wrench or Socket
- Scissors



WARNING: Use tools with caution and follow all necessary safety protocols.

AVERTISSEMENT: Utiliser des outils avec prudence et suivre tous les protocoles de sécurité nécessaires.

NOTE: Scissors are required to trim vent blockers for all model enclosures, if necessary.

INSTALLATION

1. Use a rubber mallet to clear desired fan knockouts from the inside to the outside of your enclosure.

NOTE:

- Arrow on side of fan (A) indicates the air flow direction. Install with arrow pointing outside of the enclosure. (**FIGURE A**)
- Install fans with plugs facing each other as shown. This will ensure that the power cord (E, and bonding wire) is able to reach both fans. (**FIGURE B**)

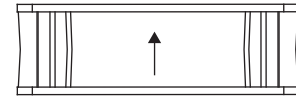


FIGURE A

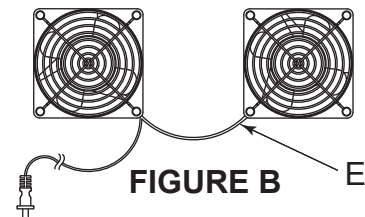
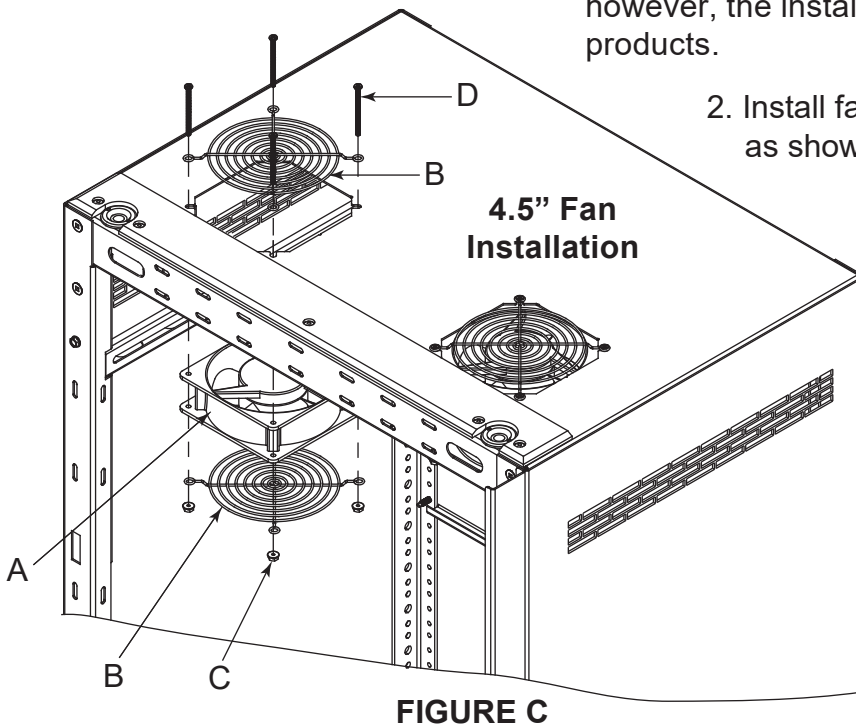


FIGURE B

E

NOTE: DWR enclosures are pictured in these instructions, however, the installation is similar for both DWR and SR series products.

2. Install fan (A), guard (B) and hardware (C and D) as shown. (**FIGURE C** and **FIGURE D**, respectively)



4.5" Fan Installation

- The 4.5" fans (DWRSR-4-FK) use (8x) screws (D) and (8x) nuts (C) in total. (Meaning, (4x) screws and nuts for each fan.) (**FIGURE C**)

INSTALLATION (CONTINUED)

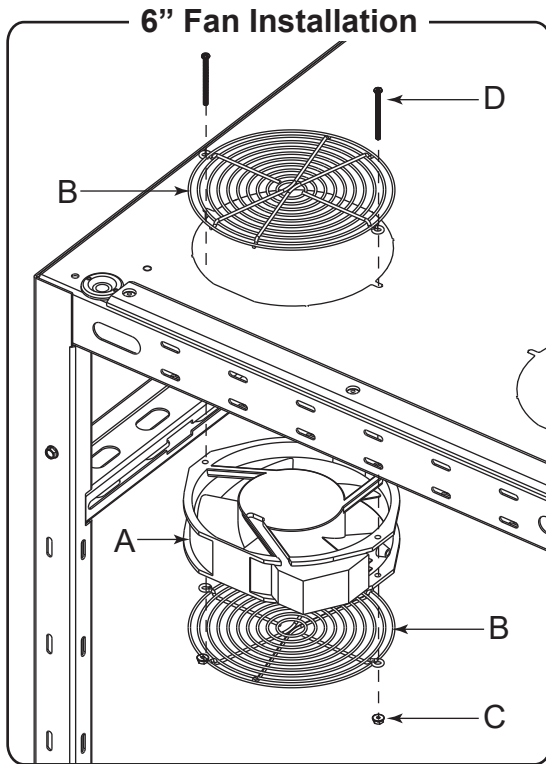


FIGURE D

6" Fan Installation

- The 6" fans (DWRSR-6-FK and SR28-6-FK) use (4x) screws (D) and (4x) nuts (C) in total. (Meaning, (2x) screws and nuts for each fan). (FIGURE D)

NOTE: DWR enclosures are pictured in these instructions, however, the installation is similar for both DWR and SR series products.

3. Install vent blockers (F and G) as shown. (FIGURE E)

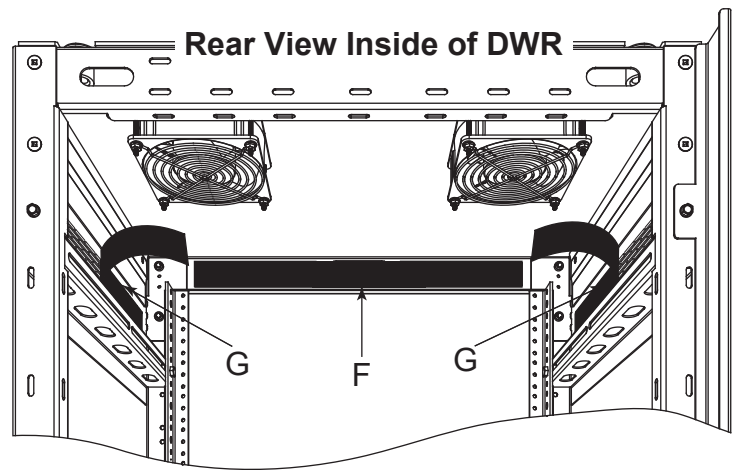


FIGURE E



FIGURE F

NOTE: Use scissors to trim premarked vent blockers, based on the depth of your rack. (FIGURE F)

GROUNDING AND BONDING

Protective Earth Terminals (PET) are located in the rack. These terminals are marked with the symbol \perp . Rack parts, center section and door, contain or are provided with bonding points for connection to the backpan / PET. Protective earth and bonding connections shall be in accordance with Article 250 of the National Electric Code.

PROTECTIVE EARTH TERMINAL KIT (MODEL NO. PET-K-DWRFK, OPTIONAL)



10-32 Locking
Flange Nut



Split Bonding Wire



(2x) M4 x 8mm
Phillips Head Screw

GROUNDING AND BONDING (CONTINUED)

1. Use wrench and 10-32 nut to connect the center eyelet on the bonding wire to a bonding point on the underside of the enclosure top. (**FIGURE F**)
2. Use a #2 Phillips screwdriver and the M4 screws to connect the remaining bonding wire eyelets to the ground points (GND) on your fans.

Upward View of Enclosure Tops

(With 4.5" and 6" Fan Knockouts)

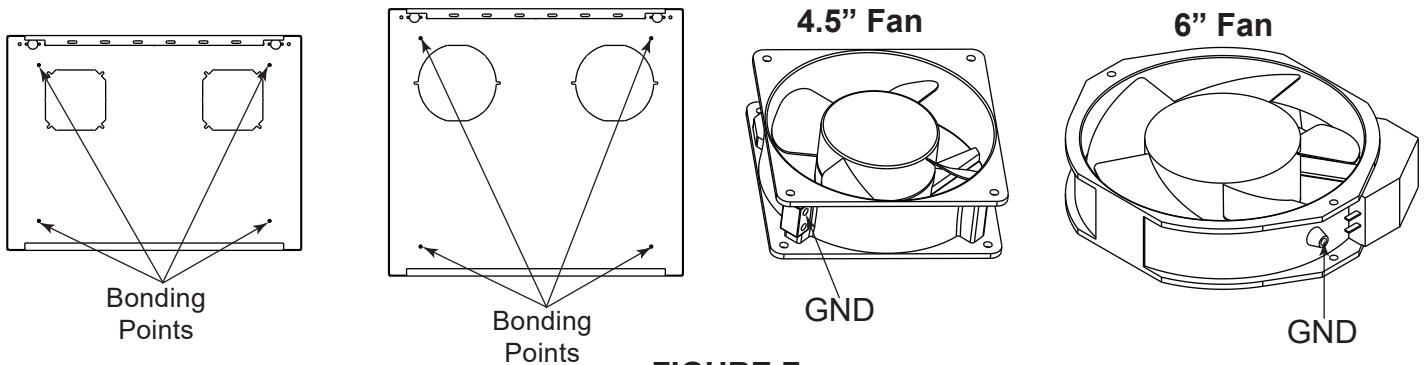


FIGURE F

WARRANTY

For warranty information, refer to www.legrandav.com/policies/warranty_information.

Contacting Corporate Headquarters

P: (866) 977-3901 | F: (877) 894-6918 | www.legrandav.com | av.support@legrand.com

Contacting Middle Atlantic Canada

P: (888) 766-9770 | F: (888) 599-5009 | ca.middleatlantic.com | av.canada.customerservice@legrand.com

Contacting Middle Atlantic Europe, Middle East, and Africa (EMEA) Technical Support

P: +31 495-726-003 | av.emea.middleatlantic.support@legrand.com

United States (US)

Legrand | AV Headquarters
6436 City West Parkway
Eden Prairie, MN, 55344, USA

European Union (EU)

Legrand AV Netherlands
B.V. Franklinstraat 14 6003
DK, Weert, Netherlands

United Kingdom (UK)

Starline Holding Technology Ltd.
(Authorized Representative)
Unit C, Island Rd.
Reading RG2, 0RP- UK

At Legrand AV Inc. we are always listening. Your comments are welcome.

Legrand AV is an ISO 9001 and ISO 14001 Registered Company.