

# MFR SERIES

---

## MOBILE FURNITURE RACK

Economical solution for mobile presentation systems

### FEATURES

- Cost-effective furniture rack includes advanced features
- Robust design features bolt-through casters and internal steel bracing (12 and 16 space models have 3" floor-friendly caster, 20 space models have 4" casters)
- Optimized for passive ventilation, or choose optional DC fan kit
- Optional flat screen mount accommodates most monitors
- Integrated rear management system features vented top mounting panel for optional DC fans, integrated cable exit panel, and tip-in rear panel for easy equipment access
- Locking Plexi Glas® front door standard
- Available in 12, 16, and 20 rackspace sizes in 3 attractive colors: Knotted Maple, Grained Ebony Ash, and Grained Dark Cherry
- UL Listed (structural and tip) for support of audio/video equipment
- Ships fully assembled



MOBILE FURNITURE RACK

# MFR SERIES

## MOBILE FURNITURE RACK

### OPTIONS

- Rear Rackrail Kits shall be model # MFR-RRK- \_\_\_ (12, 16, 20), # equals rackspaces, which must match number of rackspaces in rack
- Rear fan kit shall be model # MFR-FANKIT-2, include two 3" DC fans, and provide 50 CFM of cooling  
Thermostatic fan control shall be model # FC-DC.

### SPECIFICATIONS

EIA compliant 19" mobile furniture equipment rack shall be Middle Atlantic Products model #MFR-\_\_27\_\_ (see chart for available models). Overall dimensions of MFR shall be \_\_"H x 22.63"W x 27.37"D (refer to chart). Useable height of MFR shall be \_\_rackspaces, useable depth shall be 23.19". MFR shall come equipped with one pair of adjustable steel rackrail with tapped 10-32 mounting holes in universal EIA spacing, black e-coat finish and numbered rackspaces. MFR shall have bolt-through casters. MFR shall have 4 casters total, with locking front casters. MFR shall have internal steel bracing. MFR shall be constructed of melamine and have a \_\_ finish (refer to chart). MFR shall have an undersized top. MFR shall include a locking and latching ¼" Plexi Glas® front door. MFR shall include a removable melamine rear access panel. MFR shall have rear venting and cable entry. MFR shall have a 60MM (2.375 in.) cable grommet on top, that accepts a monitor mount. MFR shall ship fully assembled. MFR shall provide a UL Listed load capacity of 250 lbs. mounted in the rack, 50 lbs on top of the rack, and 25 lbs. on the optional monitor mount. MFR shall be UL Listed in the US and Canada. MFR shall be manufactured by an ISO 9001 and ISO 14001 registered company. MFR enclosure shall be warrantied to be free from defects in material or workmanship under normal use and conditions 7 years



# MFR SERIES

## BASIC DIMENSIONS

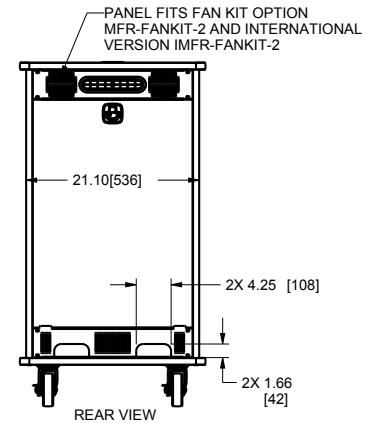
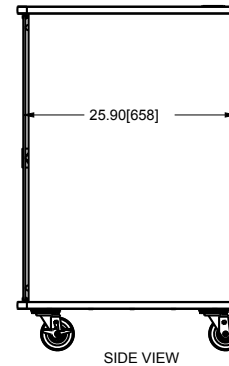
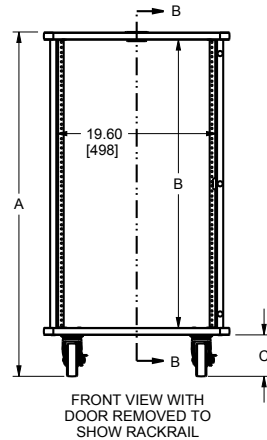
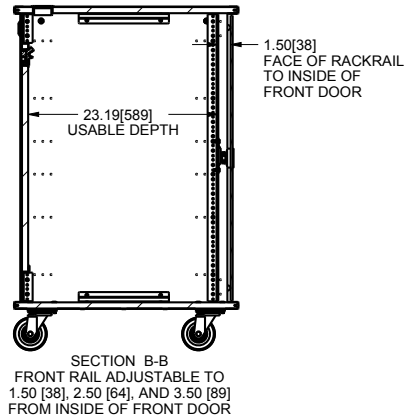
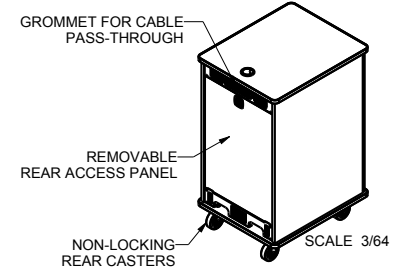
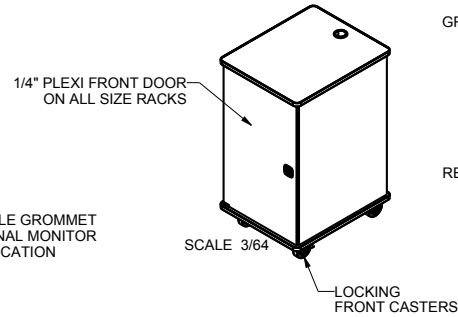
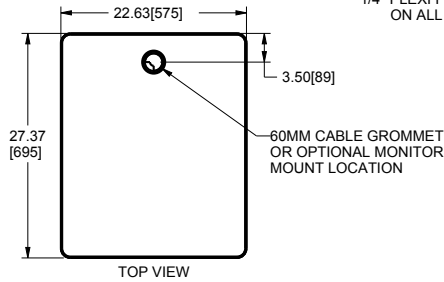
MODEL NUMBER	A OVERALL HEIGHT	B INSIDE HEIGHT	RACK SPACES	C CASTER HEIGHT	CASTER DIAMETER
MFR-1227XX	26.95 [685]	21.16 [537]	12 SP	4.10	3 [76]
MFR-1627XX	33.95 [862]	28.16 [715]	16 SP	4.10	3 [76]
MFR-2027XX	42.03 [1068]	35.16 [893]	20 SP	5.10	4 [102]

**NOTES:**

1) PART NUMBER STRUCTURE, WHERE "XX" EQUALS ONE OF THE FOLLOWING:  
 GE = EBONY ASH  
 KM = MAPLE  
 GC = DARK CHERRY

2) DIMENSIONS ARE SHOWN IN INCHES [MM]

3) RACK TOP, BOTTOM, SIDES AND REAR ACCESS PANEL CONSTRUCTED FROM 3/4" MELAMINE.



LEGRAND | AV COMMERCIAL BRANDS  
 C2G | Chief | Da-Lite | Luxul | Middle Atlantic | Vaddio | Wiremold

WHAT GREAT SYSTEMS ARE BUILT ON™ | legrandav.com

USA 800.266.7225 av.middleatlantic.support@legrand.com CANADA 888.766.9770 av.middleatlantic.support@legrand.com

©2024 Legrand AV Inc. 96-01177 Rev 1 7/24 Middle Atlantic is a registered trademark of Legrand AV Inc. All other brand names or marks are used for identification purposes and are trademarks of their respective owners. All patents are protected under existing designations. Other patents pending.