

L7 Series

ADA Compliant Height-Adjustable Lectern

Versatile, height adjustable lectern with an elegant design that flexes to the need of any user

features:

- Ergonomically engineered to adjust to the varying height requirements of its users
- Design complies with ADA guidelines, providing ample room for wheelchair access
- Durable, steel frames ships assembled allowing the integrator to immediately start the installation in the shop or on-site
- Turrets available to mount the two most popular Crestron touchscreens
- Open frame includes power distribution as well as cable and thermal management for system reliability
- Connectivity included for easy BYOD connecting on the surface of the Lectern
 - 2 each HDMI and CAT6 connectors
 - Surface power with AC and USB charging as well as Qi wireless charging
- 50" x 19" useable surface area provides adequate workspace and room for all required peripheral devices
- Small device mounting in the frame with tool-free removable Lever Lock™ plates
- Capability to individually replace damaged panels or refinish the entire outer shell to match changing décor without removing equipment



specifications:

EIA Compliant 19" AV Lectern shall be Middle Atlantic Products model # L7-F61A-WD-SLH_ (A7 for Brite White HPL finish, B3 for Glamour Cherry HPL finish, B9 for Montana Walnut HPL finish) and brushed aluminum HPL. L7 Series AV Lectern shall be available in 62" overall width. L7 Series AV Lectern shall include system storage, one of the following is required, 12U rack with lockable door shall be model # L7-12U-U, 10U rack with lockable door and lockable storage drawer shall be model # L7-10U-S-U, 8U rack with lockable door and lockable document camera drawer shall be model # L7-8U-D-U, 6U rack with lockable door, lockable document camera drawer and lockable storage drawer shall be model # L7-6U-DS-U. Rack bay shall come equipped with 1 pair of steel rackrail tapped with 10-32 mounting holes in universal EIA spacing, black e-coat finish and numbered rackspaces. L7 Series AV Lectern shall have overall dimensions of 32" H x 62.09" W x 30.82" D, adjustable from 32" to 42" with front mounted control, as measured from the floor to the top of the worksurface. L7 Series AV Lectern shall include 2qty Lever Lock small device mounting plates underneath the worksurface. L7 Series AV Lectern frames shall ship fully assembled and be constructed of steel finished in a durable black powdercoat. L7 Series AV Lectern shall include privacy panel finished in a brushed aluminum HPL. L7 Series AV Lectern rack shall have one 12VDC, 70 CFM thermostatically controlled fan, powered on at 87°F and turn off at 85°F. L7 Series AV Lectern shall include a 15 Amp, 8 outlet (4 available) power strip with surge protection and shall have a removable 12' length cord. L7 Series AV Lectern shall include top mounted storage tray, Qi 1A wireless charger, 2 each HDMI, CAT6, 15A outlet and USB outlets, and one of the following required options, storage tray shall be L7-FL-CON, Turret with cutout for Crestron TSW-760-X touchscreen shall be model # L7-TUR-C760-X, Turret with cutout for Crestron TSW-1060-X shall be model # L7-TUR-1060. L7 Series AV Lectern shall be capable of accepting a monitor mount in 3 locations and a grommet in one of 4 locations, refer to drawing. L7 Series AV Lectern shall include factory installed casters and levelers. L7 Series AV Lectern rack shall be manufactured by an ISO 9001 and ISO 14001 registered company. L7 Series AV Lectern shall be UL listed in the US and Canada. L7 Series AV Lectern shall be GREENGUARD Gold Certified. L7 Series AV Lectern frame shall be warranted to be free from defects in material or workmanship under normal use and conditions for the lifetime of the rack, fan shall be warranted for a period of three years and wood shall be warranted for a period of 7 years. Customizable specification clips available at middleatlantic.com

options:

- Monitor mount shall be model #MM3-1X1BLK and mount monitors with a VESA 75 or 100 pattern and a weight of up to 20 lbs.

EIA/TIA COMPLIANT



PRODUCT CERTIFIED FOR
LOW CHEMICAL EMISSIONS
UL.COM/GG
UL 2818

what great systems are built on.™

A brand of legrand

Middle Atlantic Products

middleatlantic.com | middleatlantic.com

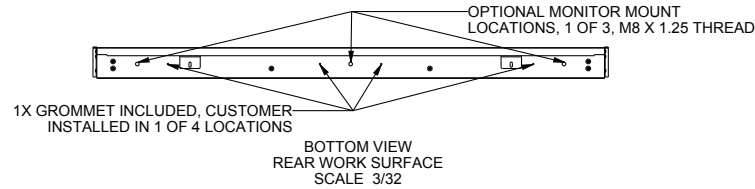
96-01252 / rev c / 5-29-20

L7 Series

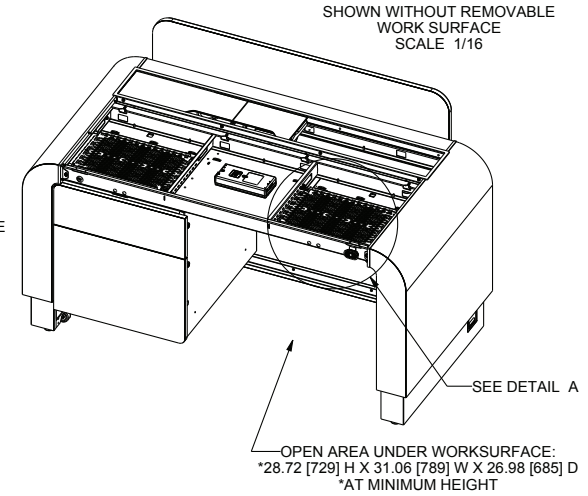
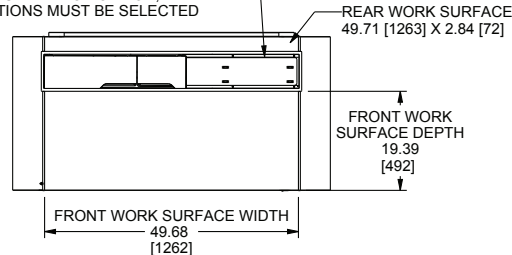
basic dimensions

NOTE(S):

- 1) ALL DIMENSIONS IN FORMAT: INCHES [MILLIMETERS]
- 2) WEIGHT CAPACITIES ARE AS FOLLOWS:
WORK SURFACE: 150LBS [68KG]
SYSTEM STORAGE: 75LBS [34KG]
- 3) REAR PANEL REMOVABLE TO ACCESS REAR OF SYSTEM STORAGE

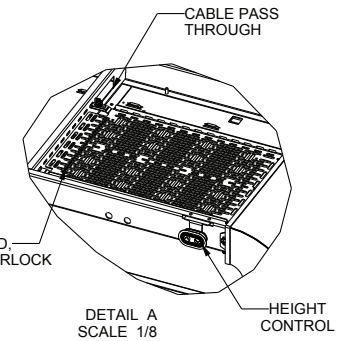
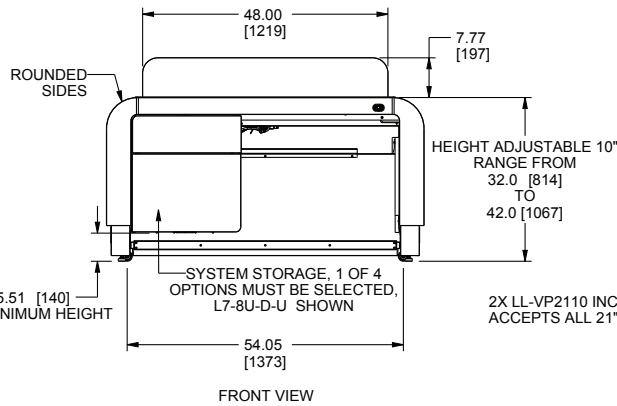
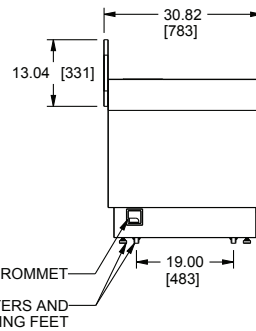
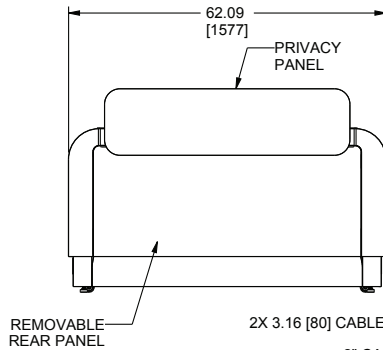


15.00 [381] X 4.00 [102] X 4.00 [102] CABLE TROUGH LOCATED UNDER TOP OPTION, 1 OF 3 TOP OPTIONS MUST BE SELECTED



PART NUMBER	FINISH*
L7-F61A-WD-SLHB3	GLAMOUR CHERRY HPL
L7-F61A-WD-SLHA7	BRITE WHITE HPL
L7-F61A-WD-SLHB9	MONTANA WALNUT HPL

* WORK SURFACES, ROUNDED SIDES, AND REAR PANEL RECEIVE FINISH NOTED IN TABLE, ALL OTHER SURFACES WILL BE BRUSHED ALUMINUM HPL

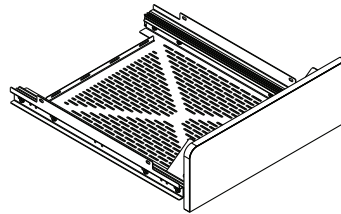
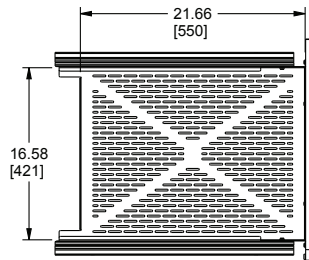


L7 Series

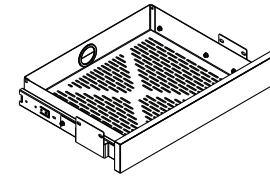
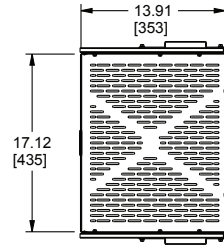
basic dimensions

NOTE(S):

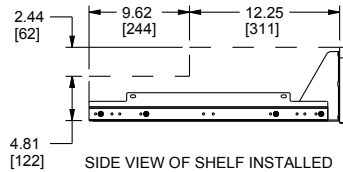
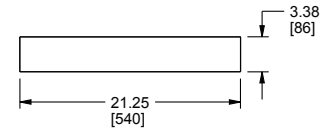
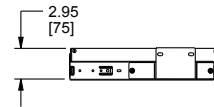
- 1) ALL DIMENSIONS IN FORMAT:
INCHES [MILLIMETERS]
- 2) SHELF/DRAWER WEIGHT CAPACITY: 40LBS [18KG]
OVERALL SYSTEM STORAGE WEIGHT CAPACITY: 75LBS [34KG]
- 3) INCLUDED IN SYSTEM STORAGE:
8 OUTLET POWER STRIP (4 OUTLETS OPEN): IEC, 12' POWER CORD;
120MM FAN: THERMOSTATICALLY CONTROLLED, 12VDC, 70CFM, 29DBA, TURN ON: 87F [30.5C] TURN OFF: 85F [29.4C]
- 4) ALL SHELF/DRAWER AND DOOR OPTIONS INCLUDE UNIQUE INDIVIDUAL LOCK AND KEY



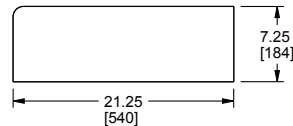
DOCUMENT CAMERA SHELF



STORAGE DRAWER

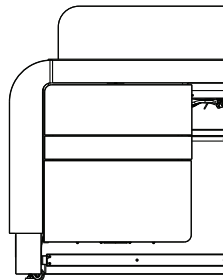


SIDE VIEW OF SHELF INSTALLED

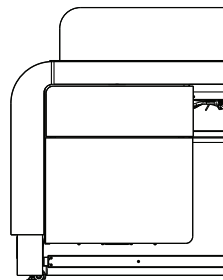


SYSTEM STORAGE OPTIONS - MUST SELECT ONE			
PART NUMBER	DOCUMENT CAMERA SHELF	STORAGE DRAWER	RACK RAIL INCLUDED*
L7-12U-U	NO	NO	12 SPACE
L7-10U-S-U	NO	YES	10 SPACE
L7-8U-D-U	YES	NO	8 SPACE
L7-6U-DS-U	YES	YES	6 SPACE

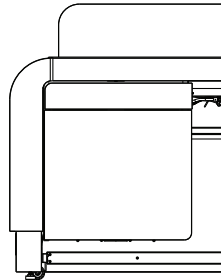
* INCLUDES FIXED FRONT RAIL AND DOOR



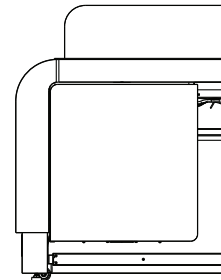
L7-6U-DS-U



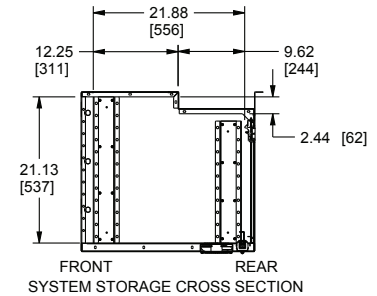
L7-8U-D-U



L7-10U-S-U



L7-12U-U



FRONT REAR SYSTEM STORAGE CROSS SECTION

what great systems are built on.™

A brand of Legrand

Middle Atlantic Products

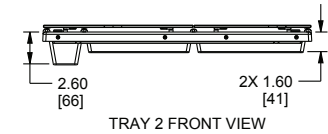
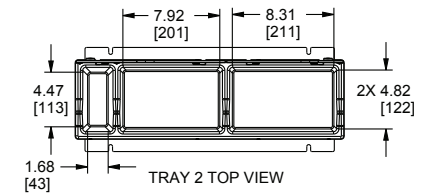
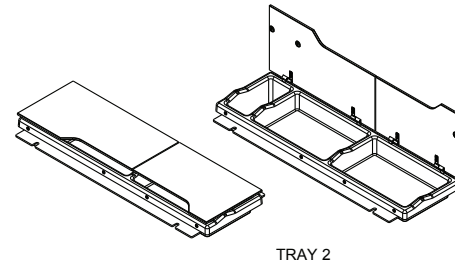
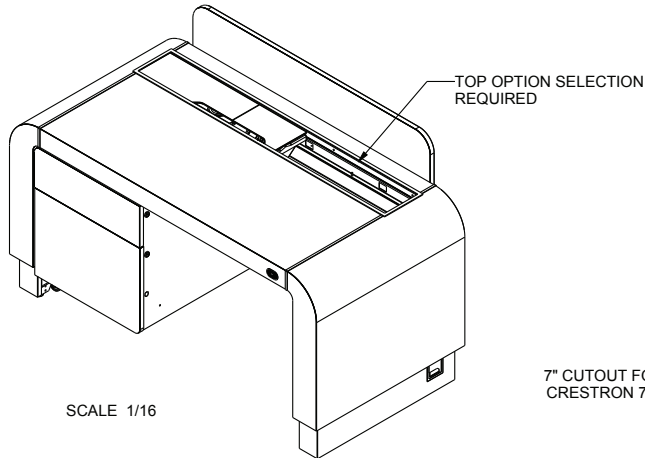
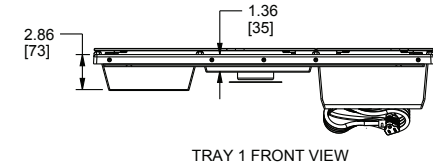
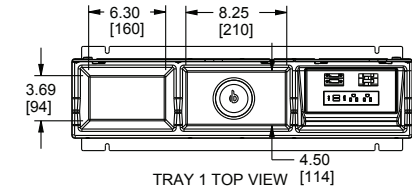
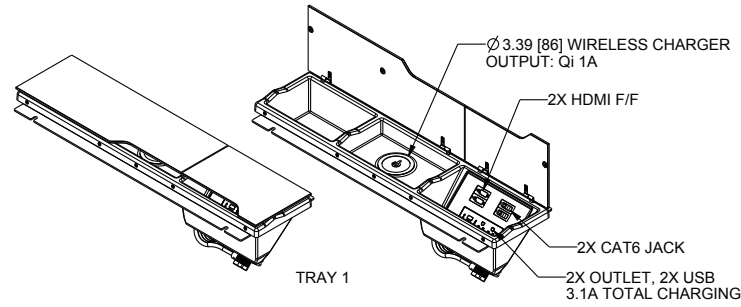
middleatlantic.com | middleatlantic.ca

L7 Series

basic dimensions

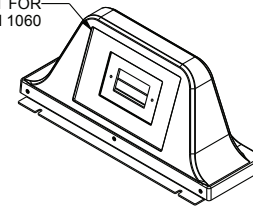
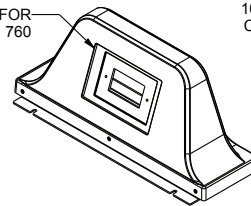
NOTE(S):
 1) ALL DIMENSIONS IN FORMAT:
 INCHES [MILLIMETERS]

TOP OPTIONS - MUST SELECT ONE	
PART NUMBER	INCLUDED
L7-FL-CON	TRAY 1 + TRAY 2
L7-TUR-C760	TRAY 1 + 7" TURRET
L7-TUR-C1060	TRAY 1 + 10" TURRET



7" CUTOUT FOR
CRESTRON 760

10" CUTOUT FOR
CRESTRON 1060



what great systems are built on.™

A brand of **legrand**

MA
 Middle Atlantic Products

middleatlantic.com | middleatlantic.ca