

# C3 Series

Slim AV Credenza

ADA compliant wall mount design optimized for smaller AV Systems

## features:

- Frame to Furniture™ design complements an integrator's installation workflow
- Fully assembled frames ship with furniture-grade wood panels
- Flexible equipment mounting storage options from vertical slide out racks and stationary rack units, removable Lever Lock™ small device mounting system and shelving options
- Wall Mounted ADA compliant design
- Available in 1, 2 and 4 bay models and two heights
- Available in Moderno style
- Standard finishes available: High Pressure Laminate and Thermolaminate materials



## specifications:

C3 Series AV Credenza shall be Middle Atlantic Products model # C3C\_D\_MX\_\_\_P001 (refer to chart) and include steel backpan and wood finishing kit. C3 Series Credenza shall be available in 1, 2 or 4 bay configurations. Overall dimensions shall be \_\_\_" H x \_\_\_" W x 10" D (refer to chart.) C3 Series Credenza backpan shall be finished in a durable black powder coat. C3 Series total weight capacity shall be 100 lbs. per bay with 75 lbs. mounted inside, 25 lbs. on top. C3 Series shall be wall mounted with a minimum 1" distance from the floor. C3 Series Credenza finishing kit shall be available in a Moderno style. Front doors shall be solid and provide sufficient gaps for air exhaust. C3 Series shall include \_\_\_ (refer to chart) qty LeverLockPlates, model # LL-VP2110 for small device mounting. Front doors shall include magnetic catch. C3 Series Finishing Kit top, bottom and sides of surround shall be constructed of 1" thick triple refined MDF or Particle Board, doors shall be constructed of ¾" thick triple refined MDF or particle board. To view High Pressure Laminate and Thermolaminate materials, visit [middleatlantic.com](http://middleatlantic.com) for list of available finishes. C3 Series Credenza shall have 4 rackspace stationary (model # C3TECHKIT4-ST) and slide out (model # C3TECHKIT4-SO) rack options that includes 7 outlet, 15 amp power strip with 10' power cord, 50CFM DC thermostatically controlled exhaust fan kit powered on at 87°F and turn off at 85°F, maximum one per bay and have a weight capacity of 75 lbs. C3 Series Credenza shall be GREENGUARD Gold Certified. Credenza shall be manufactured by an ISO 9001 and ISO 14001 registered company. Credenza frame shall be warrantied to be free from defects in material or workmanship under normal use and conditions for the lifetime of the rack, fans shall be warrantied for a period of three years and wood panels shall be warrantied for a period of 7 years.

Customizable specification clips available at [middleatlantic.com](http://middleatlantic.com)



PRODUCT CERTIFIED FOR  
LOW CHEMICAL EMISSIONS  
UL.COM/GG  
UL 2818

## options:

- 4 Rackspace Slide Out rack option shall be model # C3TECHKIT4-SO, have a weight capacity of 75lbs. and a maximum useable depth of 17" (24" models) or 25- ¾" (32" models.) and include 50CFM thermostatically controlled DC fan kit and 7 outlet, 15 amp power strip with 10' power cord.
- 4 Rackspace vertical stationary rack option shall be model # C3TECHKIT4-ST, have a weight capacity of 75lbs. and a maximum useable depth of 17" (24" models) or 25- ¾" (32" models.), and include 50CFM thermostatically controlled DC fan kit and 7 outlet 15 amp power strip with 10' power cord.
- LeverLock option shall mount to side of slide out rack bay (model # C3TECHKIT4-SO) and be model # C3LEVERLOCK-KIT.
- Shelf kit shall include 2 qty ¾" thick shelves finished in black melamine. Shelves mount in 2-1/2" increments.
- 50CFM thermostatically controlled DC fan kit shall be powered on at 87°F and turn off at 85°F, model # C3-FANKIT.
- Magnetic door lock shall be model # MAG-CAB-LATCHKEY

what **great systems** are built on.™

A brand of **legrand**

  
**Middle Atlantic Products**

[middleatlantic.com](http://middleatlantic.com) | [middleatlantic.ca](http://middleatlantic.ca)

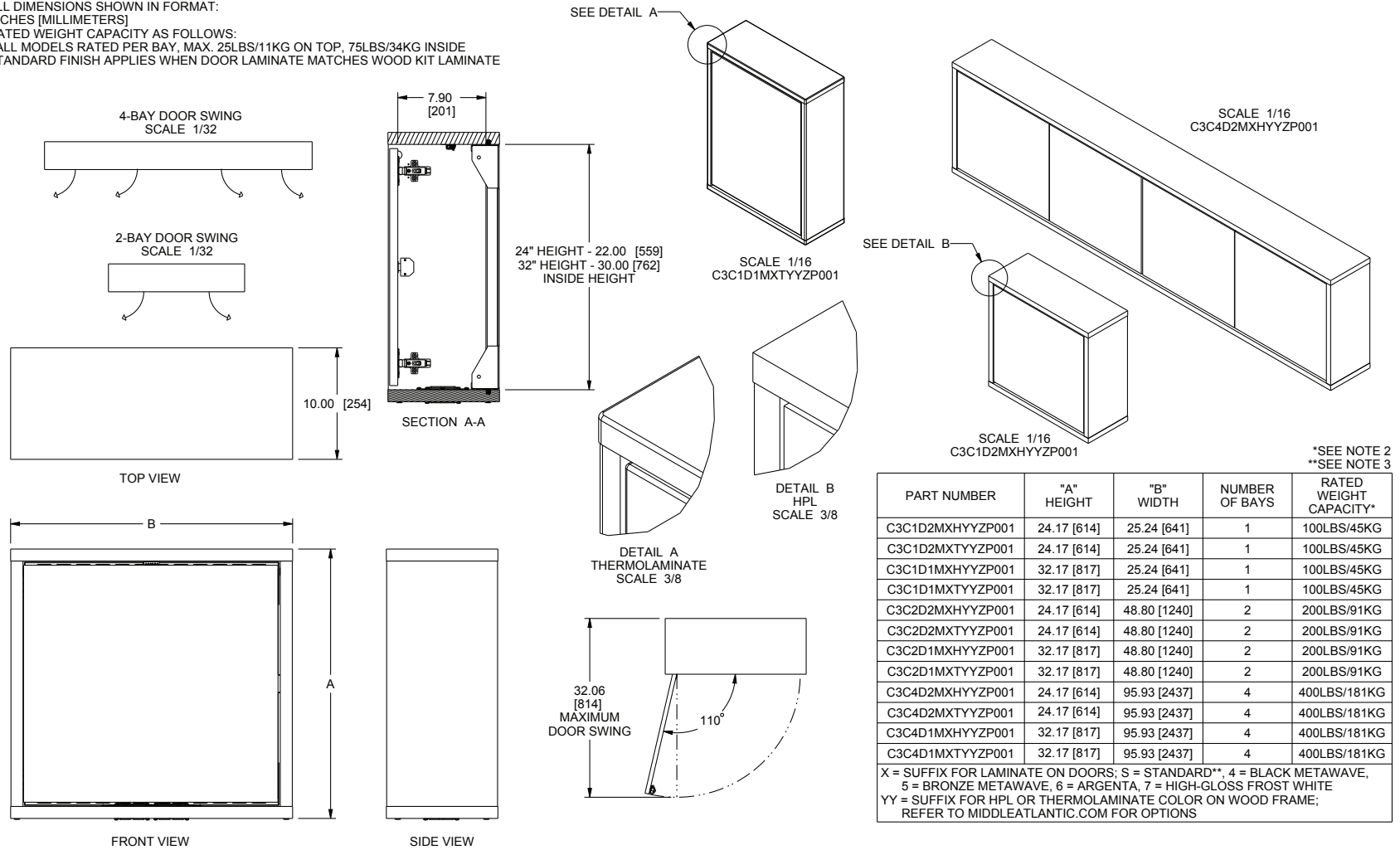
96-01258 / rev d / 5-29-20

# C3 Series

## basic dimensions

**NOTE(S):**

1. ALL DIMENSIONS SHOWN IN FORMAT:  
INCHES [MILLIMETERS]
2. RATED WEIGHT CAPACITY AS FOLLOWS:  
- ALL MODELS RATED PER BAY, MAX. 25LBS/11KG ON TOP, 75LBS/34KG INSIDE
3. STANDARD FINISH APPLIES WHEN DOOR LAMINATE MATCHES WOOD KIT LAMINATE



what great systems are built on.™

A brand of **legrand**

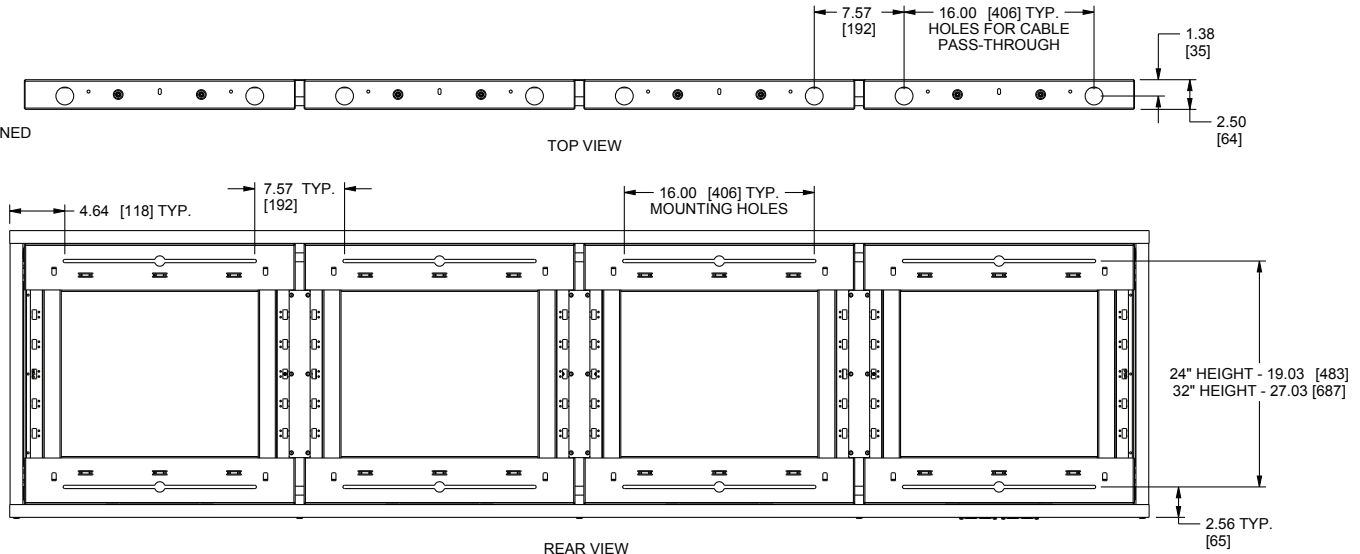
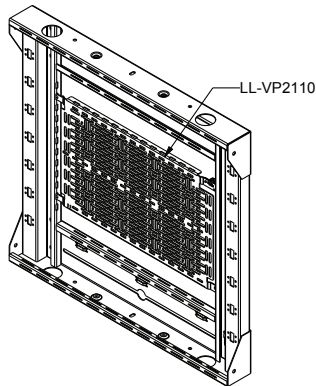
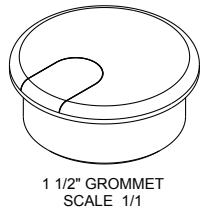
**MA**  
Middle Atlantic Products

middleatlantic.com | middleatlantic.ca

# C3 Series

## basic dimensions

- NOTE(S):
1. ALL DIMENSIONS SHOWN IN FORMAT: INCHES [MILLIMETERS]
  2. STANDARD FINISH APPLIES WHEN DOOR LAMINATE MATCHES WOOD KIT LAMINATE
  3. QTY. OF 2 GROMMETS INCLUDED WITH ALL WOOD KITS. LOCATIONS TO BE DETERMINED BY (IF NEEDED) AND DRILLED BY INSTALLER



PART NUMBER	NUMBER OF BAYS	QTY. OF LL-VP2110	QTY. OF PD-715SC-NS
C3C1D2MXHYYP001	1	1	1
C3C1D2MXTYYZP001	1	1	1
C3C1D1MXHYYP001	1	1	1
C3C1D1MXTYYZP001	1	1	1
C3C2D2MXHYYP001	2	1	1
C3C2D2MXTYYZP001	2	1	1
C3C2D1MXHYYP001	2	1	1
C3C2D1MXTYYZP001	2	1	1
C3C4D2MXHYYP001	4	2	1
C3C4D2MXTYYZP001	4	2	1
C3C4D1MXHYYP001	4	2	1
C3C4D1MXTYYZP001	4	2	1

X = SUFFIX FOR LAMINATE ON DOORS; S = STANDARD\*,  
 4 = BLACK METAWAVE, 5 = BRONZE METAWAVE, 6 = ARGENTA, 7 = HIGH-GLOSS FROST WHITE  
 YY = SUFFIX FOR HPL OR THERMOLAMINATE COLOR ON WOOD FRAME;  
 \*SEE NOTE 3 REFER TO MIDDLEATLANTIC.COM FOR OPTIONS

what great systems are built on.™

A brand of Legrand

Middle Atlantic Products

middleatlantic.com | middleatlantic.ca

# C3 Series

## basic dimensions

NOTE(S):

1. ALL DIMENSIONS SHOWN IN FORMAT:  
INCHES [MILLIMETERS]

2. C3TECHKIT4-SO CONTENTS:

- SLIDE-OUT RACK
- 4" LEVER LOCK PLATE
- LEVER LOCK ADAPTER
- FAN KIT
- FAN SPECS:
  - 24 dBA PER ASSEMBLY
  - 50 CFM [1.42 m3/MIN] PER ASSEMBLY
  - TURN ON: 87F [30.5C]
  - TURN OFF: 85F [29.4C]

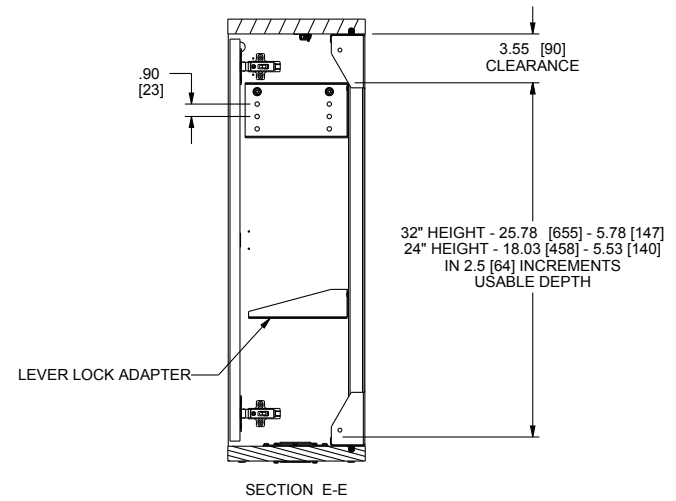
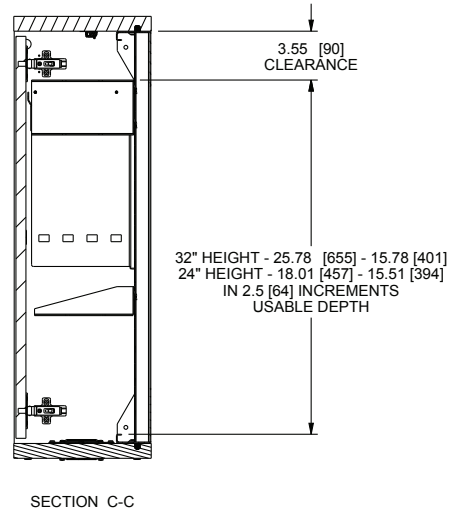
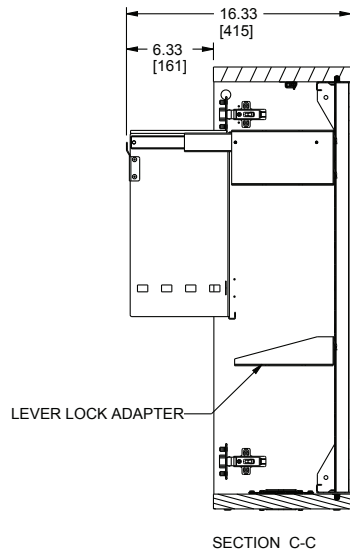
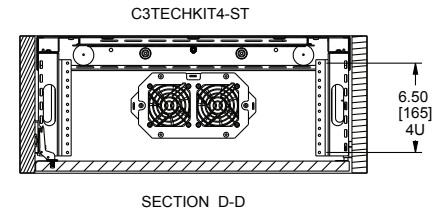
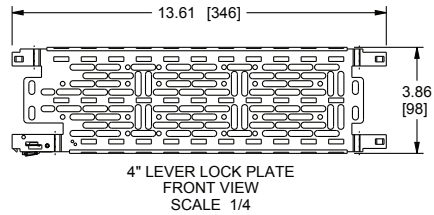
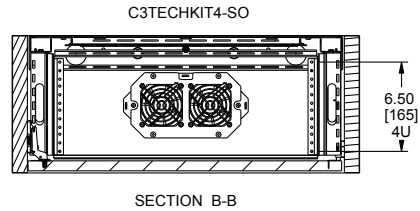
- POWER STRIP: PD-715SC-NS

- 7 OUTLETS
- 15A
- 10FT CORD

3. C3TECHKIT4-ST CONTENTS:

- 2X STATIONARY RACK ADAPTER
- 4" LEVER LOCK PLATE
- LEVER LOCK ADAPTER
- FAN KIT

- FAN SPECS:
  - 24 dBA PER ASSEMBLY
  - 50 CFM [1.42 m3/MIN] PER ASSEMBLY
  - TURN ON: 87F [30.5C]
  - TURN OFF: 85F [29.4C]
- POWER STRIP: PD-715SC-NS
- 7 OUTLETS
- 15A
- 10FT CORD

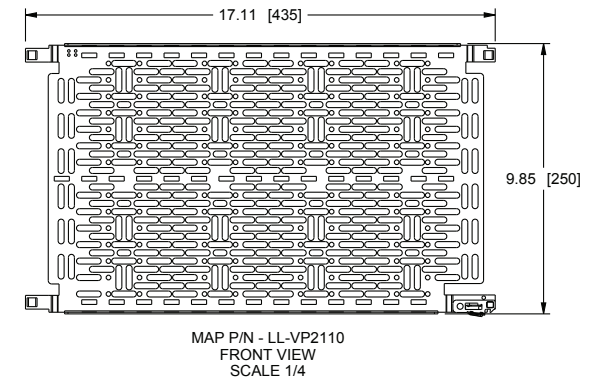
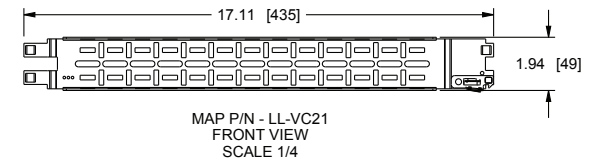
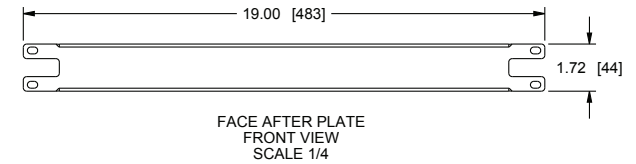
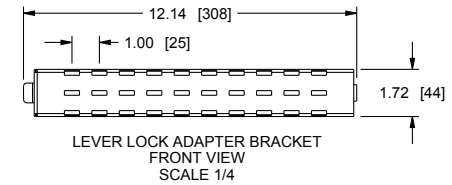
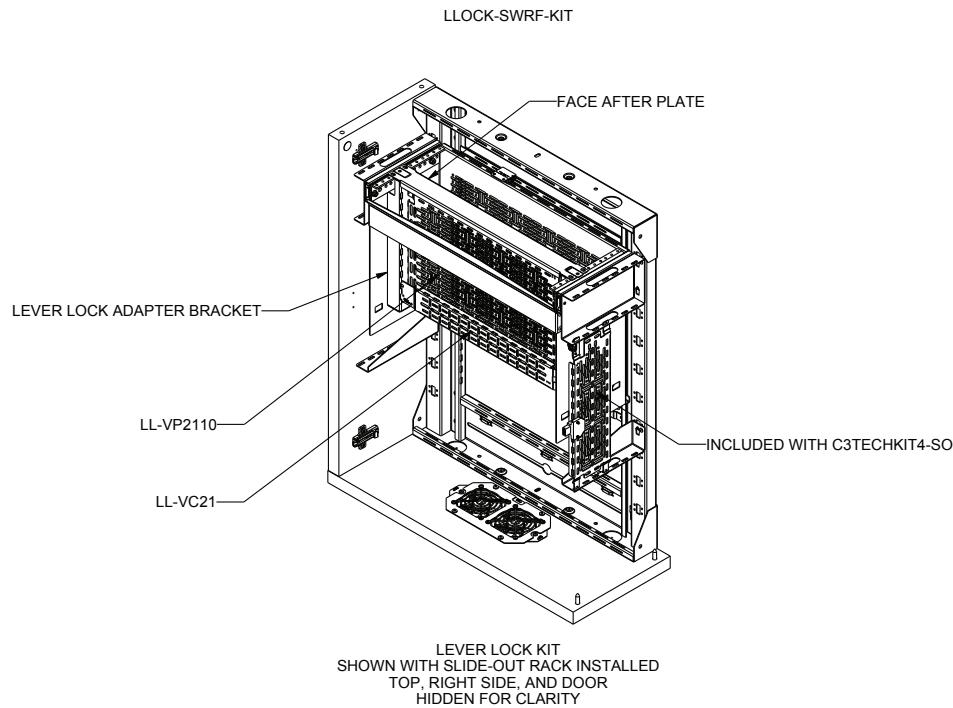


# C3 Series

## basic dimensions

NOTE(S):

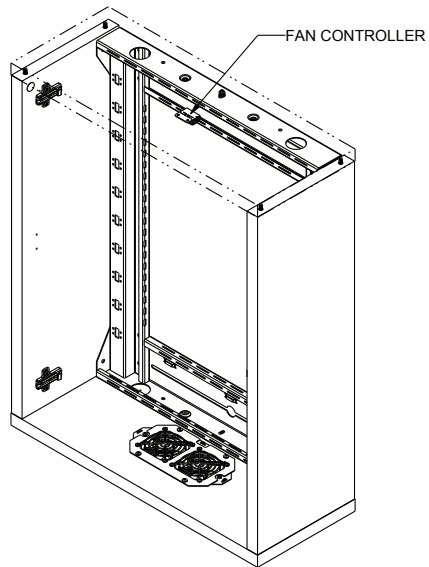
1. ALL DIMENSIONS SHOWN IN FORMAT:  
INCHES [MILLIMETERS]
2. LLOCK-SWRF-KIT REQUIRES USE OF THE C3TECHKIT4-SO OPTION
3. LLOCK-SWRF-KIT SHOWN, CONTENTS:
  - 2X LL-VC21 - 21" VERTICAL CHANNEL LACE
  - LL-VP2110 - 21"H, 10"D, VERTICAL ACCESS MOUNTING PLATE
  - 1U FACE AFTER PLATE
  - LEVER LOCK ADAPTER BRACKET



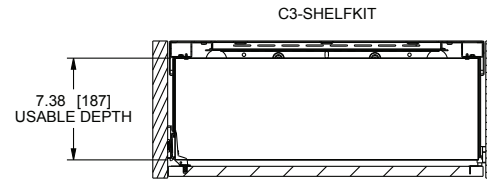
# C3 Series

## basic dimensions

- NOTE(S):
1. ALL DIMENSIONS SHOWN IN FORMAT:  
INCHES [MILLIMETERS]
  2. FAN SPECS:
    - 24 dBA PER ASSEMBLY
    - 50 CFM [1.42 m<sup>3</sup>/MIN] PER ASSEMBLY
    - TURN ON: 87F [30.5C]
    - TURN OFF: 85F [29.4C]

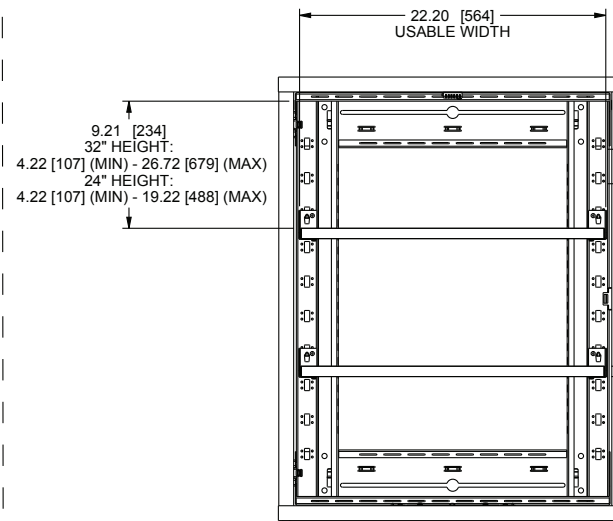
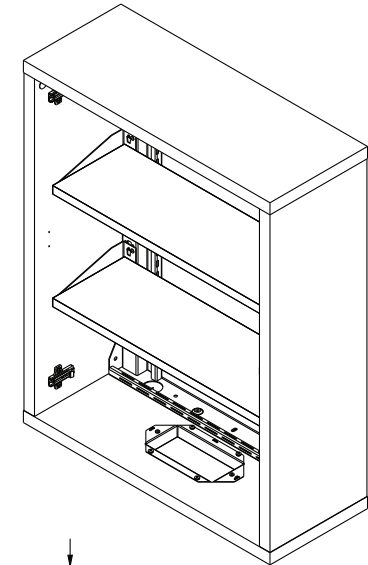


C3-FANKIT  
DOOR AND TOP HIDDEN  
FOR CLARITY



C3-SHELFKIT

SECTION B-B



FRONT VIEW  
DOOR HIDDEN FOR CLARITY

2.50 [64]  
32\"/>

.75 [19]