

# T5 Series

## Conference Tables

Designed to properly support AV technology for ultimate system reliability

### FEATURES

- Each T5 solution includes a table top, support pedestals and a Tech Kit. The Tech kit is optimized for the designated table size and is comprised of the critical infrastructure that supports reliable AV systems:
  - Patent-pending swing-out pedestal rack can be located in the table pedestal of choice. Innovative flexibility for up to 3 RU of sideways rackmounting, small device mounting or a combination of the two. Includes three tool-free Lever Lock™ plates for mounting small devices
  - Wiremold InteGreat™ Table Boxes in black or silver with 2 retracting HDMI cables and 2 AC outlets for power and connectivity at the surface. Table boxes & cable retractors are concealed by the table's pedestal
  - Included power distribution
- Styles and finishes correspond with C5 Series Credenzas, providing cohesive furniture designs for any meeting space
  - Sota style with rectangular shape and self-edge, available in HPL and Veneer finish
  - Klasik style with boat shape and ogee-shaped edge, available in Veneer finish
- 3 sizes available: 8' (seats up to 8 users), 12' (seats up to 12 users), 16' (seats up to 16 users)
- Pedestal locks to secure equipment within



### SPECIFICATIONS

T5 Series Conference Room Table shall be Middle Atlantic Products model # T5\_\_\_\_\_ (refer to chart). T5 Series Conference Room Table shall have a \_\_\_ (Klasik, Sota, refer to drawings) style have a \_\_\_ (HPL, Veneer, refer to chart) finish, in a \_\_\_ (refer to chart for color options). T5 Series Conference Room Table shall be \_\_\_"H x \_\_\_"W" x \_\_\_" D (refer to chart). T5 Series Conference Room Table shall include a cable management trough between each pedestal, with a useable area of 2.6" H x 8.5" W. T5 Series Conference Room Table shall include \_\_\_ (2,3 refer to chart) pedestals with lockable access door. T5 Series Conference Room Table shall include 3 qty tool free Lever Lock mounting plates. T5 Series Conference Room Table shall require 1 qty T5-TECHKIT \_\_\_ (refer to chart) that shall include \_\_\_ (2,3) qty Table boxes in \_\_\_ (black, silver), \_\_\_ (1,2) qty 8 outlet power strip with \_\_\_ (72", 144") removable IEC cord, \_\_\_ qty (4, 6) HDMI retractors, and 1 qty pedestal mounted swing out 3 rackspace 10-32 threaded rack kit. T5 Series Conference Room Table frame shall be warrantied to be free from defects in material or workmanship under normal use and conditions for a period of 7 years.

### RELATED PRODUCTS

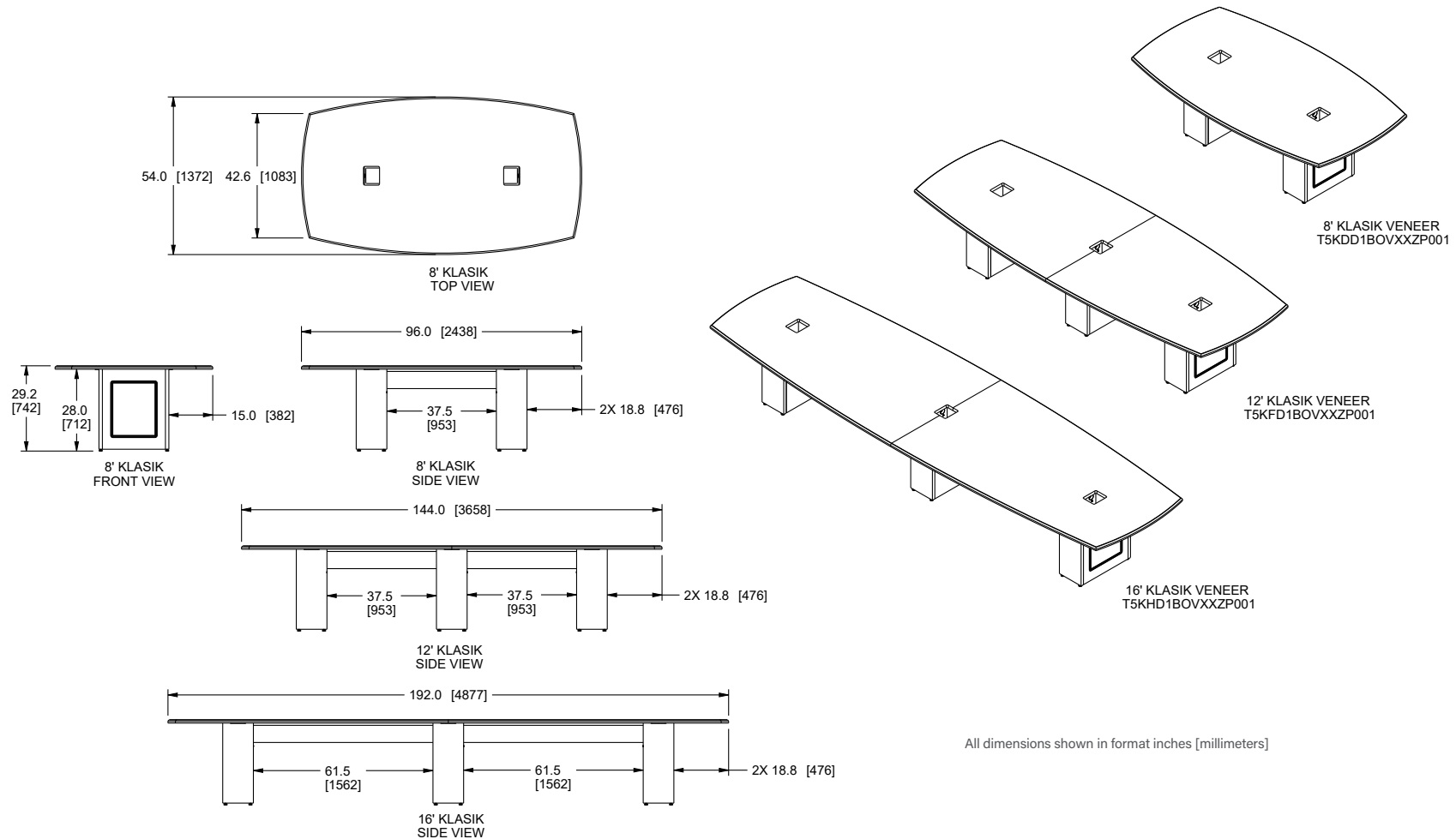
- Table Pedestal Rack shall be T5-RACK-KIT
- Lever Lock Kit shall be T5-LLOCKBKT-KIT
- T5 Series DC Fan Kit shall be T5-DCFANKIT-1

# T5 Series

## Basic Dimensions

KLASIK VENEER	SIZE	PEDESTAL QTY	TROUGH 37.5 [953]	TROUGH 61.5 [1562]	TABLETOP PIECE
T5KDD1BOVXXZP001	8'	2	1	NA	1
T5KFD1BOVXXZP001	12'	3	2	NA	2
T5KHD1BOVXXZP001	16'	3	NA	2	2

XX = 04 FOR SANDY MAPLE, 01 SCARLETT CHERRY, 07 FOR SEPIA WALNUT



All dimensions shown in format inches [millimeters]

# T5 Series

## Basic Dimensions

SOTA HPL & VENEER	SIZE	PEDESTAL QTY	TROUGH 37.5 [953]	TROUGH 61.5 [1562]	TABLETOP PIECE
T5KDD1BOVXXZP001	8'	2	1	NA	1
T5KFD1BOVXXZP001	12'	3	2	NA	2
T5KHD1BOVXXZP001	16'	3	NA	2	2

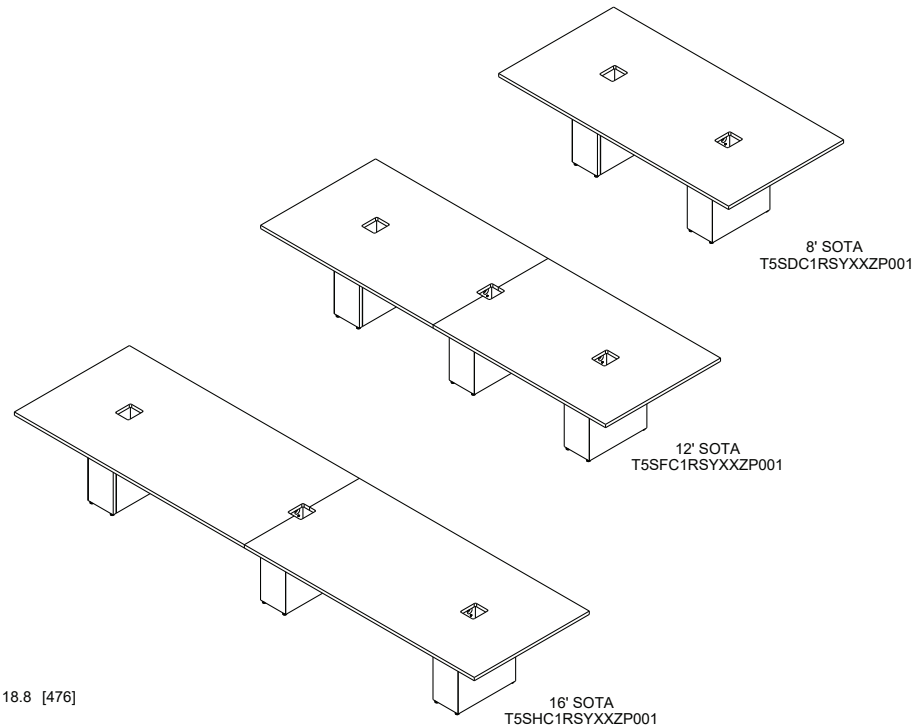
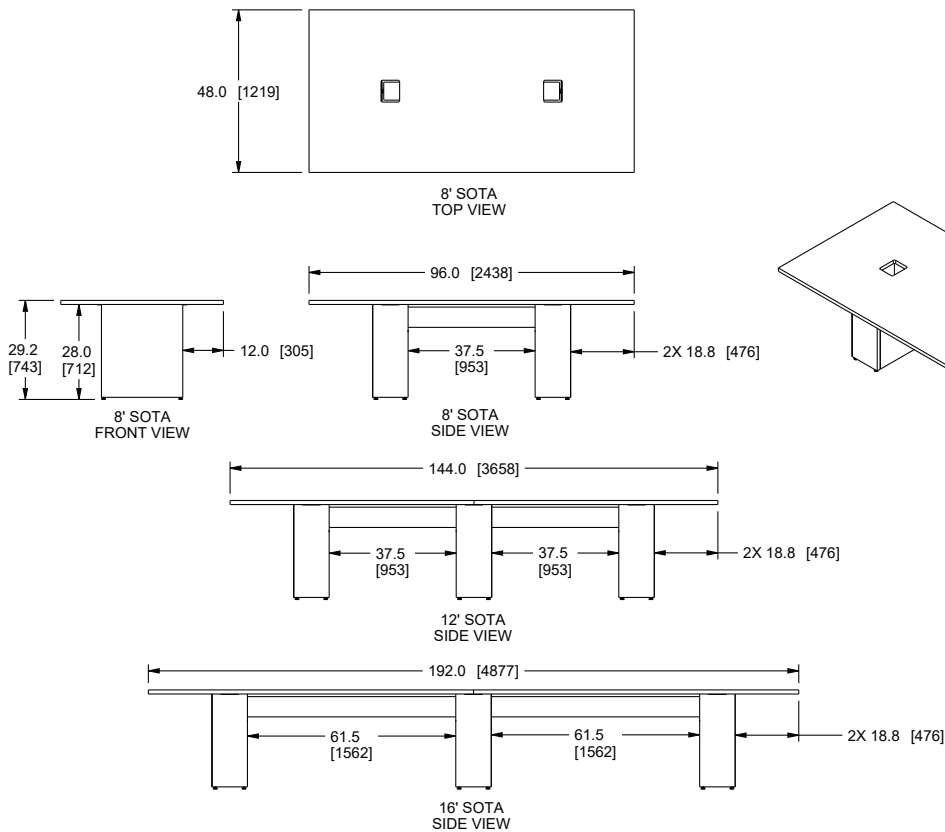
Y = H FOR HPL, V FOR VENEER

HPL FINISHES

XX = A0 FOR 5TH AVE ELM, A3 FOR ASIAN NIGHT, B3 FOR GLAMOUR CHERRY

VENEER FINISHES

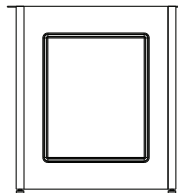
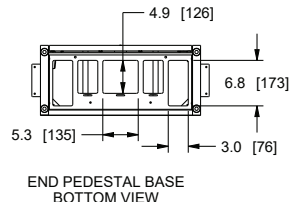
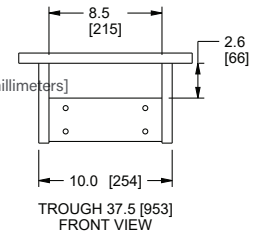
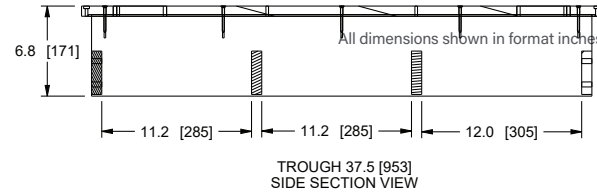
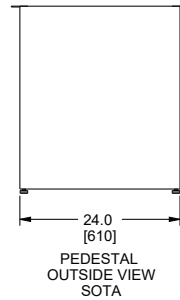
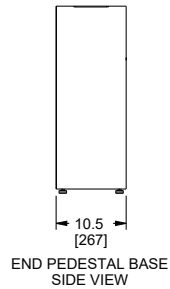
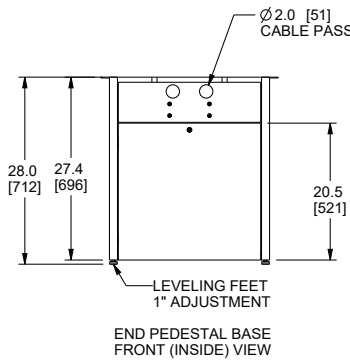
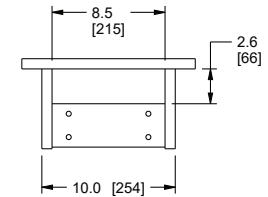
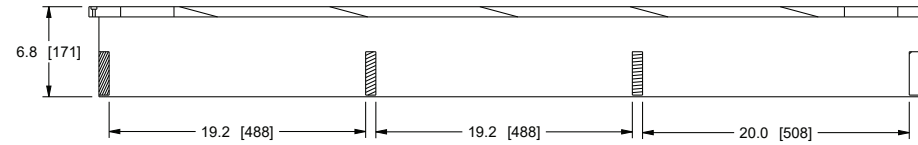
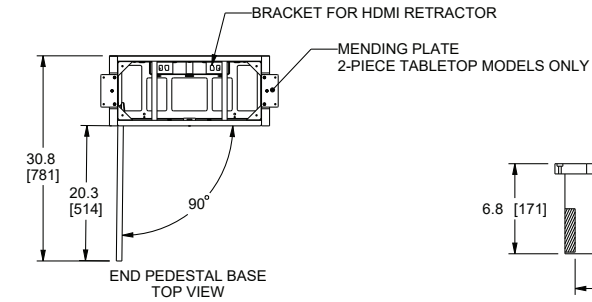
XX = 04 FOR SANDY MAPLE, 01 FOR SCARLETT CHERRY, 07 FOR SEPIA WALNUT



All dimensions shown in format inches [millimeters]

# T5 Series

## Basic Dimensions



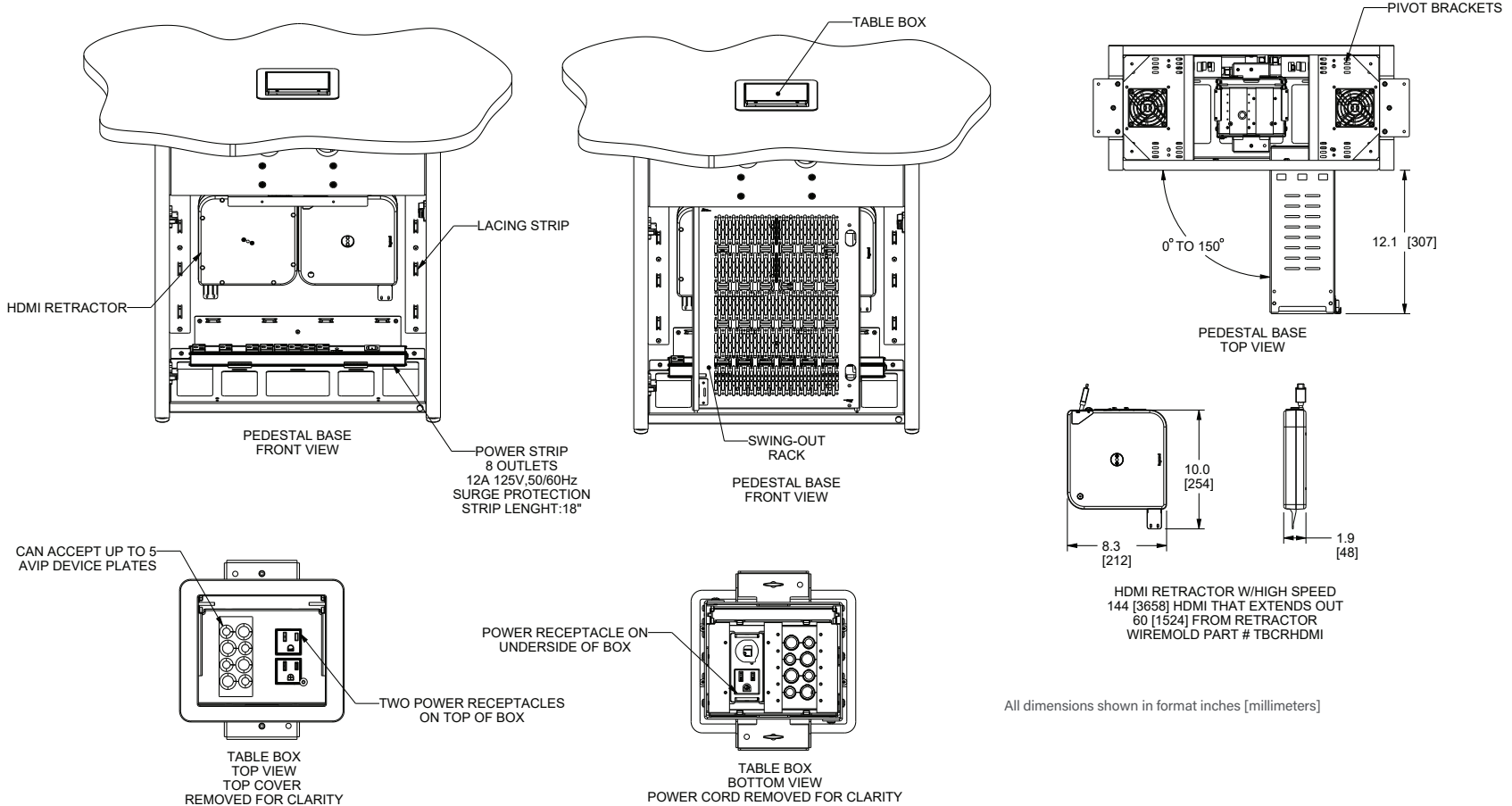
All dimensions shown in format inches [millimeters]

# T5 Series

## Basic Dimensions

TECHKIT*	SIZE	TABLE BOX	8 OUTLET POWER STRIP, IEC	IEC 72"(6') CORD	IEC 144"(12') CORD	IEC 180"(15') CORD	HDMI RETRACTOR	T5-RACK-KIT
T5-TECHKIT8X	8'	2	1	1	NA	NA	4	1
T5-TECHKIT12X	12'	3	2	1	1	NA	6	1
T5-TECHKIT16X	16'	3	2	1	NA	1	6	1

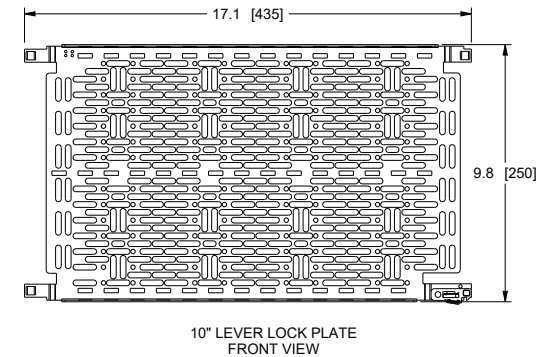
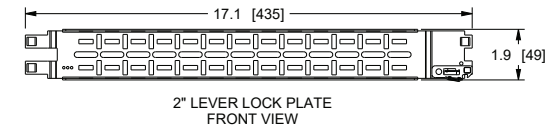
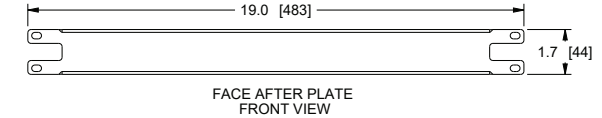
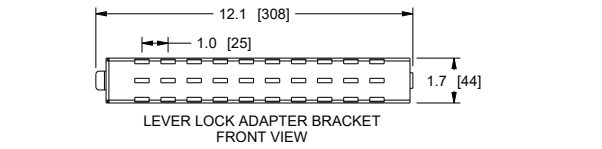
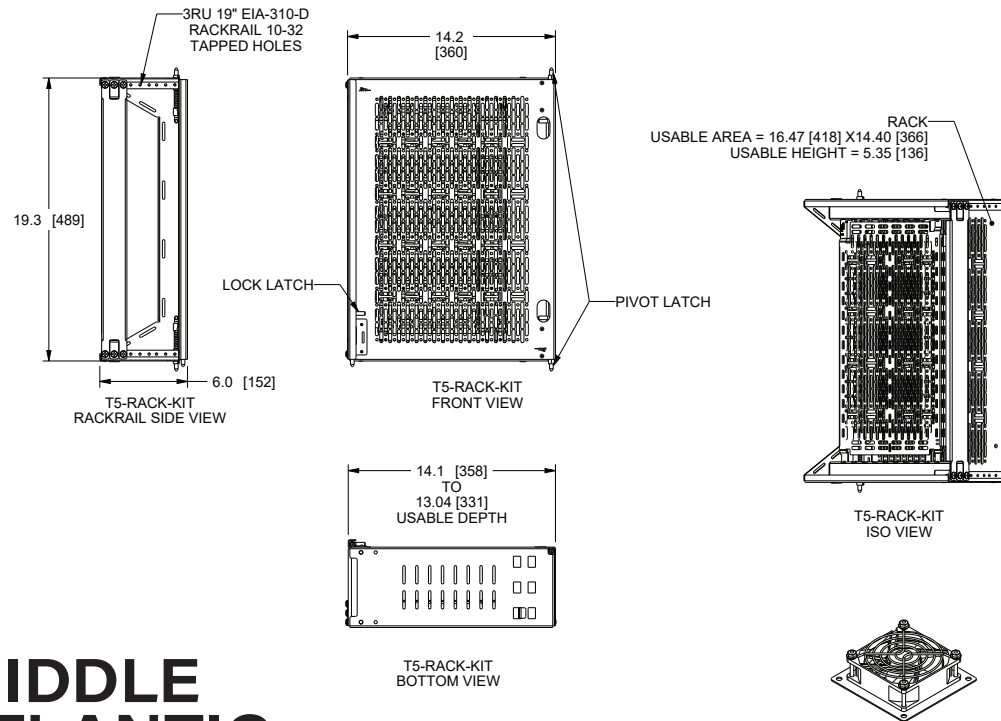
X = S FOR SILVER, B FOR BLACK  
\*MUST ORDER 1 QTY. WITH EACH TABLE



# T5 Series

## Basic Dimensions

	SWING-OUT RACK QTY	FACE AFTER PLATE QTY	2" LEVER LOCK PLATE QTY	10" LEVER LOCK PLATE QTY	LEVER LOCK ADAPTER BRACKET QTY
T5-RACK-KIT	1	1	2	1	2
T5-LLOCKBKT-KIT	NA	1	2	1	2



All dimensions shown in format inches [millimeters]

**MIDDLE ATLANTIC**

A brand of **Legrand**

LEGRAND | AV COMMERCIAL BRANDS

C2G | Chief | Da-Lite | Luxul | Middle Atlantic | Vaddio | Wiremold

WHAT GREAT SYSTEMS ARE BUILT ON™ | [legrandav.com](http://legrandav.com)

USA 800.266.7225 [av.middleatlantic.support@legrand.com](mailto:av.middleatlantic.support@legrand.com) CANADA 888.766.9770 [av.middleatlantic.support@legrand.com](mailto:av.middleatlantic.support@legrand.com)

©2023 Legrand AV Inc. 230460 Rev B 6/23 Middle Atlantic is a registered trademark of Legrand AV Inc. All other brand names or marks are used for identification purposes and are trademarks of their respective owners. All patents are protected under existing designations. Other patents pending.