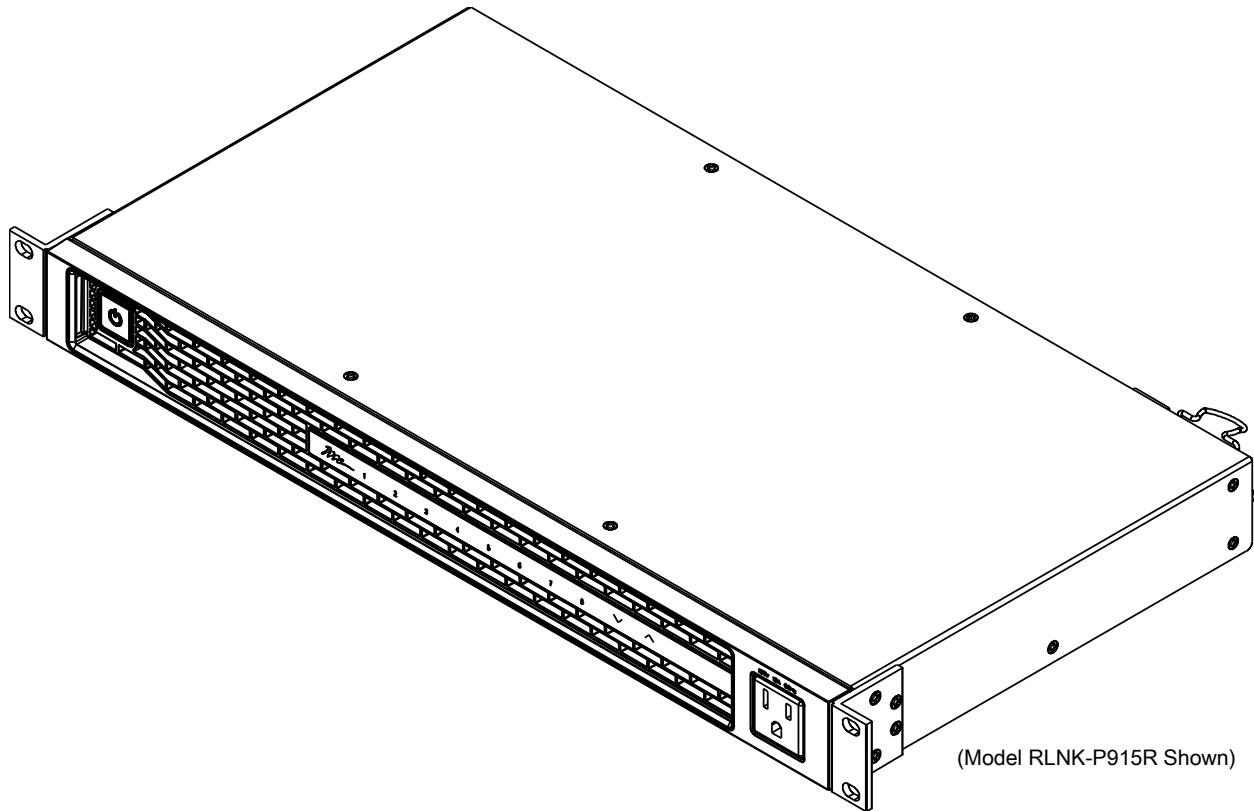


QUICK START GUIDE

# PREMIUM+ PDU WITH RACKLINK™

MONITOR | CONTROL | ALERT | REPORT | ANALYZE



(Model RLNK-P915R Shown)

## THANK YOU

Thank you for purchasing a Premium+ PDU with RackLink™ product. Please read these instructions thoroughly before installing or assembling this product.



## IMPORTANT SAFETY INSTRUCTIONS

- Read these instructions.
- Heed all warnings.
- Clean only with dry cloth.
- Keep these instructions.
- Follow all instructions.
- Only use attachments/accessories specified by the manufacturer.



**DANGER HAZARDOUS VOLTAGE:** The lightning flash with the arrowhead symbol, within an equilateral triangle is intended to alert the user to the presence of uninsulated dangerous voltage within the product's enclosure that may be of sufficient magnitude to constitute a risk of electric shock to persons.



**WARNING:** A warning alerts you to a situation that could result in serious personal injury or death.



**CAUTION:** A caution alerts you to a situation that may result in minor personal injury or damage to the product and/or property.

**NOTE:** A note is used to highlight procedures pertaining to the installation, operation, or maintenance of the product.



**WARNING:** Failure to read, understand and follow the following information can result in serious personal injury, damage to the equipment or voiding of the warranty. It is the responsibility of the Installer/User to ensure that this product is loaded according to specifications.



**CAUTION:** The socket-outlet shall be installed near the equipment and shall be easily accessible.



**CAUTION:** Use indoor in dry locations only.

## INSTRUCTIONS IMPORTANTES SUR LA SÉCURITÉ

- Lire ces instructions.
- Respectez tous les avertissements.
- Nettoyer uniquement avec un chiffon sec.
- Conservez ces instructions.
- Suivez toutes les instructions.
- N'utilisez que des accessoires spécifiés par le fabricant.



**DANGER TENSION DANGEREUSE:** Le symbole de la pointe de flèche, dans un triangle équilatéral, est destiné à alerter l'utilisateur sur la présence de tension dangereuse non isolée dans l'enceinte du produit qui peut être d'une ampleur suffisante pour constituer un risque d'électrocution.



**AVERTISSEMENT:** Un avertissement vous avertit d'une situation pouvant entraîner des blessures graves ou la mort.



**ATTENTION:** Une attention vous avertit d'une situation pouvant entraîner des blessures mineures ou des dommages au produit et/ou à la propriété.

**REMARQUE:** Une remarque est utilisée pour mettre en évidence les procédures relatives à l'installation, au fonctionnement ou à l'entretien du produit.



**AVERTISSEMENT:** Ne pas lire, comprendre et suivre les informations suivantes peut entraîner des blessures graves, des dommages à l'équipement ou de la nullité de la garantie. Il incombe à l'installateur/utilisateur de s'assurer que ce produit est chargé conformément aux spécifications.



**ATTENTION:** La prise de courant doit être installée près de l'équipement et doit être facilement accessible.



**ATTENTION:** Pour être utilisé en intérieur dans un endroit sec seulement.

# Premium+ PDU with RackLink Quick Start Guide

Thank you for purchasing Middle Atlantic Products Premium+ PDU with RackLink (referred to in this document as PDU). This Quick Start Guide explains the initial installation and configuration of a network-connected PDU. For more detailed installation instructions and uses, refer to the Premium+ PDU with RackLink User Manual at [www.middleatlantic.com/resources/power-downloads.aspx](http://www.middleatlantic.com/resources/power-downloads.aspx).

**WARNING:** For safety instructions, refer to the Premium+ PDU with RackLink User Manual.

**AVERTISSEMENT:** Pour obtenir des instructions de sécurité, reportez-vous à la Premium+ PDU with RackLink User Manual.

## Before You Begin

Prepare the installation site. Make sure the installation area is clean and not exposed to extreme temperatures or humidity. Allow sufficient space around the device for cabling and outlet connections.

## Supplied Components and Hardware

Unpack the following components:

- Rackmount PDU: A
- (4x) Mounting Screw: B
- Cable Retention Clip: C
- Power Cable: D
- (2x) Mounting Bracket: E

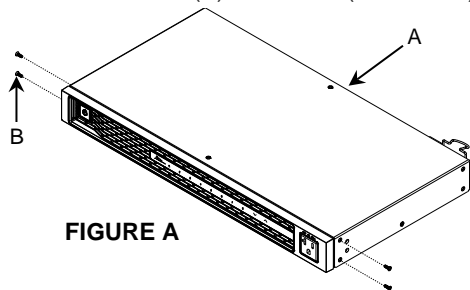
If any pieces are missing or damaged, please report it to Technical Support at [techsupport@middleatlantic.com](mailto:techsupport@middleatlantic.com).

## Required Tools

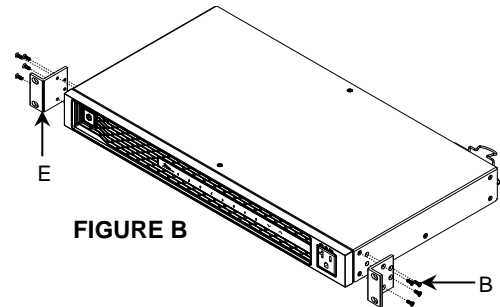
- #1 Phillips Screwdriver

## Mounting Your PDU

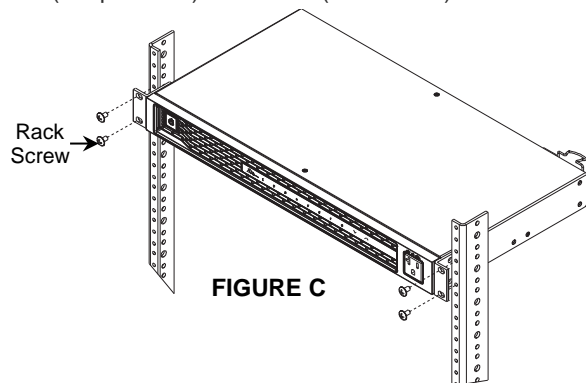
1. Remove (2x) pre-installed mounting screws (B) from both front sides of the PDU (A) as shown. (FIGURE A)



2. Use the (2x) mounting screws just removed and additional mounting screws (B) provided to attach a mounting bracket (E) to each side of the unit as shown (4x screws per bracket). (FIGURE B)



3. Attach the mounting brackets to the rack using rack screws (not provided) as shown. (FIGURE C)



## Connecting Your PDU

1. Install the cable retention clip (C) by inserting two ends of the clip into the two tiny holes adjacent to the inlet as shown. (FIGURE D)

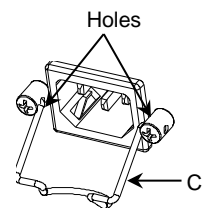


FIGURE D

2. Connect the power cable to the inlet, and position the clip to hold the power cable (D) as shown. (FIGURE E)

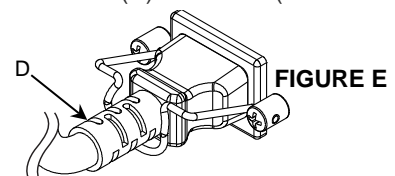


FIGURE E

3. Connect the other end of the power cable to an appropriately rated branch circuit.

4. Connect a standard Cat5e cable (or better, not provided) to the ETHERNET port on your PDU.
5. Connect the other end of the Cat5e cable to your network.
6. Press the power button on the front left (facing) of your PDU.
7. Your PDU then powers up and performs a brief self-test.

### Initial Network Configuration via Device Discovery

Download and install the Device Discovery software for PC and MAC from

[www.middleatlantic.com/resources/power-downloads.aspx](http://www.middleatlantic.com/resources/power-downloads.aspx).

1. After launching your RackLink Device Discovery program, the tool automatically discovers all PDUs on the subnet to which you are connected.

Use the Discover button to refresh the screen and discover any newly connected PDUs.

By default, the PDU is set for DHCP. You can identify each device by the MAC address or IP address.

---

*Note: You may need to disable your Windows firewall to discover your PDU. Contact your network administrator for assistance.*

---

2. Click Device Control to access the default network interface for a specific device.  
The system prompts you for a username and password.

### Default Interface Address and Account Information

- Default network interface address:  
192.168.1.200
- Default administrator account credentials:  
Username: **admin**  
Password: **admin**
- Default user account credentials:  
Username: **user**  
Password: **user**

---

## WARRANTY

For warranty information, refer to <http://www.middleatlantic.com/company/about-us.aspx#warranty>.

### Corporate Headquarters

Voice: 973-839-1011 – Fax: 973-839-1976 – International Voice: +1 973-839-8821 –  
Fax: +1 973-839-4982 – [www.middleatlantic.com](http://www.middleatlantic.com) – [info@middleatlantic.com](mailto:info@middleatlantic.com)

### Middle Atlantic Canada

Voice: 613-836-2501 – Fax: 613-836-2690 – [ca.middleatlantic.com](http://ca.middleatlantic.com) – [customerservicecanada@middleatlantic.ca](mailto:customerservicecanada@middleatlantic.ca)

### Middle Atlantic EMEA Technical Support

Voice: +31 (0) 495 726002 - [av.emea.middleatlantic.support@legrand.com](mailto:av.emea.middleatlantic.support@legrand.com)

### Factory Distribution

United States: New Jersey, California, Illinois - Canada: Ontario - The Netherlands: Weert

**At Middle Atlantic Products we are always listening. Your comments are welcome.**

**Middle Atlantic Products is an ISO 9001 and ISO 14001 Registered Company.**