

ViewPoint™ Series

monitoring console system

flexible, scalable system has been designed for optimum operator effectiveness

features:

- Fully welded bays provide a heavy-duty structure that can be assembled quickly
- Available with an 18" deep work surface or 34" desktop
- A large variety of standard finishes available
- Most configurations ship in 3 weeks or less
- Custom finishes and work surfaces available upon request
- UL Listed in the US and Canada
- GREENGUARD IAQ certified
- LCD monitors can be mounted using optional monitor arms



specifications:

ViewPoint™ Series monitoring console system shall be Middle Atlantic Products model # VC-_____. Overall dimensions of the console bays shall be __"W x 30"H x 19"D. Console system shall feature welded steel bays of Uni-Frame™ construction and extensible design that provides optimal structural integrity, and unrestricted cable management and access. Console system shall have exterior support foot placement that provides support and unimpeded chair/operator movement. Work surface/ Desktop shall have cantilevered supports that provide unimpeded leg movement. Each 24" width bay shall accept rackrail or a slide-out CPU tray. Each 24" bay shall have a 250 lb. weight capacity. Shall include 2 horizontal, segregated raceways in each bay and wedge, configurable for upper or lower bay installation. Shall include a minimum of one 15 amp duplex per 24" bay (work surface only). Work surfaces shall have a 3 position height selection. ViewPoint shall be available with an 18" deep work surface or 34" deep desktop (visit middleatlantic.com for available RTF thermolaminate finishes) and constructed of 1-1/8" thick triple-refined MDF. Connecting wedges shall be available with 15°, 22°, 30°, 45° and 90° (forward) and 15°, 22°, and 30° (reverse) angles. Extender bays shall be available to provide a total of 33" or 39" of useable depth. Bays shall be constructed of 11 and 14 gauge steel and finished in a fingerprint resistant black textured powder coat. ViewPoint shall have 3" and 4" cable pass-throughs trimmed with plastic bushings to create a smooth internal surface. ViewPoint shall include all tools needed for the assembly of the console. Grounding and bonding stud shall be 1/4-20 threaded, installed in base of the bay, 2 per bay. ViewPoint shall satisfy the 2007 & 2010 CBC; 2006, 2009 & 2012 IBC; ASCE 7-05 (2005 Edition) & ASCE 7-10 (2010 Edition) and the 2006 & 2009 editions of NFPA 5000 for use in areas of high seismicity, Seismic Use Group III, Zone 4 or Seismic Design Category (SDC) "D" with lateral force requirements for protecting 320 lbs. per 24" section of essential equipment in locations with the highest level of seismicity and top floor or rooftop installations with an Importance factor (Ip) of 1.5. ViewPoint system shall meet ANSI-BIFMA, BSR/HFES 100, and VESA guidelines and requirements. ViewPoint shall be UL Listed in the US and Canada. ViewPoint shall be GREENGUARD Gold Certified. ViewPoint enclosure shall be RoHS EU Directive 2002 / 95 / EC compliant. ViewPoint shall be manufactured by an ISO 9001 and ISO 14001 registered company. Steel components shall be warranted to be free from defects in material or workmanship under normal use and conditions for the lifetime of the product. Thermolaminate components shall be warranted to be free from defects in material or workmanship under normal use and conditions for a period of 7 years.

Customizable specification clips available at middleatlantic.com

EIA/TIA COMPLIANT



PRODUCT CERTIFIED FOR
LOW CHEMICAL EMISSIONS
UL.COM/GG
UL 2818

SEISMIC CERTIFIED



what **great systems** are built on.™

A brand of **legrand**

Middle Atlantic Products

middleatlantic.com | middleatlantic.ca

96-01132 / rev h / 6-11-18

ViewPoint™ Series

monitoring console system

options

Monitor Mounts – shall be available to accommodate 1, 2, 3, or 4 monitors. Shall mount to the rear top of 12", 24", 36", 48" or 72" console bays. Shall tilt and pivot. Shall be hinged, articulating or counter-balanced. Shall be constructed of cast aluminum with steel fittings. Shall be VESA compliant. Shall have a weight capacity of, by model:

Part #	Weight Capacity Per Monitor	Total Weight Capacity
MM3-1X1BLK	2.2-19.8 lbs.	19.8 lbs.
MM3-2X1BLK	2.2-19.8 lbs.	39.6 lbs.
MM3-1X2BLK	17.6 lbs.	35.2 lbs.
MM3-2X2BLK	17.6 lbs.	70.4 lbs.
MM3-3X1BLK	17.6 lbs.	52.8 lbs.

Large Format Monitor Mount – shall accommodate monitors with a 32" to 41" screen size (model # VC-MM32X41) and 42" to 63" screen size (model # VC-MM42X63) and mount to the rear top of the console bay. Shall be VESA compliant.

Rackrail – 10 space rackrail shall be available for horizontal equipment mounting in the front/rear of any 24" section of a 24", 36", 48" or 72" bay and shall be part # VC-B24-RR10. 6 Space rackrail for vertical equipment mounting in the top of any 24" section of a 24", 36", 48" or 72" bay, for use with work surface only, and shall be part # VC-TRK. Rackrail shall conform to EIA standards. Rackrail shall be constructed of 11-gauge steel. Shall be infinitely adjustable front-to-rear.

CPU Tray – Slide-out CPU tray shall mount in any 24" section of a 24", 36", 48" or 72" bay, and shall configure to slide out of the front or rear. Slide-out CPU tray shall have useable dimensions of 19"W x 14.25"D, extend 13" and have a weight capacity of 75 lbs. Slide out CPU tray shall be part # VC-2419ST.

Extender Bay - Extender Bay shall mount to the front of any 24" section of a 24", 36", 48" or 72" bay. Extender bay shall have 12 space front rackrail and 10 space rear rackrail. Extender bays shall be available in the following depths and configurations:

Part #	Door type	Useable Depth	Total Useable Depth
VC-2418X-PD	Plexiglass	18"	33"
VC-2418X-VD	Vented	18"	33"
VC-2424X-PD	Plexiglass	24"	39"
VC-2424X-VD	Vented	24"	39"

Rear fan door – Rear fan door shall replace standard rear console door on any 24" wide bay. Rear fan door shall provide 100 CFM of air extraction, generate less than 27 db, and be thermostatically switched. Part# shall be VC-B24-FD.

Bookshelf – Bookshelf shall be available to mount in front of any 24" bay, on the end of a storage cabinet or peninsula, part # VC-B24 or to the end of any row of consoles in place of side panel, part # VC-B34.

Storage Cabinet – Storage cabinet shall be constructed of constructed of 1" thick high pressure laminate on particle core. Dimensions shall be 23-1/2"W X 36"D. Storage cabinet shall have positionable glass doors and rear covers. Storage cabinet shall mounts to the front of any 24" section of a 24", 36", 48" or 72" bay and have a matching surface. Storage cabinet part # shall be VC-3624-GD.

Peninsula – Peninsula shall be constructed of 1-1/8" thick triple-refined MDF. With an Impact resistant to RTF thermolaminate finish. Peninsula dimensions shall be 24"W x 36"D. Peninsula shall mount to the front of any 24" section of a 24", 36", 48" or 72" bay. Peninsula shall be part # VC-PEN-3624.

Side Panels – Side panels shall be available in 3 styles, and be constructed of 1" thick triple-refined MDF. Side panels shall consist of a left and right side and mount to any 12", 24", 36", 48" or 72" bay.

File Cabinet – File cabinet shall have 2 drawers and be constructed of 16" and 18 gauge steel. File cabinet dimensions shall be 18"D x 24-1/4" H. File cabinet shall fit underneath a peninsula, and have swivel casters for ease of movement. File cabinet shall be part # VC-FC-2.

Articulating Keyboard Shelf – Articulating keyboard shelf shall mount underneath the work surface/desktop. Shelf shall slide underneath the work surface/desktop when not in use. Shelf shall be adjustable in height and have a useable area of 31" W x 10-1/2"D. Shelf shall be part # VC-KBS.

Top Mount Turret Racks – To mount turret racks shall be available with 4 or 9 rackspaces, have a minimum 8-1/2" useable depth, and work with consoles with an 18" deep work surface only. Top mount turret racks shall mount to any 24" section of a 24", 36", 48" or 72" bay.

Part #	# of rackspaces	Mounts to
VC-TR2419-4	4	24", 48", 72" bay
VC-TR3619-4	4	36" bay
VC-TR2419-6	6	24", 48", 72" bay
VC-TR3619-6	6	36" bay
VC-TR2419-9	9	24", 48", 72" bay
VC-TR3619-9	9	36" bay

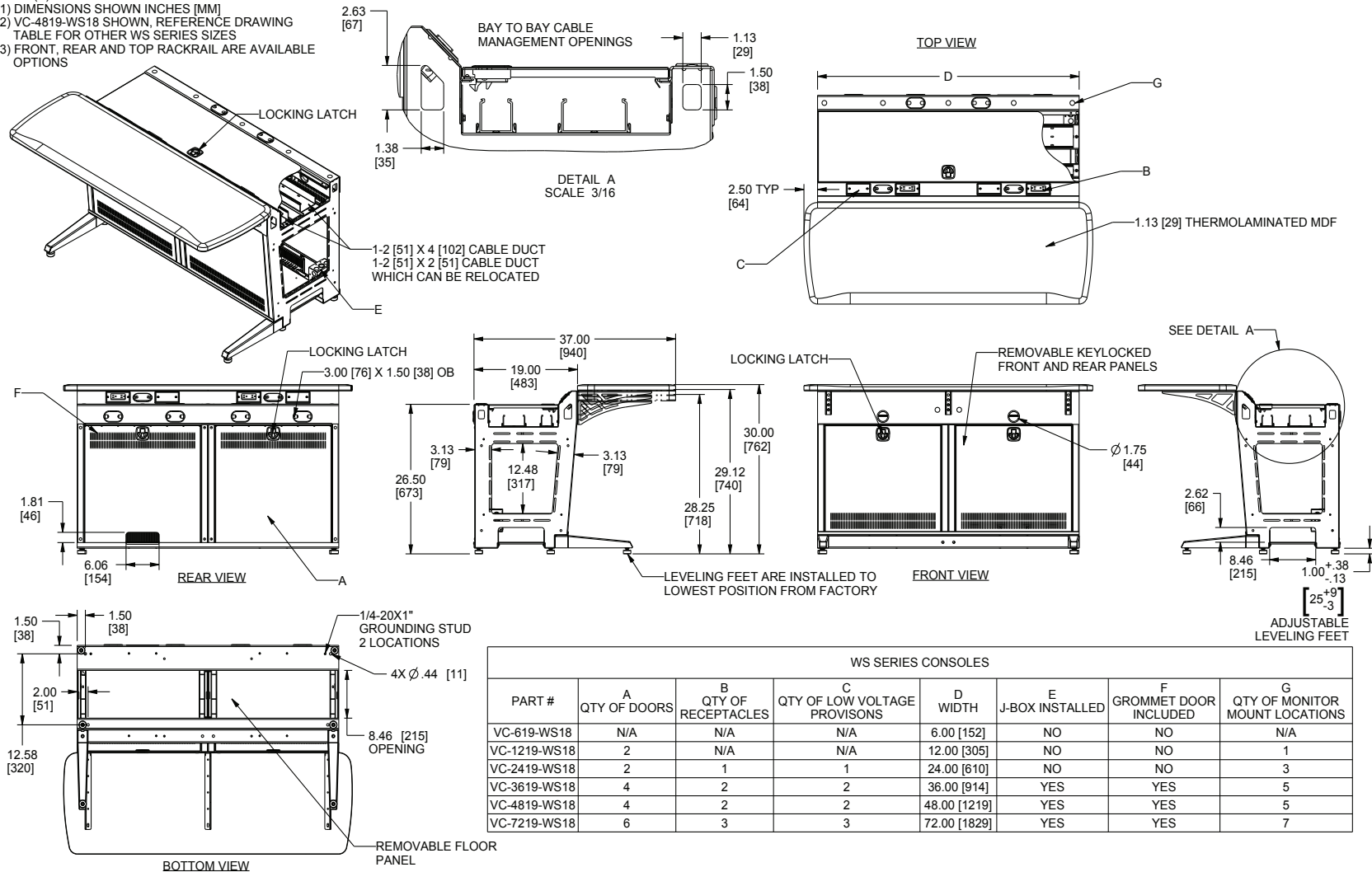
Chair – Fully adjustable, ergonomically designed professional use monitoring chair shall have a 15 year warranty, and shall be part # CHAIR-CF1-B.

ViewPoint™ Series

basic dimensions

NOTE(S):

- 1) DIMENSIONS SHOWN INCHES [MM]
- 2) VC-4819-WS18 SHOWN, REFERENCE DRAWING TABLE FOR OTHER WS SERIES SIZES
- 3) FRONT, REAR AND TOP RACKRAIL ARE AVAILABLE OPTIONS



what great systems are built on.™

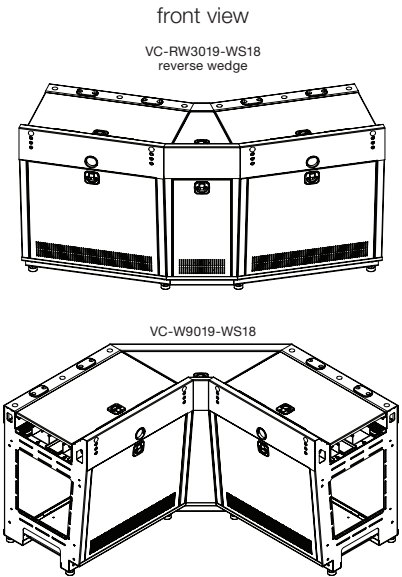
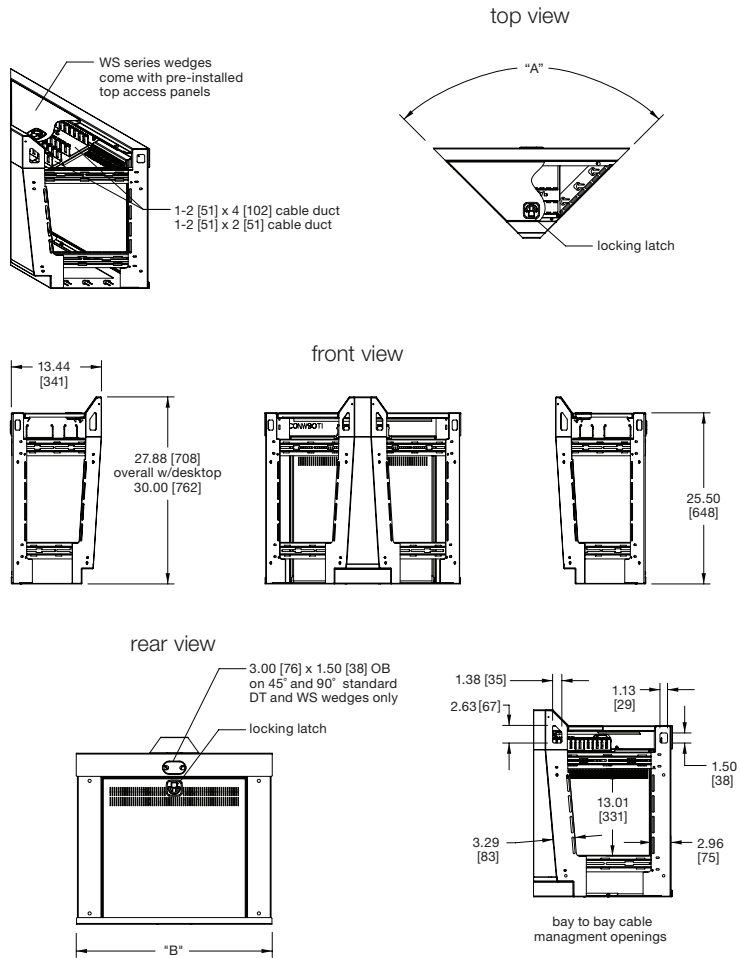
A brand of **legrand**

Middle Atlantic Products
middleatlantic.com | middleatlantic.ca

ViewPoint™ Series

basic dimensions

all dimensions in inches unless otherwise noted [all dimensions in brackets are in millimeters]



Part#	"A" Angle	"B" Width	Cable Ducts	Rear Door	Front Door
VC-W1519-WS18	15°	7.42 [188]	N/A	N/A	N/A
VC-W2219-WS18	22.5°	9.85 [250]	N/A	N/A	N/A
VC-W3019-WS18	30°	12.29 [312]	N/A	yes	N/A
VC-W4519-WS18	45°	16.98 [431]	yes	yes	N/A
VC-W9019-WS18	90°	29.21 [742]	yes	yes	N/A
VC-RW1519-WS18	-15°	2.53 [64]	N/A	N/A	N/A
VC-RW2219-WS18	-22.5°	2.54 [65]	N/A	N/A	N/A
VC-RW3019-WS18	-30°	2.55 [65]	N/A	N/A	yes

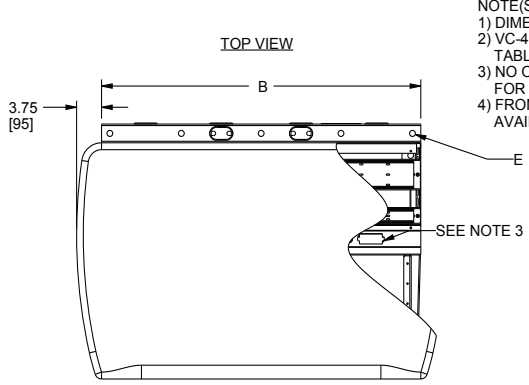
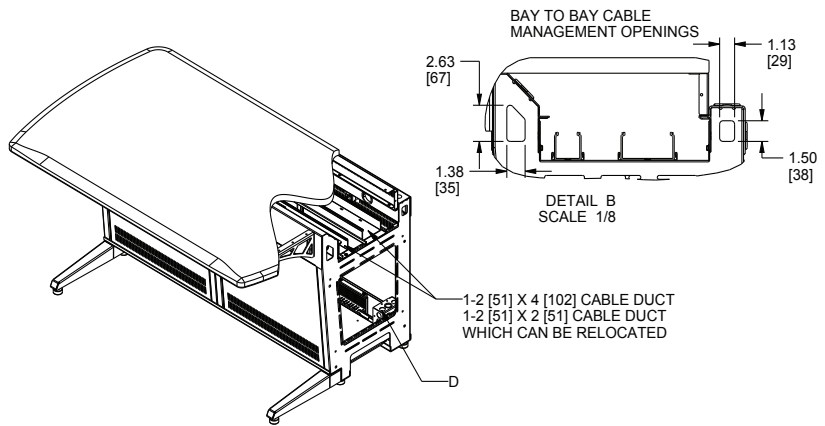
what **great systems** are built on.™

A brand of **legrand**

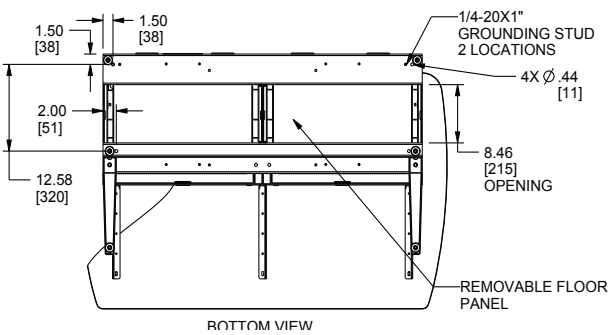
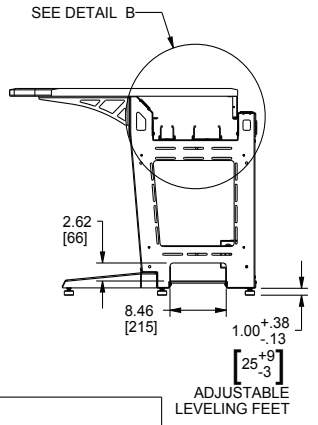
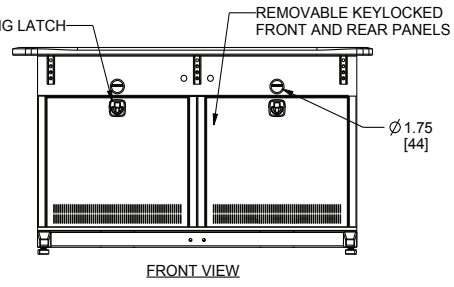
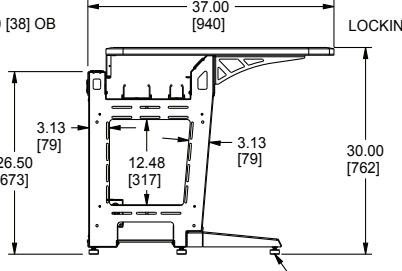
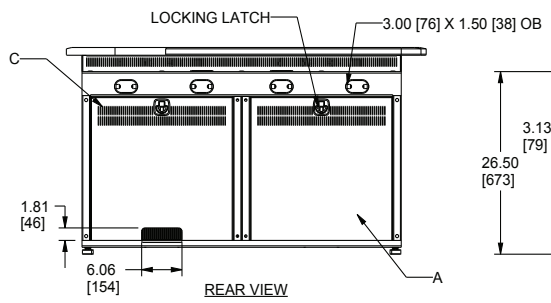
Middle Atlantic Products
middleatlantic.com | middleatlantic.ca

ViewPoint™ Series

basic dimensions



NOTE(S):
 1) DIMENSIONS SHOWN INCHES [MM]
 2) VC-4819-DT34 SHOWN, REFERENCE DRAWING TABLE FOR OTHER DT SERIES SIZES
 3) NO OUTLETS OR COVERS ARE PROVIDED FOR DT SERIES CONSOLES
 4) FRONT, REAR AND TOP RACKRAIL ARE AVAILABLE OPTIONS



DT SERIES CONSOLES					
PART #	A QTY OF DOORS	B WIDTH	C GROMMET DOOR INCLUDED	D J-BOX INSTALLED	E QTY OF MONITOR MOUNT LOCATIONS
VC-619-DT34	N/A	6.00 [152]	NO	NO	N/A
VC-1219-DT34	2	12.00 [305]	NO	NO	1
VC-2419-DT34	2	24.00 [610]	NO	NO	3
VC-3619-DT34	4	36.00 [914]	YES	YES	5
VC-4819-DT34	4	48.00 [1219]	YES	YES	5
VC-7219-DT34	6	72.00 [1829]	YES	YES	7

what great systems are built on.™

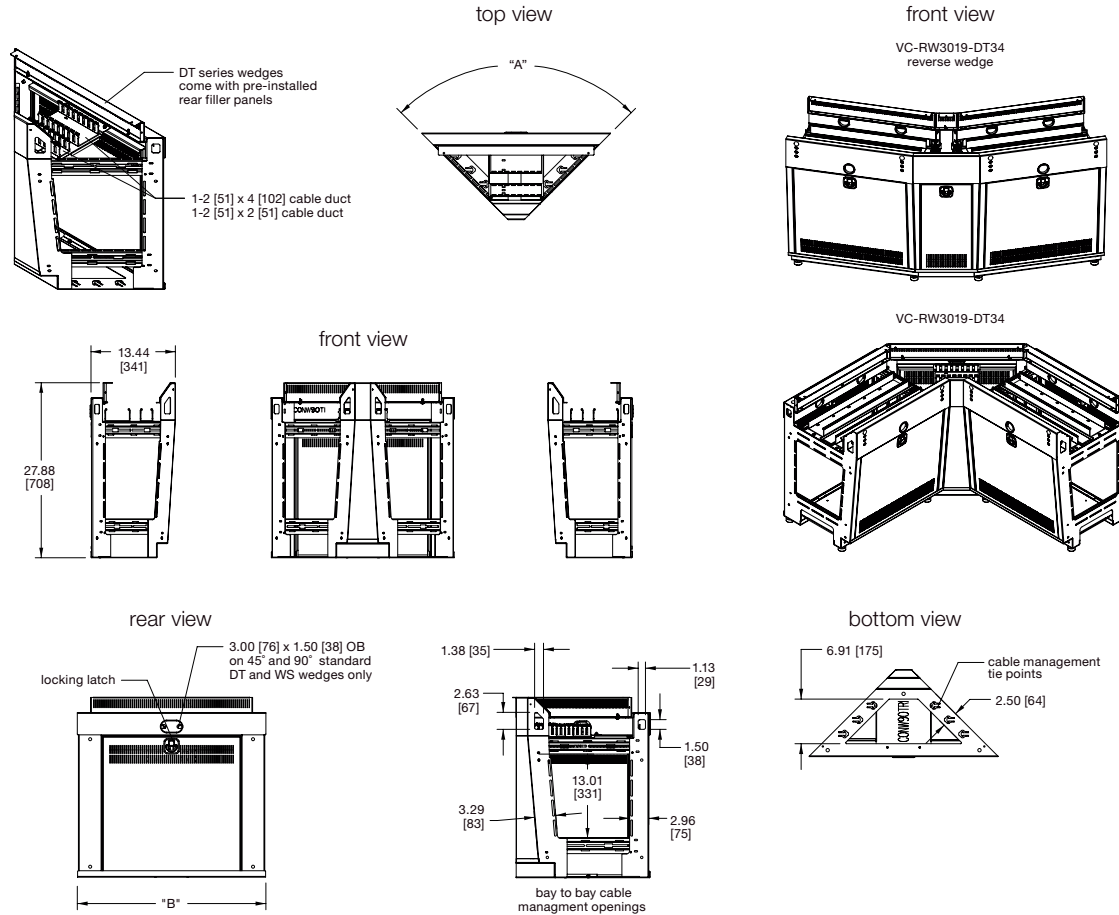
A brand of **legrand**

MA
 Middle Atlantic Products
 middleatlantic.com | middleatlantic.ca

ViewPoint™ Series

basic dimensions

all dimensions in inches unless otherwise noted [all dimensions in brackets are in millimeters]



Part#	"A" Angle	"B" Width	Cable Ducts	Rear Door	Front Door
VC-W1519-DT34	15°	7.42 [188]	N/A	N/A	N/A
VC-W2219-DT34	22.5°	9.85 [250]	N/A	N/A	N/A
VC-W3019-DT34	30°	12.29 [312]	N/A	yes	N/A
VC-W4519-DT34	45°	16.98 [421]	yes	yes	N/A
VC-W9019-DT34	90°	29.21 [742]	yes	yes	N/A
VC-RW1519-DT34	~15°	2.53 [64]	N/A	N/A	N/A
VC-RW2219-DT34	~22.5°	2.54 [65]	N/A	N/A	N/A
VC-RW3019-DT34	~30°	2.55 [65]	N/A	N/A	yes

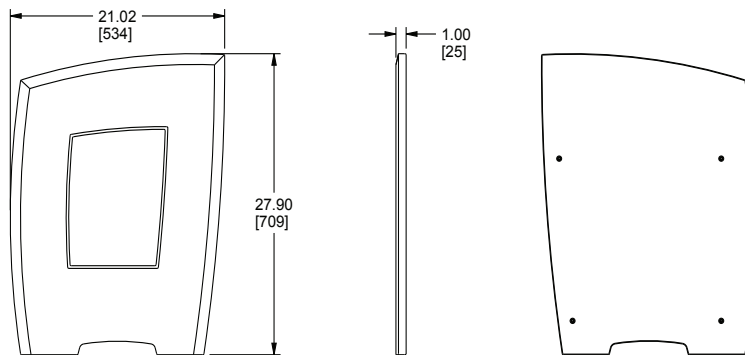
what great systems are built on.™

A brand of **legrand**

Middle Atlantic Products
middleatlantic.com | middleatlantic.ca

ViewPoint™ Series

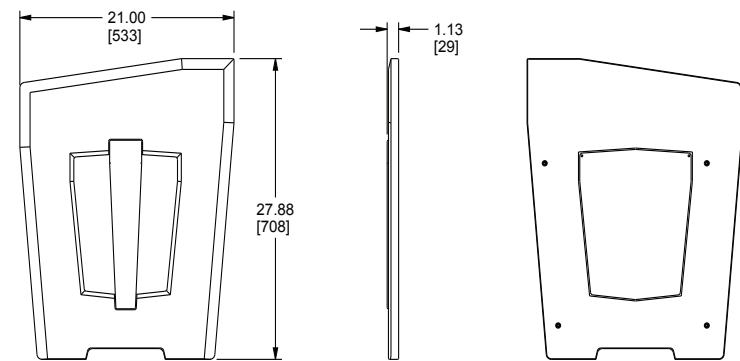
basic dimensions



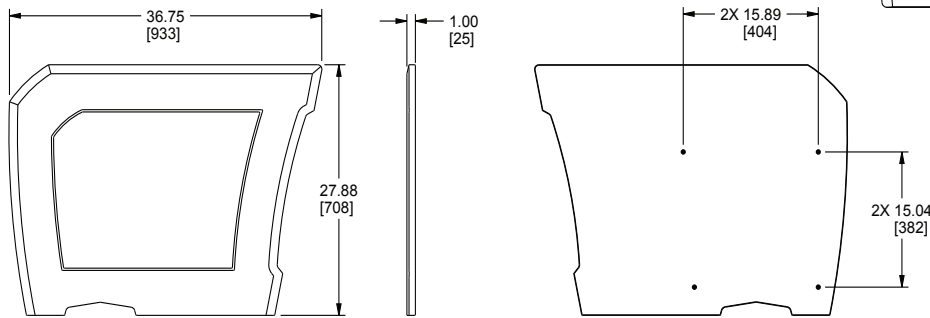
VC-SP1-19

NOTE(S):
 1) DIMENSION SHOWN INCHES [MM]
 2) ONLY LEFT SIDE PANELS SHOWN, MIRROR FOR RIGHT SIDE
 3) SIDE PANEL MOUNTING IS THE SAME FOR ALL 3 PANELS

SIDE PANEL OPTIONS



VC-SP2-19



VC-SP3-19

what great systems are built on.™

A brand of  Legrand

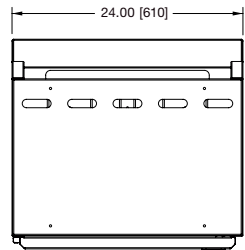

Middle Atlantic Products
 middleatlantic.com | middleatlantic.ca

ViewPoint™ Series

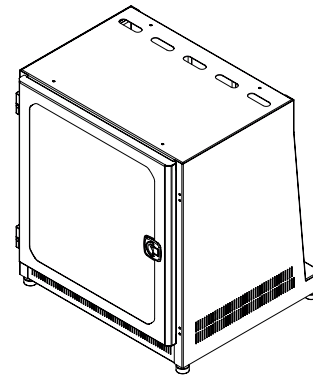
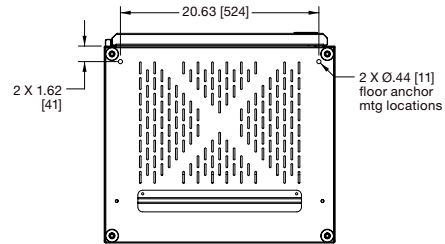
basic dimensions

all dimensions in inches unless otherwise noted [all dimensions in brackets are in millimeters]

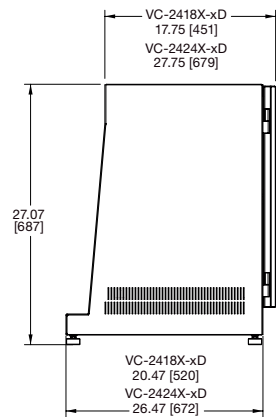
top view



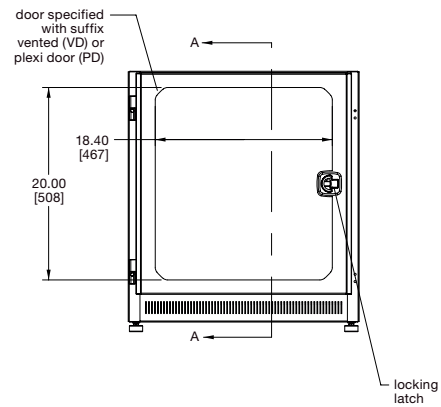
bottom view



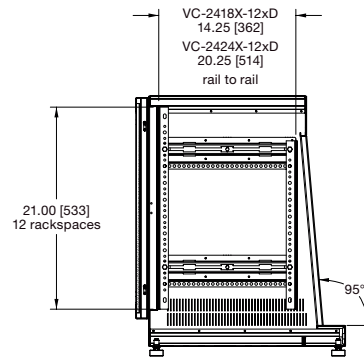
left side view



front view



section a



what **great systems** are built on.™

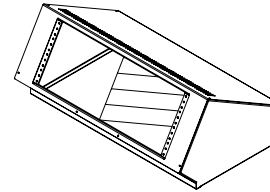
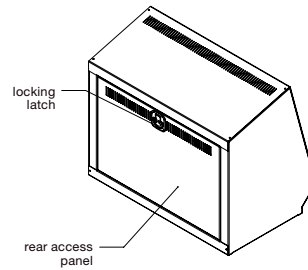
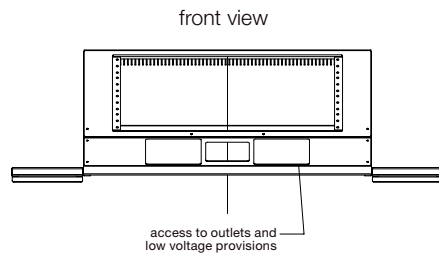
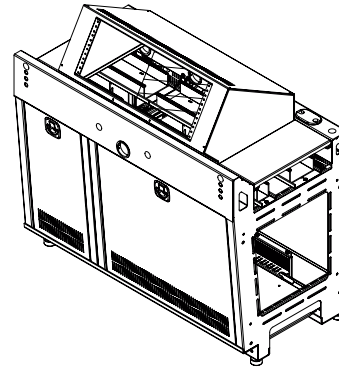
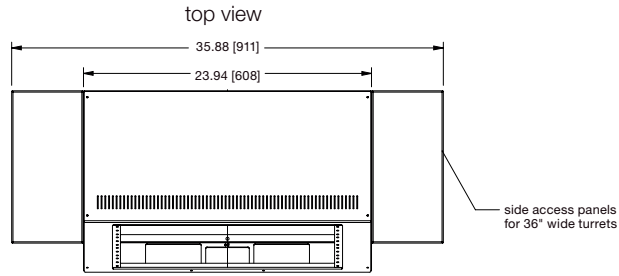
A brand of **legrand**

MA
Middle Atlantic Products
middleatlantic.com | middleatlantic.ca

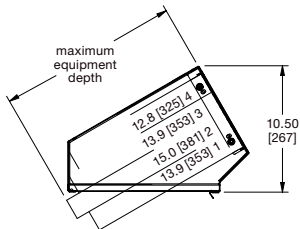
ViewPoint™ Series

basic dimensions

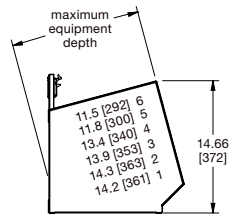
all dimensions in inches unless otherwise noted [all dimensions in brackets are in millimeters]



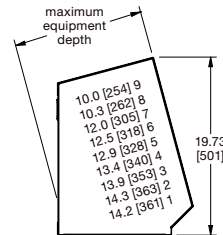
VC-TRXX19-4



VC-TRXX19-6



VC-TRXX19-9



Part#	Rack Units	Side Access Panels	Rear Access Panel
VC-TR2419-4	4	no	no
VC-TR3619-4	4	yes	no
VC-TR2419-6	6	no	yes
VC-TR3619-6	6	yes	yes
VC-TR2419-9	9	no	yes
VC-TR3619-9	9	yes	yes

what **great systems** are built on.™

A brand of **legrand**

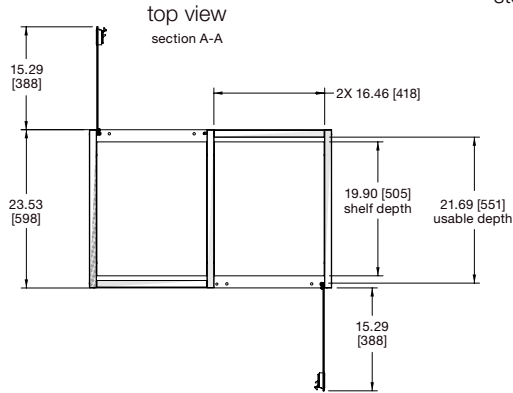
MA
Middle Atlantic Products
middleatlantic.com | middleatlantic.ca

ViewPoint™ Series

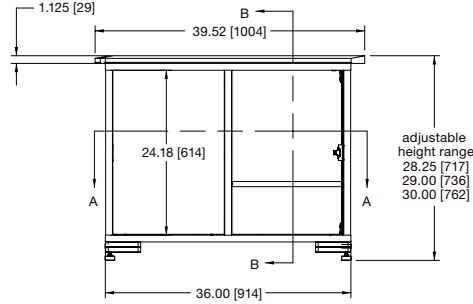
basic dimensions

all dimensions in inches unless otherwise noted [all dimensions in brackets are in millimeters]

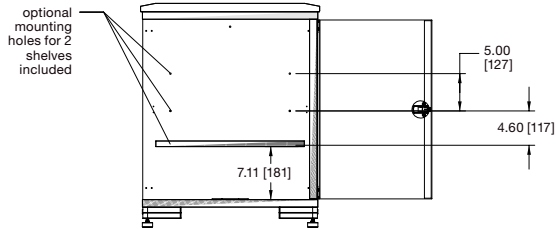
storage cabinet



front view

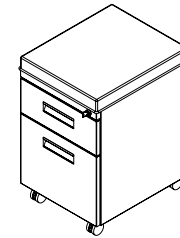
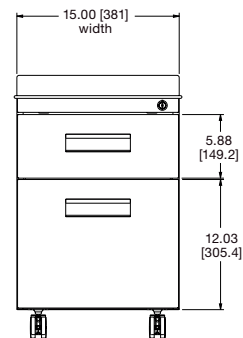
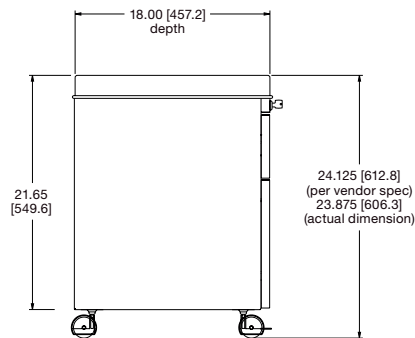


side view
section B-B



Notes:
Includes 2 positionable glass doors and covers
Cabinet adds 37.52 [953] in length when attached to console.
Length of free-standing cabinet VC-C3624GDFS-XX is 39.00 [991]

file cabinet



Notes:
casters, keys, and tray also included.
key code: "key all peds LL 226".

what great systems are built on.™

A brand of **Legrand**

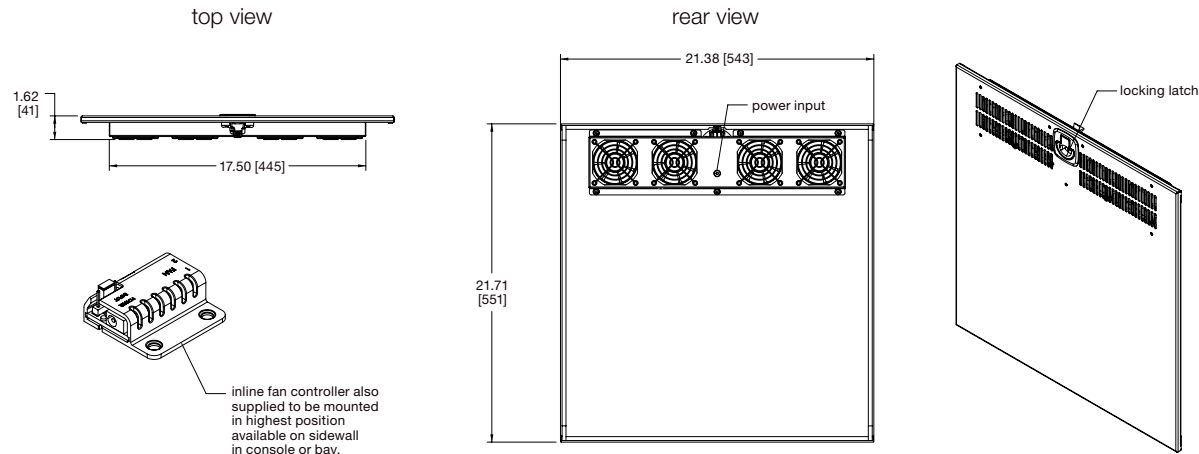
Middle Atlantic Products
middleatlantic.com | middleatlantic.ca

ViewPoint™ Series

basic dimensions

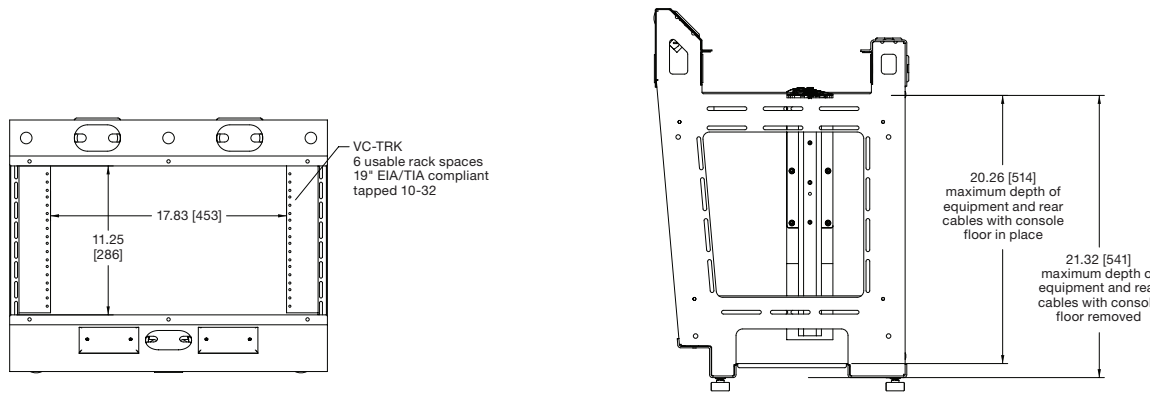
all dimensions in inches unless otherwise noted [all dimensions in brackets are in millimeters]

rear fan door



Notes:
 Rear fan door specifications:
 Fan Quantity: 4
 Airflow: 100 CFM
 Noise at full speed: 27 dB
 Current draw: 0.6A @ 12VDC

top rail kit



what great systems are built on.™

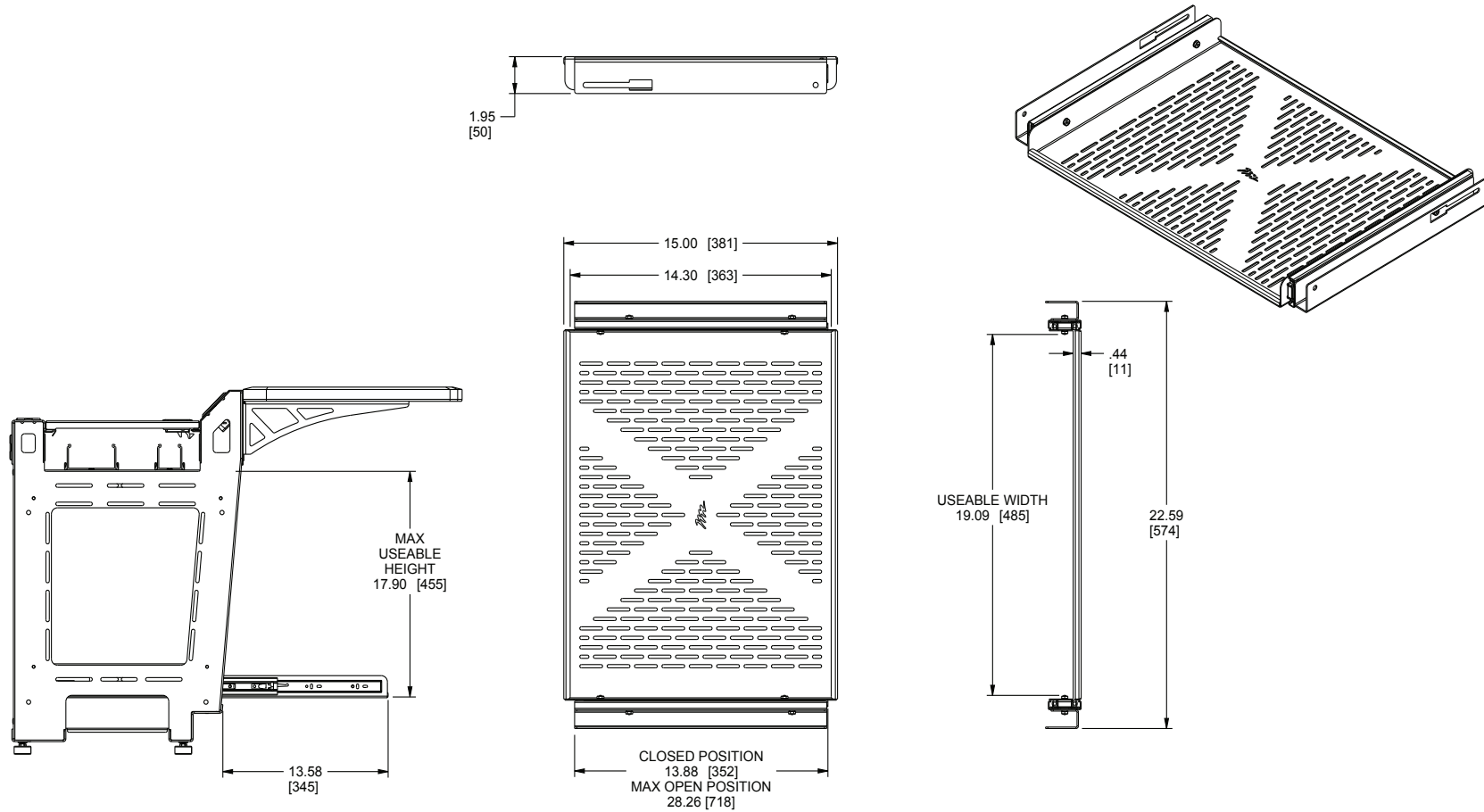
A brand of **legrand**

MA
 Middle Atlantic Products
 middleatlantic.com | middleatlantic.ca

ViewPoint™ Series

basic dimensions

NOTE(S):
1) ALL DIMENSIONS SHOWN IN FORMAT:
INCHES [MILLIMETERS]



what **great systems** are built on.™

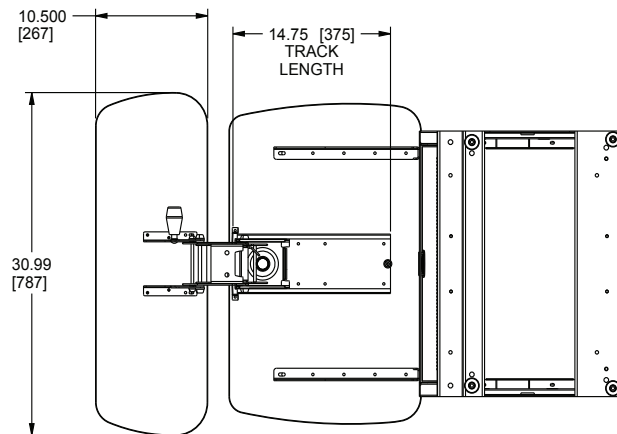
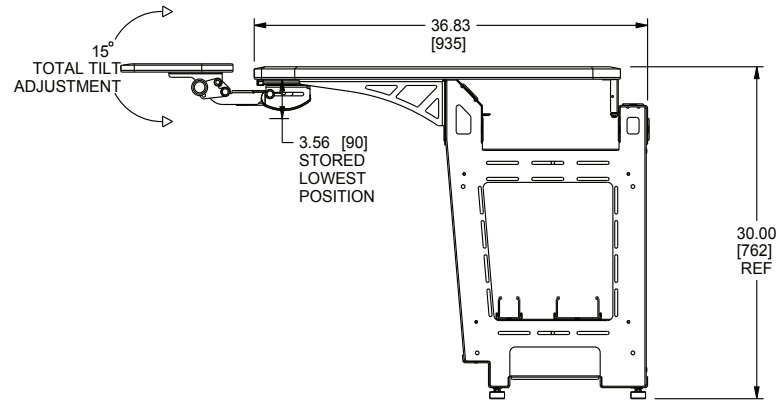
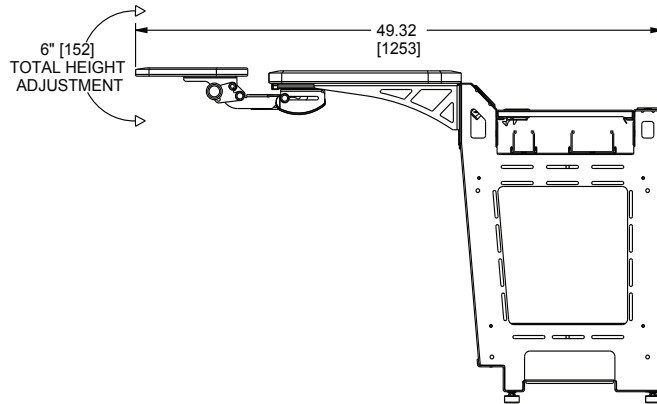
A brand of **legrand**

MA
Middle Atlantic Products
middleatlantic.com | middleatlantic.ca

ViewPoint™ Series

basic dimensions

NOTE(S):
1) ALL DIMENSIONS SHOWN IN FORMAT:
INCHES [MILLIMETERS]



NOTE(S):
1) INNOVATIVE SECONDARY SLIDE FEATURE ALLOWS MECHANISM TO STOW ON A 14.75 [375] TRACK.
2) "LIFT AND RELEASE" HEIGHT ADJUSTMENT IS 6.00 [152] TRAVEL RANGE (2.38 [61] UP AND 3.62 [92] DOWN).
3) EASY TILT ADJUSTMENT, +/- 15°.

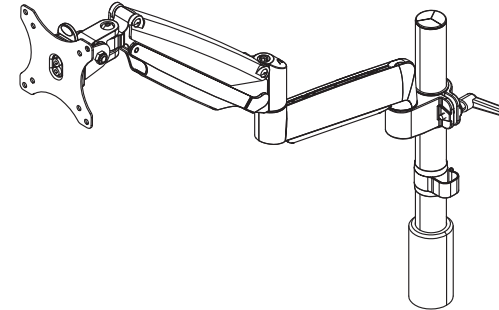
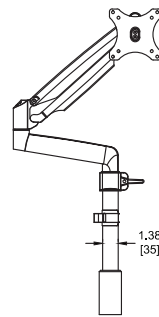
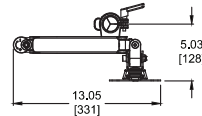
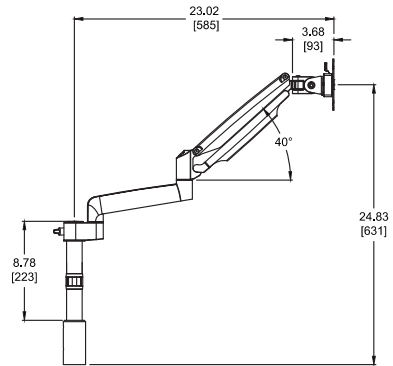
what great systems are built on.™

A brand of **legrand**

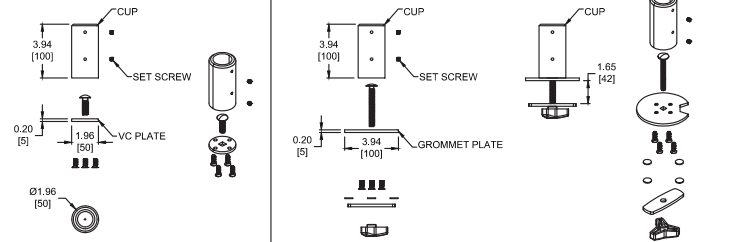
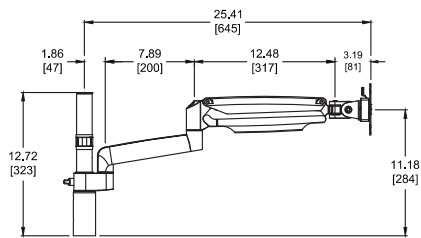
MA
Middle Atlantic Products
middleatlantic.com | middleatlantic.ca

ViewPoint™ Series

basic dimensions



SCALE 1/4



NOTES:

1) CAPABILITIES:

VERTICAL RANGE: 8.78" [223]
HORIZONTAL RANGE: 25.41" [645]

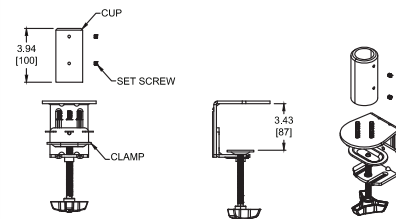
POLE HEIGHT: 11.81" [300]
ROTATION: 360 DEGREES AT TWO JOINTS
ROTATION: 180 DEGREES AT ONE JOINT
ROTATION: 135 DEGREES AT ONE JOINT
MONITOR TILT: 180 DEGREES

MONITOR COMPATIBILITY: VESA 75MM AND 100MM
CABLE MANAGEMENT: UNDER ARM AND POLE
WEIGHT CAPACITY (TOTAL) / MODEL NUMBER: 19.8 LBS [9 KG] / MM3-1X1BLK
MONITOR WEIGHT RANGE (PER ARM) / 2.2 - 19.8 LBS [1-9 KG]

2) CLAMP MOUNT RANGE: 0 [0] to 3.43 [87]

3) GROMMET MOUNT RANGE: 0 [0] to 1.65 [42]
HOLE SIZE RANGE: 0.4 [10] TO 1.0 [25]

4) ALL DIMENSIONS ARE IN THE FORMAT IN [MM]



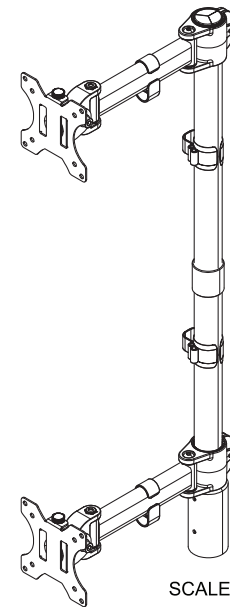
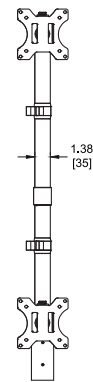
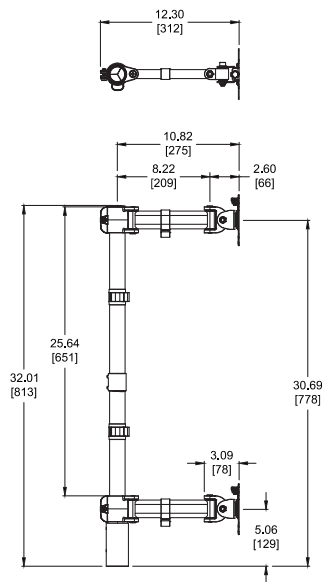
what great systems are built on.™

A brand of  Legrand


Middle Atlantic Products
middleatlantic.com | middleatlantic.ca

ViewPoint™ Series

basic dimensions



SCALE 1/4

NOTES:

1) CAPABILITIES:

VERTICAL RANGE: 25.64" [651]
 HORIZONTAL RANGE: 10.82" [275]

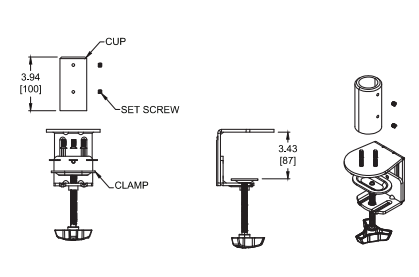
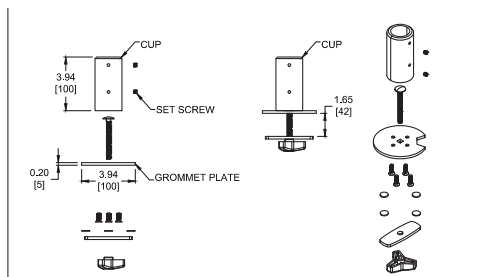
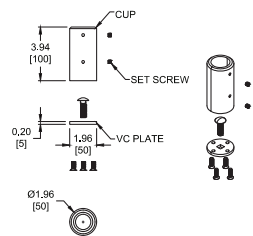
POLE LENGTH: 11.81" [300] (2 POLES JOINED WITH CONNECTOR)
 ROTATION: 360 DEGREES AT TWO JOINTS
 ROTATION: 180 DEGREES AT TWO JOINTS
 ROTATION: 135 DEGREES AT TWO JOINTS
 MONITOR TILT: 180 DEGREES

MONITOR COMPATIBILITY: VESA 75MM AND 100MM
 CABLE MANAGEMENT: UNDER ARM AND POLE
 WEIGHT CAPACITY (TOTAL) / MODEL NUMBER: 35.2 LBS [16 KG] / MM3-1X2BLK

2) CLAMP MOUNT RANGE: 0 [0] to 3.43 [87]

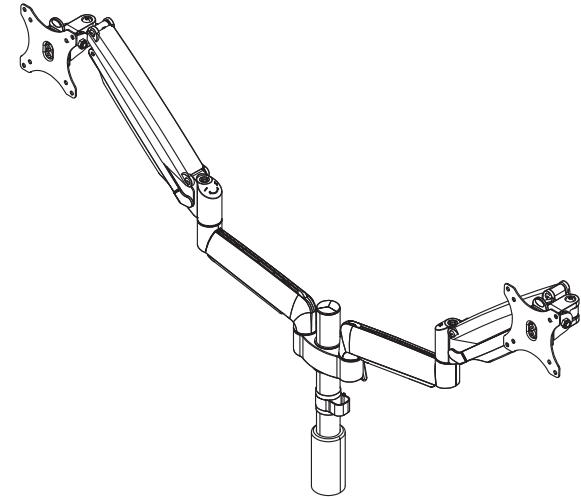
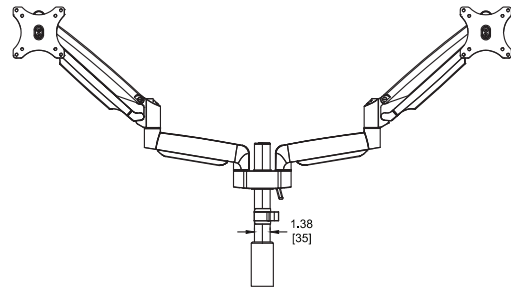
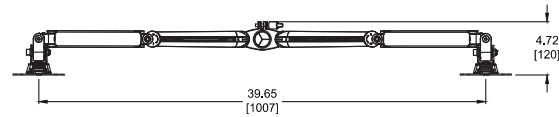
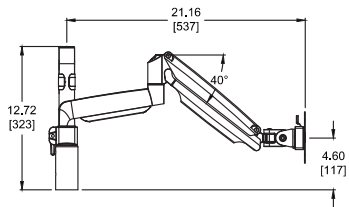
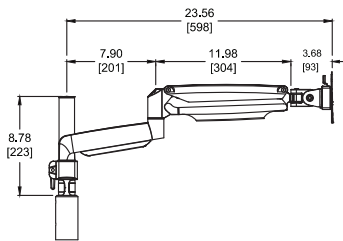
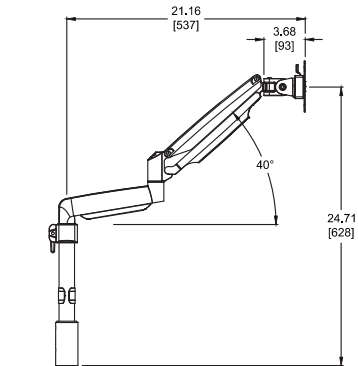
3) GROMMET MOUNT RANGE: 0 [0] to 1.65 [42]
 HOLE SIZE RANGE: 0.4 [10] TO 1.0 [25]

4) ALL DIMENSIONS ARE IN THE FORMAT IN [MM]

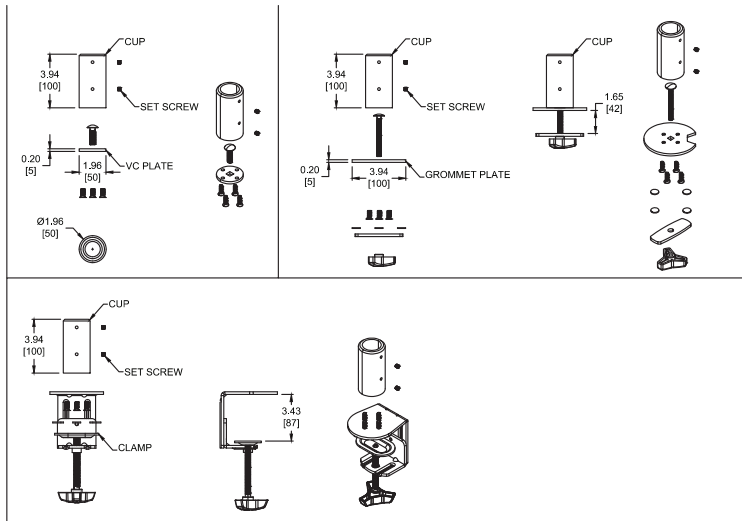


ViewPoint™ Series

basic dimensions



SCALE 1/4



NOTES:

1) CAPABILITIES:

VERTICAL RANGE: 8.78" [223]
HORIZONTAL RANGE: 23.56" [598]

POLE LENGTH: 11.81" [300]
ROTATION: 360 DEGREES AT THREE JOINTS
ROTATION: 180 DEGREES AT TWO JOINTS
ROTATION: 135 DEGREES AT TWO JOINTS
MONITOR TILT: 180 DEGREES

MONITOR COMPATIBILITY: VESA 75MM AND 100MM
CABLE MANAGEMENT: UNDER ARM AND POLE
WEIGHT CAPACITY (TOTAL) / MODEL NUMBER: 39.6 LBS [18 KG] / MM3-2X1BLK
MONITOR WEIGHT RANGE (PER ARM) / 2.2 - 19.8 LBS [1-9 KG]

2) CLAMP MOUNT RANGE: 0 [0] to 3.43 [87]

3) GROMMET MOUNT RANGE: 0 [0] to 1.65 [42]
HOLE SIZE RANGE: 0.4 [10] to 1.0 [25]

4) ALL DIMENSIONS ARE IN THE FORMAT IN [MM]

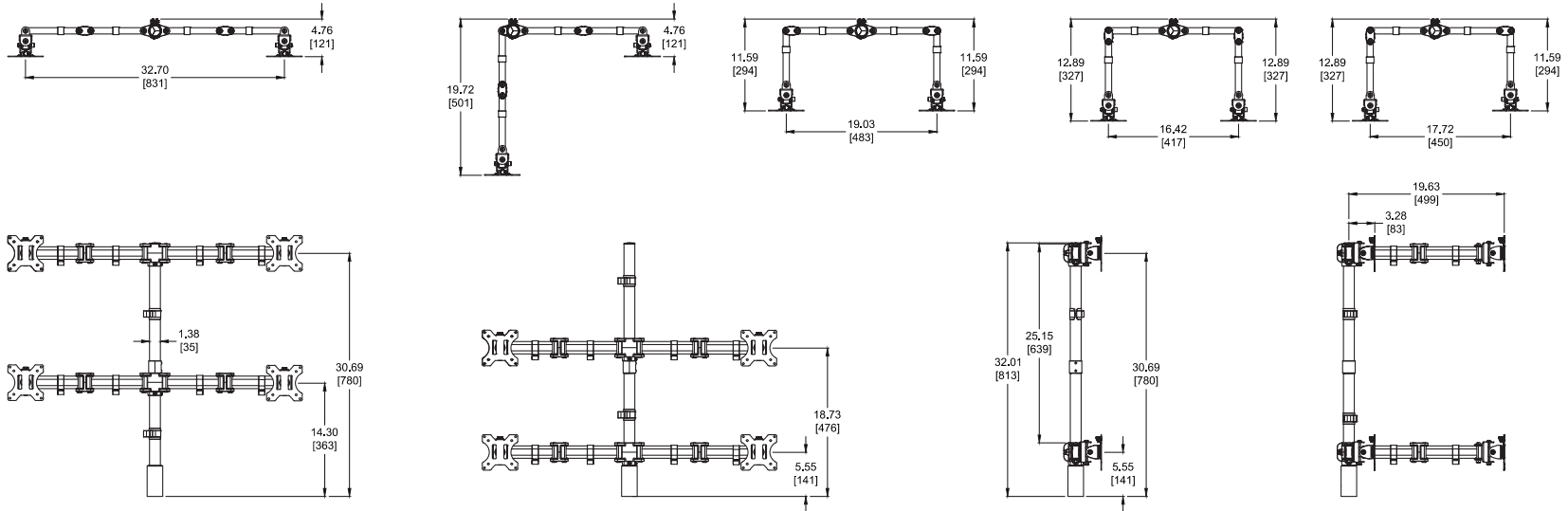
what great systems are built on.™

A brand of **legrand**

MA
Middle Atlantic Products
middleatlantic.com | middleatlantic.ca

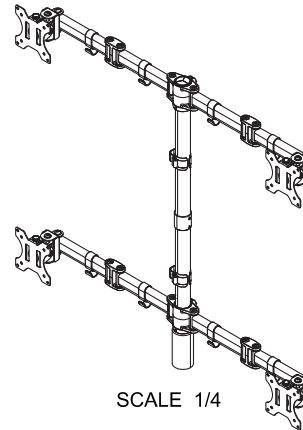
ViewPoint™ Series

basic dimensions

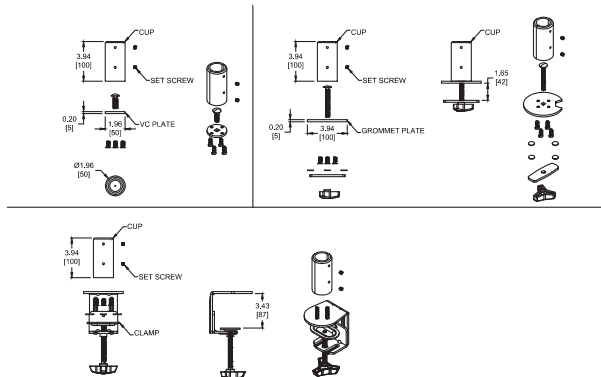


NOTES:

- 1) CAPABILITIES:
 VERTICAL RANGE: 25.15" [639]
 HORIZONTAL RANGE: 19.63" [499]
 POLE LENGTH: 15.35" [390] (2 POLES JOINED WITH CONNECTOR)
 ROTATION: 360 DEGREES AT TWO JOINTS
 ROTATION: 180 DEGREES AT FOUR JOINTS
 ROTATION: 135 DEGREES AT FOUR JOINTS
 MONITOR TILT: 180 DEGREES
 MONITOR COMPATIBILITY: VESA 75MM AND 100MM
 CABLE MANAGEMENT: UNDER ARM AND POLE
 WEIGHT CAPACITY (TOTAL) / MODEL NUMBER: 70.4LBS [32 KG] / MM3-2X2BLK
- 2) CLAMP MOUNT RANGE: 0 [0] to 3.43 [87]
- 3) GROMMET MOUNT RANGE: 0 [0] to 1.65 [42]
 HOLE SIZE RANGE: 0.4 [10] TO 1.0 [25]
- 4) ALL DIMENSIONS ARE IN THE FORMAT IN [MM]



SCALE 1/4



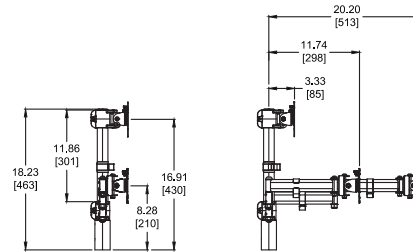
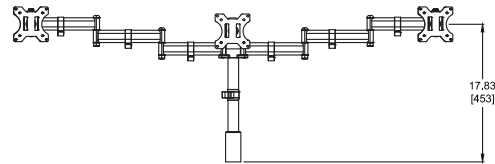
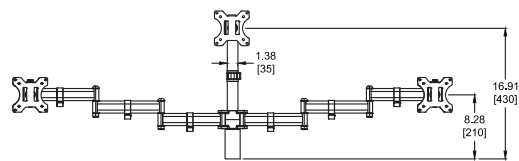
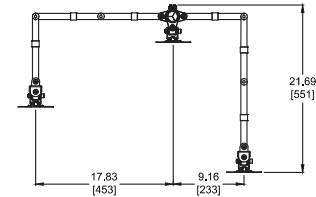
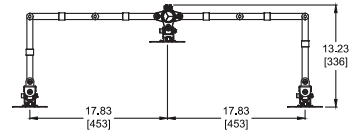
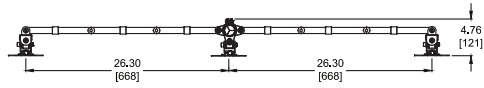
what great systems are built on.™

A brand of **Legrand**

Middle Atlantic Products
 middleatlantic.com | middleatlantic.ca

ViewPoint™ Series

basic dimensions



NOTES:

1) CAPABILITIES:

VERTICAL RANGE: 11.86° [301]
HORIZONTAL RANGE: 20.20° [513]

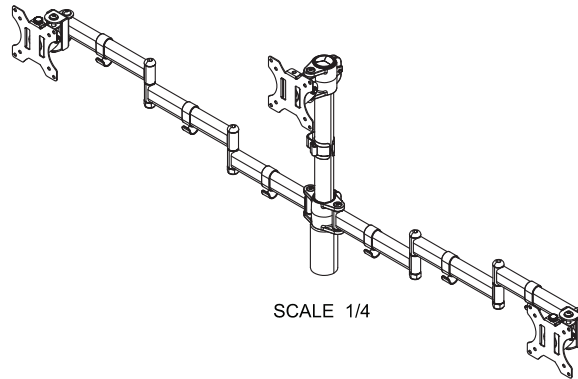
POLE LENGTH: 17.32" [440]
ROTATION: 360 DEGREES AT TWO JOINTS
ROTATION: 180 DEGREES AT THREE JOINTS
ROTATION: 135 DEGREES AT TWO JOINTS
MONITOR TILT: 180 DEGREES

MONITOR COMPATIBILITY: VESA 75MM AND 100MM
CABLE MANAGEMENT: UNDER ARM AND POLE
WEIGHT CAPACITY (TOTAL) / MODEL NUMBER: 52.8LBS [24 KG] / MM3-3X1BLK

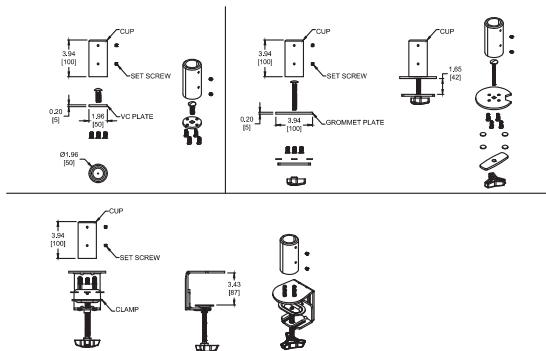
2) CLAMP MOUNT RANGE: 0 [0] to 3.43 [87]

3) GROMMET MOUNT RANGE: 0 [0] to 1.65 [42]
HOLE SIZE RANGE: 0.4 [10] TO 1.0 [25]

4) ALL DIMENSIONS ARE IN THE FORMAT IN [MM]

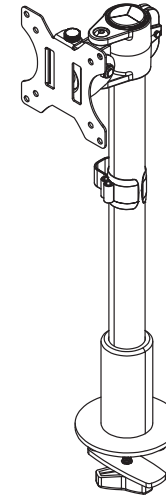
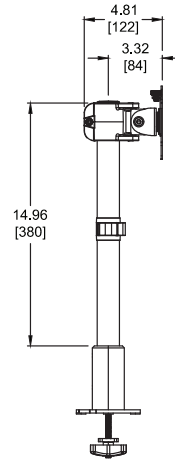
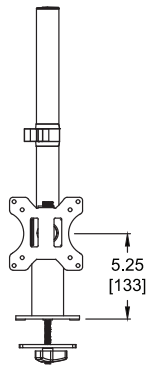
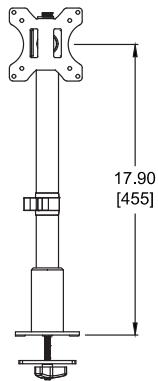
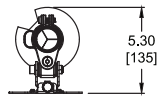


SCALE 1/4



ViewPoint™ Series

basic dimensions



SCALE 1/4

NOTES:

1) CAPABILITIES:

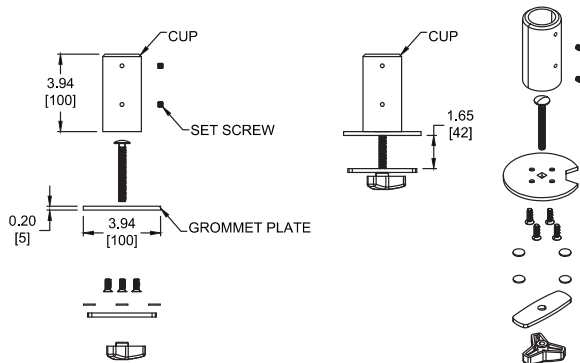
VERTICAL RANGE: 14.96" [380]
HORIZONTAL RANGE: 3.32" [84]

POLE LENGTH: 17.32" [440]
ROTATION: 360 DEGREES AT ONE JOINT
ROTATION: 180 DEGREES AT ONE JOINT
MONITOR TILT: 180 DEGREES

MONITOR COMPATIBILITY: VESA 75MM AND 100MM
CABLE MANAGEMENT: POLE
WEIGHT CAPACITY (TOTAL) / MODEL NUMBER: 17.6LBS [8 KG] / MMB-1X1-12BLK

2) GROMMET MOUNT RANGE: 0 [0] to 1.65 [42]
HOLE SIZE RANGE: 0.4 [10] TO 1.0 [25]

3) ALL DIMENSIONS ARE IN THE FORMAT IN [MM]



what great systems are built on.™

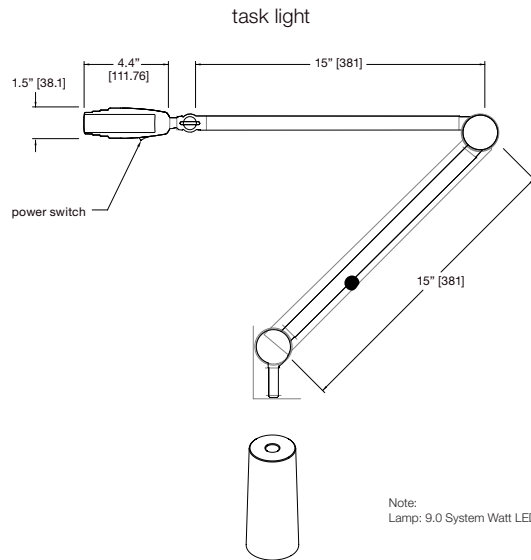
A brand of **legrand**

MA
Middle Atlantic Products
middleatlantic.com | middleatlantic.ca

ViewPoint™ Series

basic dimensions

all dimensions in inches unless otherwise noted [all dimensions in brackets are in millimeters]



what **great systems** are built on.™

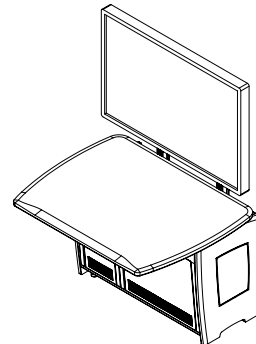
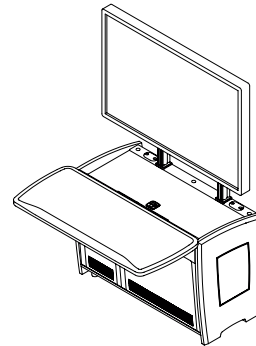
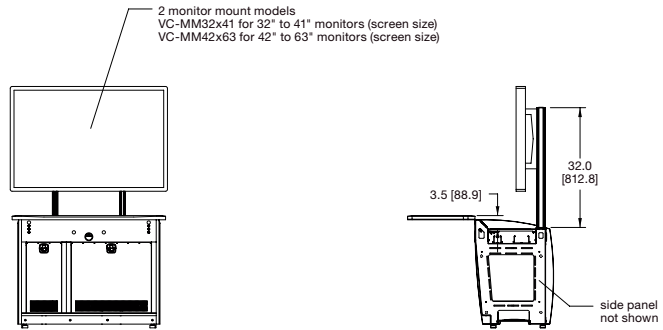
A brand of **legrand**

Middle Atlantic Products
middleatlantic.com | middleatlantic.ca

ViewPoint™ Series

basic dimensions

all dimensions in inches unless otherwise noted [all dimensions in brackets are in millimeters]



Notes:

VC-MM-32x41

distance between poles, on center (minimum)-10.25"
 distance between poles, on center (maximum)-19.5"

VC-MM-42x63

distance between poles, on center (minimum)-10.25"
 distance between poles, on center (maximum)-31.0"

VC-MM32x41

minimum height-17"
 minimum width-23"

VC-MM42x63

minimum height-37"
 minimum width-60"

Maximum height is determined by measuring from the highest mounting screw on the rear of the monitor to the top of the monitor and adding 31".

what **great systems** are built on.™

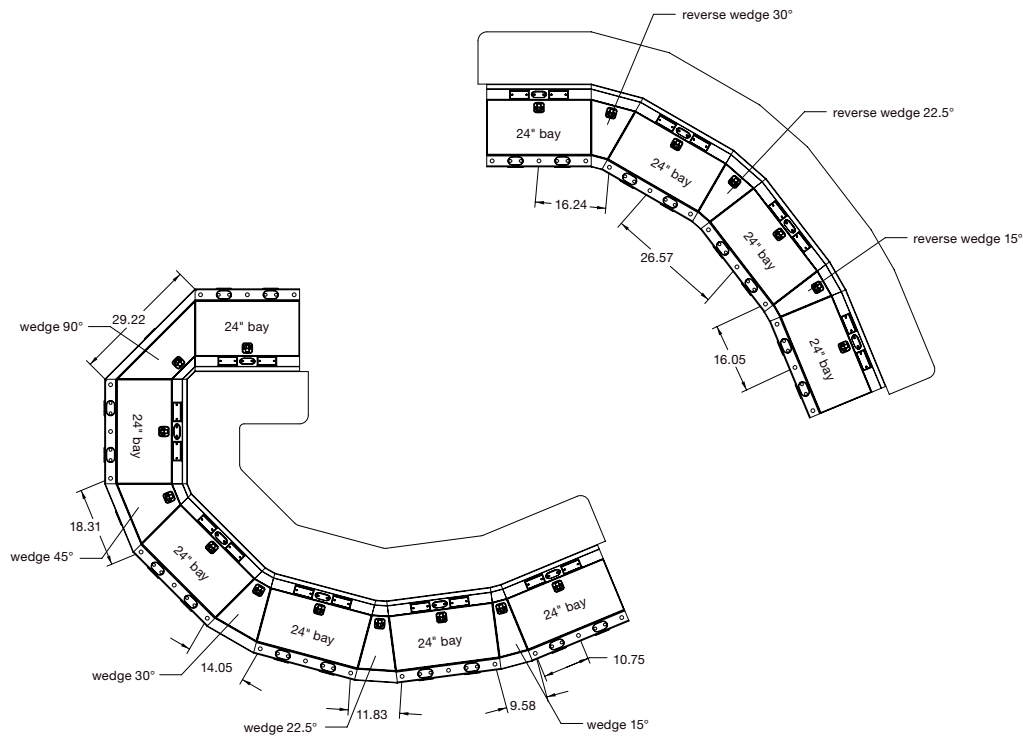
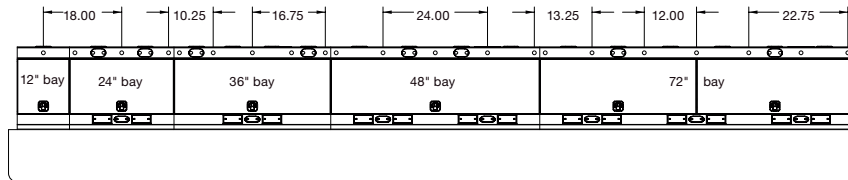
A brand of **legrand**

MA
Middle Atlantic Products
 middleatlantic.com | middleatlantic.ca

ViewPoint™ Series

basic dimensions

all dimensions in inches unless otherwise noted [all dimensions in brackets are in millimeters]



what **great systems** are built on.™

A brand of **legrand**

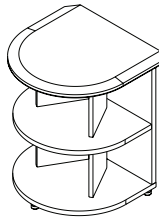
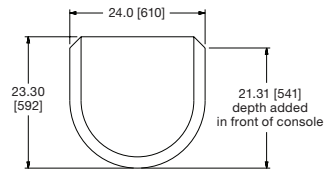
MA
Middle Atlantic Products
middleatlantic.com | middleatlantic.ca

ViewPoint™ Series

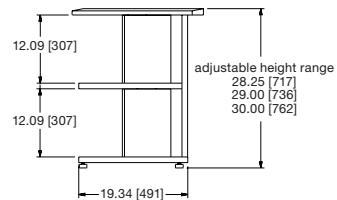
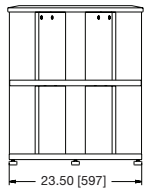
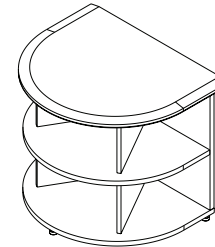
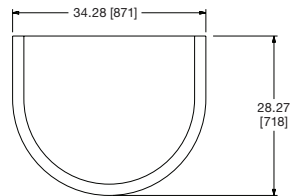
basic dimensions

all dimensions in inches unless otherwise noted [all dimensions in brackets are in millimeters]

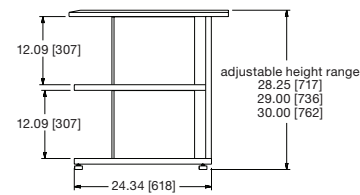
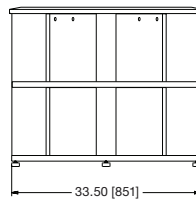
VC-BC24



VC-BC34



Note:
VC-BC24 can be added in front of any 24" bay, or on the end of the storage cabinet or peninsula



Note:
VC-BC34 can be added at the end of any row of consoles in place of side panel.

what **great systems** are built on.™

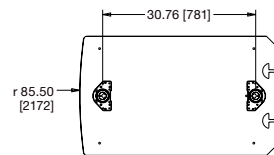
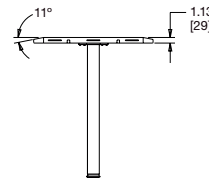
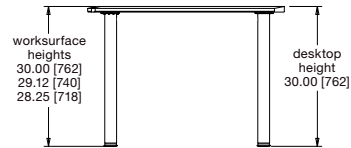
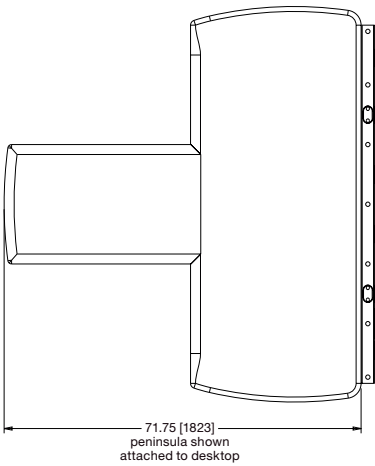
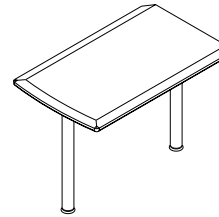
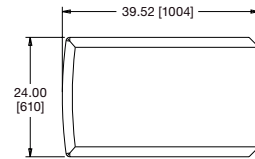
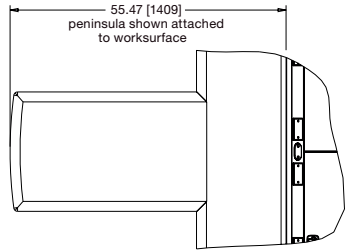
A brand of **legrand**

MA
Middle Atlantic Products
middleatlantic.com | middleatlantic.ca

ViewPoint™ Series

basic dimensions

all dimensions in inches unless otherwise noted [all dimensions in brackets are in millimeters]



what **great systems** are built on.™

A brand of **legrand**

MA
Middle Atlantic Products
middleatlantic.com | middleatlantic.ca