

ViewPoint™ Monitoring Console System

with sit/stand capability

flexible, scalable system provides operators with the ability to sit or stand for optimum operator effectiveness

features:

- Bays adjust from 30.5" to 55.6" inches, with three position memory
- Multiple Sit/Stand bays can operate independently, or be joined together to operate as a larger system
- Bays can be integrated with fixed-position ViewPoint™ Monitoring System bays
- Standalone configurations also available
- Available with an 37" deep work surface
- A large variety of standard finishes available
- Most configurations ship in 3 weeks or less
- GREENGUARD IAQ certified
- Screens can be mounted using optional monitor arms



VC-LSWS1-DT37SA

specifications:

ViewPoint™ Series monitoring console system with Sit/Stand capability shall be Middle Atlantic Products model # VC-LS____. Overall dimensions of the console bays shall be ___"W x 37"D with a worksurface height range of 30.5" to 55.6". Console system shall feature welded steel bays of Uni-Frame™ construction and extensible design that provides optimal structural integrity, and unrestricted cable management and access. Console system shall have exterior support foot placement that provides support and unimpeded chair/operator movement. Work surface shall have cantilevered support. Each 24" width bay shall accept rackrail or a slide-out CPU tray. Each 24" bay shall have a 250 lb. weight capacity. Each pair of electric lift legs shall have a weight capacity of 540 pounds. Shall include 2 horizontal, segregated raceways in each bay and wedge, configurable for upper or lower bay installation. Work surfaces shall have a controller with 3 position user definable memory. ViewPoint sit stand shall have a 37" deep work surface, available in a Wenge, Dark Cherry, Dark Pecan, Aged Cherry, Honey Maple, Light Walnut, Maple, Shark Gray, Pepperstone, Graystone or Darkstone RTF thermolaminate finish and constructed of 1-1/8" thick triple-refined MDF. Connecting wedges shall be available with 15° and 90° forward angles. Bays shall be finished in a fingerprint resistant black textured powder coat. ViewPoint shall have 3" and 4" cable pass-throughs trimmed with plastic bushings to create a smooth internal surface. ViewPoint shall include all tools needed for the assembly of the console. Grounding and bonding stud shall be 1/4-20 threaded, installed in base of the bay, 2 per bay. ViewPoint system shall meet ANSI-BIFMA, and VESA guidelines and requirements. ViewPoint shall be GREENGUARD Gold Certified. ViewPoint shall be manufactured by an ISO 9001 and ISO 14001 registered company. Steel components shall be warranted to be free from defects in material or workmanship under normal use and conditions for the lifetime of the product. Thermolaminate components shall be warranted to be free from defects in material or workmanship under normal use and conditions for a period of 7 years. ViewPoint electronic lift mechanism shall be warranted for period of two years.

Customizable specification clips available at middleatlantic.com

EIA/TIA COMPLIANT



PRODUCT CERTIFIED FOR
LOW CHEMICAL EMISSIONS
UL.COM/GG
UL 2818

options:

- Monitor Mounts – shall be available to accommodate 1, 2, 3, or 4 monitors. Shall mount to the rear of the worksurface.

Part #	Weight Capacity Per Monitor	Total Weight Capacity
MM3-1X1BLK	2.2-19.8 lbs.	19.8 lbs.
MM3-2X1BLK	2.2-19.8 lbs.	39.6 lbs.
MM3-1X2BLK	17.6 lbs.	35.2 lbs.
MM3-2X2BLK	17.6 lbs.	70.4 lbs.
MM3-3X1BLK	17.6 lbs.	52.8 lbs.

- Shall be hinged, articulating or counter-balanced. Shall be constructed of cast aluminum with steel fittings. Shall be VESA 75 and 100 compliant. Shall have a weight capacity of, by model:
- Rackrail – 10 space rackrail shall be available for horizontal equipment mounting in the front/rear of any 24" section of a 36", 48" or 72" bay and shall be part # VC-B24-RR10. Rackrail shall conform to EIA standards. Rackrail shall be constructed of 11-gauge steel. Shall be infinitely adjustable front-to-rear.
- CPU Tray – Slide-out CPU tray shall mount in any 24" console section, and shall configure to slide out of the front or rear. Slide-out CPU tray shall have useable dimensions of 19"W x 14.25"D, extend 13" and have a weight capacity of 75 lbs. Slide out CPU tray shall be part # VC-2419ST.
- Rear fan door – Rear fan door shall replace standard rear console door on any 24" wide bay. Rear fan door shall provide 100 CFM of air extraction, generate less than 27 db, and be thermostatically switched. Part# shall be VC-B24-FD.
- Side Panels – Side panels shall be constructed of 1" thick triple-refined MDF. Side panels shall consist of a left and right side and mount to any bay. Part# shall be VC-LS-SP219
- File Cabinet – File cabinet shall have 2 drawers. File cabinet dimensions shall be 18"D x 27" H. File cabinet shall fit underneath a peninsula, and have swivel casters for ease of movement. File cabinet shall be part # VC-FC-2.
- Chair – Fully adjustable, ergonomically designed professional use monitoring chair shall have a 15 year warranty, and shall be part # CHAIR-CF1-B.

what great systems are built on.™

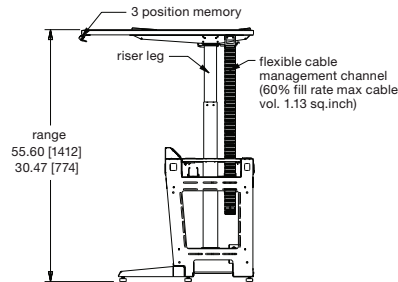
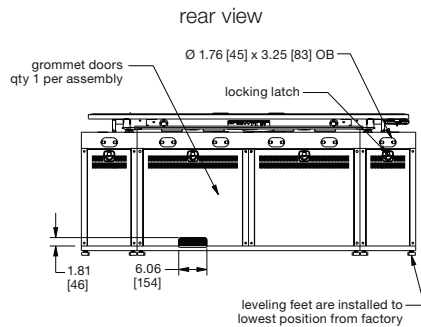
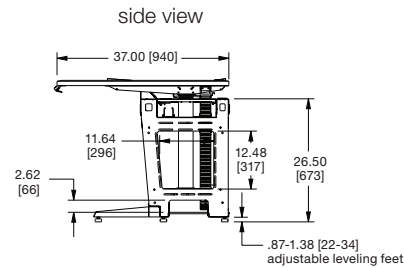
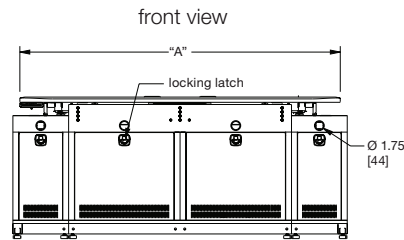
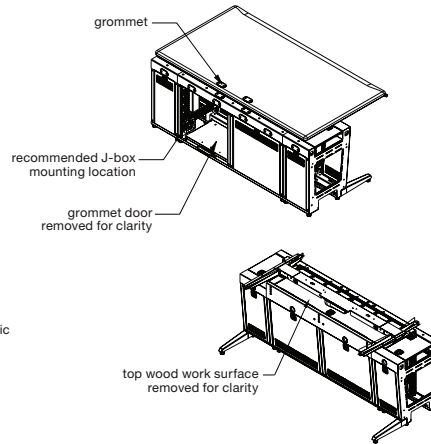
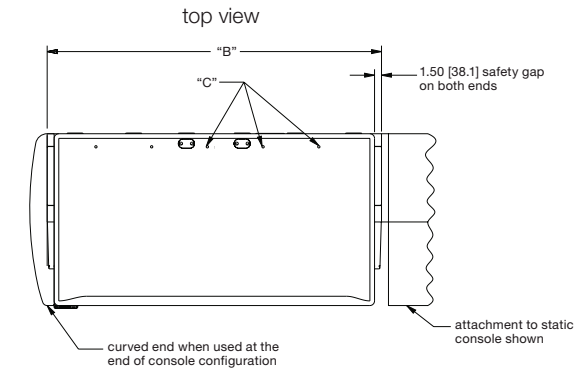
A brand of **legrand**

Middle Atlantic Products
middleatlantic.com | middleatlantic.ca

96-01188 / rev d / 5-29-20

ViewPoint™ Series Sit/Stand basic dimensions

all dimensions in inches unless otherwise noted [all dimensions in brackets are in millimeters]



Part #	"A" Work Surface Width	"B" Bay Width	"C" # of Monitor Mounting Locations	# of 24" Mounting Bays	# of Legs
VC-LS3619-DT37	33.00 [838]	36.00 [914]	3	1	2
VC-LS4819-DT37	45.00 [1143]	48.00 [1219]	5	1	2
VC-LS7219-DT37	69.00 [1753]	72.00 [1829]	7	2	2

Notes:
VC-LS7219-DT34 shown, reference drawing table for other sizes

- Power Specification:
- Mains voltage 120V AC/60Hz or 230V AC
 - Power consumption in stand by mode is only 0.1 Watt
 - Exchangeable standard mains cable
 - Current draw 2 leg models: 3.33 Amps
 - Current draw 4 leg models: 6.66 Amps

what great systems are built on.™

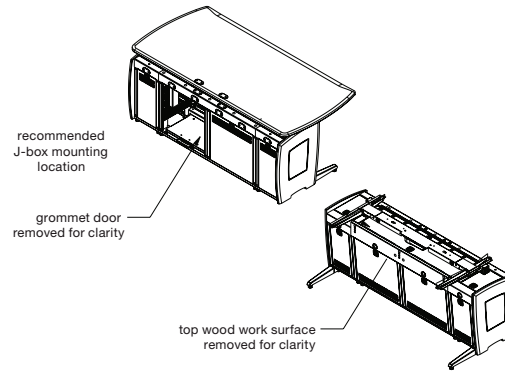
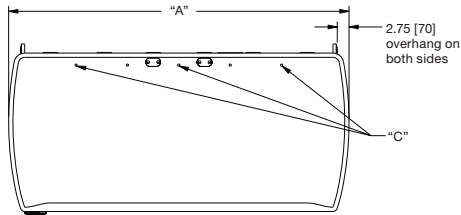
A brand of **legrand**

Middle Atlantic Products
middleatlantic.com | middleatlantic.ca

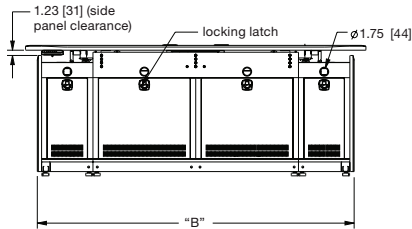
ViewPoint™ Series Sit/Stand basic dimensions

all dimensions in inches unless otherwise noted [all dimensions in brackets are in millimeters]

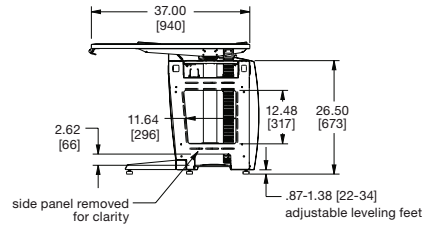
top view



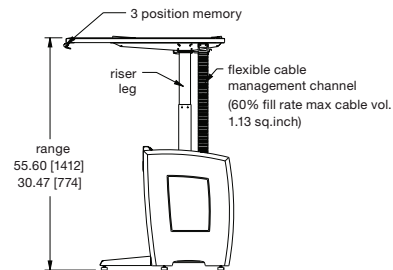
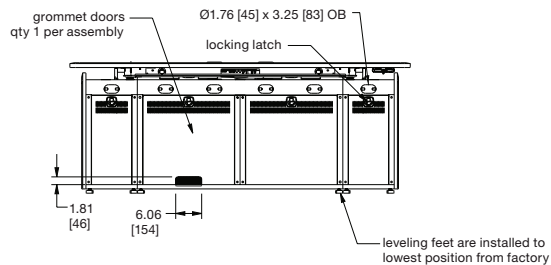
front view



side view



rear view



Part #	"A" Work Surface Width	"B" Bay Width	"C" # of Monitor Mounting Locations	# of 24" Mounting Bays	# of Legs
VC-LS3619-DT37SA	43.5 [1105]	38.00 [965]	3	1	2
VC-LS4819-DT37SA	55.5 [1410]	50.00 [1270]	5	1	2
VC-LS7219-DT37SA	79.50 [2019]	74.00 [1880]	7	2	2

Notes:
VC-LS7219-DT34SA shown, reference drawing table for other sizes

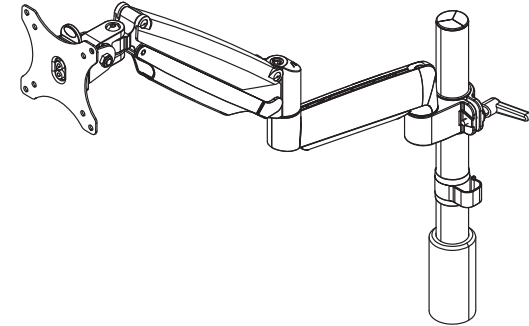
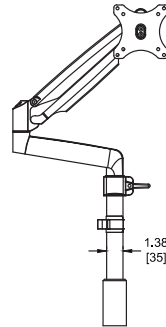
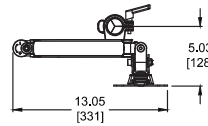
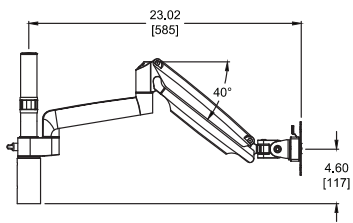
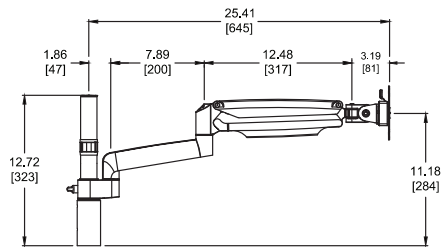
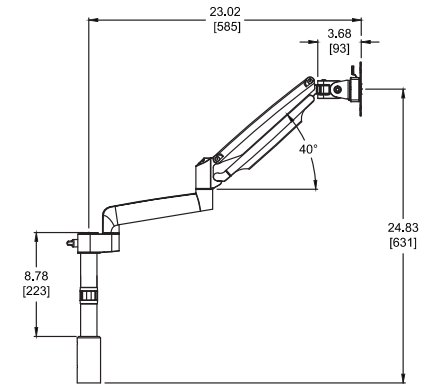
- Power Specification:
- Mains voltage 120V AC/60Hz or 230V AC
 - Power consumption in stand by mode is only 0.1 Watt
 - Exchangeable standard mains cable
 - Current draw 2 leg models: 3.33 Amps
 - Current draw 4 leg models: 6.66 Amps

what great systems are built on.™

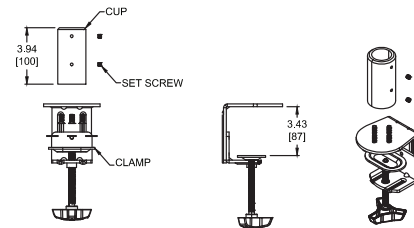
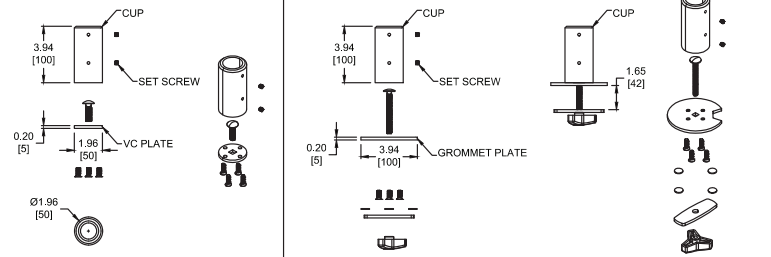
A brand of **legrand**

Middle Atlantic Products
middleatlantic.com | middleatlantic.ca

ViewPoint™ Series Sit/Stand basic dimensions



SCALE 1/4



NOTES:

1) CAPABILITIES:

VERTICAL RANGE: 8.78" [223]
HORIZONTAL RANGE: 25.41" [645]

POLE HEIGHT: 11.81" [300]
ROTATION: 360 DEGREES AT TWO JOINTS
ROTATION: 180 DEGREES AT ONE JOINT
ROTATION: 135 DEGREES AT ONE JOINT
MONITOR TILT: 180 DEGREES

MONITOR COMPATIBILITY: VESA 75MM AND 100MM
CABLE MANAGEMENT: UNDER ARM AND POLE
WEIGHT CAPACITY (TOTAL) / MODEL NUMBER: 19.8 LBS [9 KG] / MM3-1X1BLK
MONITOR WEIGHT RANGE (PER ARM) / 2.2 - 19.8 LBS [1-9 KG]

2) CLAMP MOUNT RANGE: 0 [0] to 3.43 [87]

3) GROMMET MOUNT RANGE: 0 [0] to 1.65 [42]
HOLE SIZE RANGE: 0.4 [10] to 1.0 [25]

4) ALL DIMENSIONS ARE IN THE FORMAT IN (MM)

what great systems are built on.™

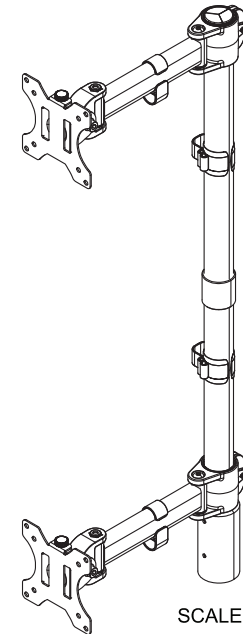
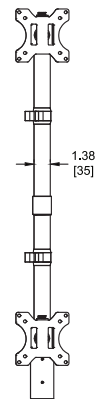
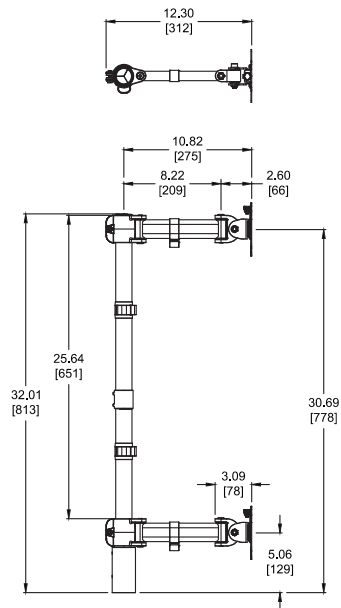
A brand of  Legrand



Middle Atlantic Products

middleatlantic.com | middleatlantic.ca

ViewPoint™ Series Sit/Stand basic dimensions



SCALE 1/4

NOTES:

1) CAPABILITIES:

VERTICAL RANGE: 25.64" [651]
HORIZONTAL RANGE: 10.82" [275]

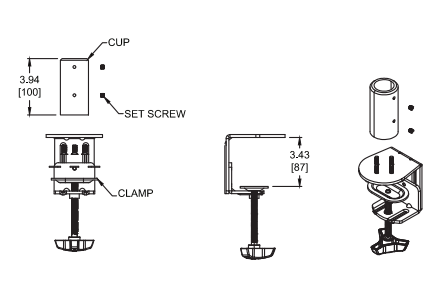
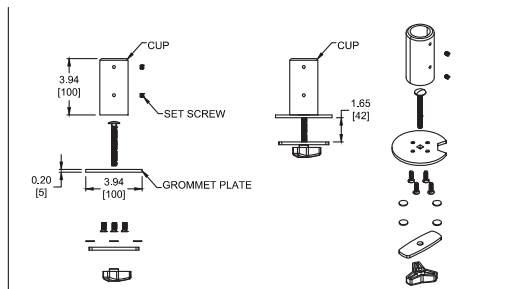
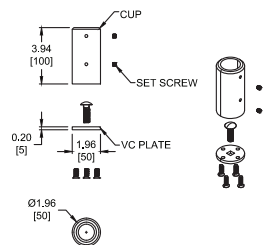
POLE LENGTH: 11.81" [300] (2 POLES JOINED WITH CONNECTOR)
ROTATION: 360 DEGREES AT TWO JOINTS
ROTATION: 180 DEGREES AT TWO JOINTS
ROTATION: 135 DEGREES AT TWO JOINTS
MONITOR TILT: 180 DEGREES

MONITOR COMPATIBILITY: VESA 75MM AND 100MM
CABLE MANAGEMENT: UNDER ARM AND POLE
WEIGHT CAPACITY (TOTAL) / MODEL NUMBER: 35.2 LBS [16 KG] / MM3-1X2BLK

2) CLAMP MOUNT RANGE: 0 [0] to 3.43 [87]

3) GROMMET MOUNT RANGE: 0 [0] to 1.65 [42]
HOLE SIZE RANGE: 0.4 [10] TO 1.0 [25]

4) ALL DIMENSIONS ARE IN THE FORMAT IN [MM]

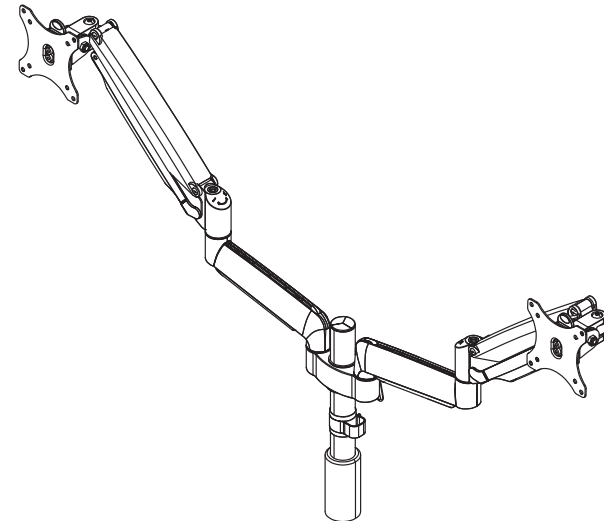
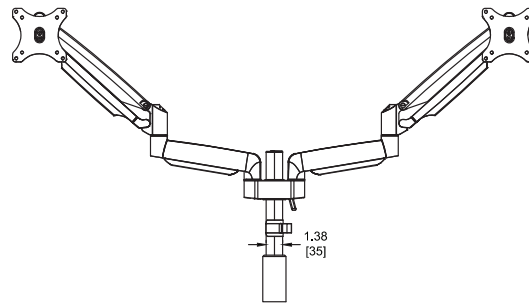
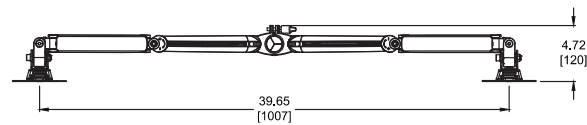
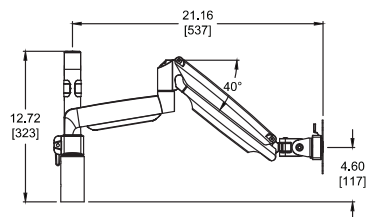
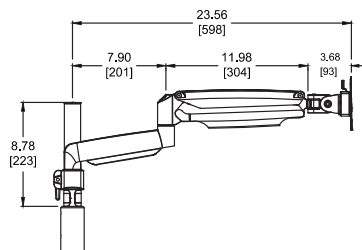
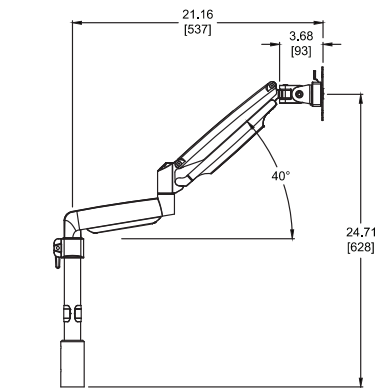


what great systems are built on.™

A brand of **legrand**

MA
Middle Atlantic Products
middleatlantic.com | middleatlantic.ca

ViewPoint™ Series Sit/Stand basic dimensions



SCALE 1/4

NOTES:

1) CAPABILITIES:

VERTICAL RANGE: 8.78" [223]
HORIZONTAL RANGE: 23.56" [598]

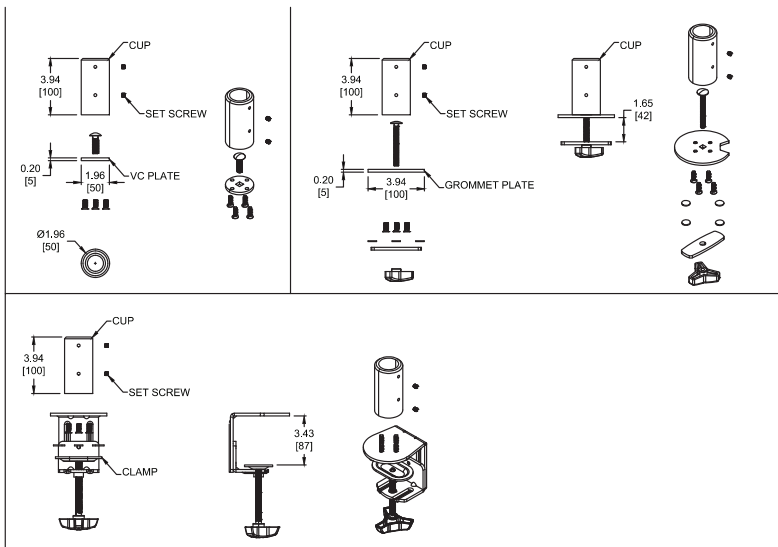
POLE LENGTH 11.81" [300]
ROTATION: 360 DEGREES AT THREE JOINTS
ROTATION: 180 DEGREES AT TWO JOINTS
ROTATION: 135 DEGREES AT TWO JOINTS
MONITOR TILT: 180 DEGREES

MONITOR COMPATIBILITY: VESA 75MM AND 100MM
CABLE MANAGEMENT: UNDER ARM AND POLE
WEIGHT CAPACITY (TOTAL) / MODEL NUMBER: 39.6 LBS [18 KG] / MM3-2X1BLK
MONITOR WEIGHT RANGE (PER ARM) / 2.2 - 19.8 LBS [1-9 KG]

2) CLAMP MOUNT RANGE: 0 [0] to 3.43 [87]

3) GROMMET MOUNT RANGE: 0 [0] to 1.65 [42]
HOLE SIZE RANGE: 0.4 [10] TO 1.0 [25]

4) ALL DIMENSIONS ARE IN THE FORMAT IN [MM]

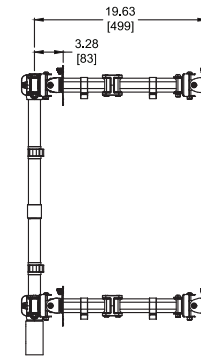
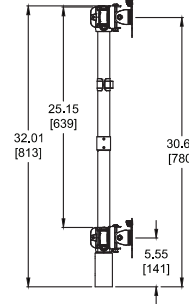
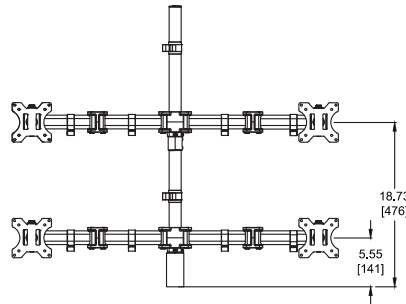
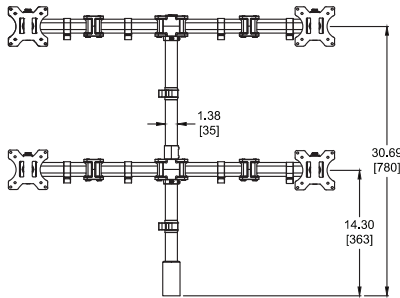
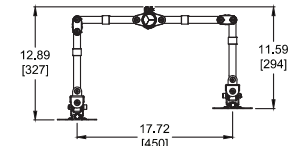
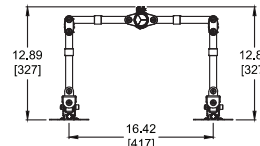
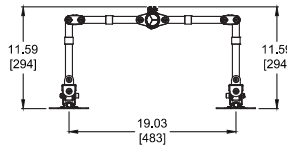
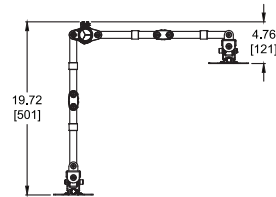
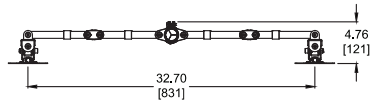


what great systems are built on.™

A brand of **legrand**

MA
Middle Atlantic Products
middleatlantic.com | middleatlantic.ca

ViewPoint™ Series Sit/Stand basic dimensions



NOTES:

1) CAPABILITIES:

VERTICAL RANGE: 25.15" [639]
HORIZONTAL RANGE: 19.63" [499]

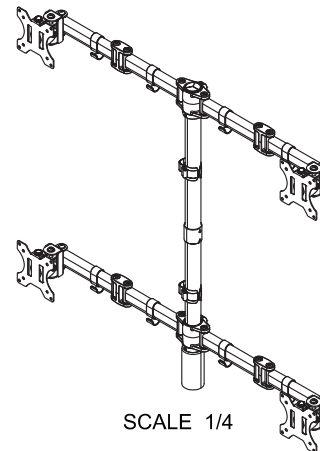
POLE LENGTH: 15.35" [390] (2 POLES JOINED WITH CONNECTOR)
ROTATION: 360 DEGREES AT TWO JOINTS
ROTATION: 180 DEGREES AT FOUR JOINTS
ROTATION: 135 DEGREES AT FOUR JOINTS
MONITOR TILT: 180 DEGREES

MONITOR COMPATIBILITY: VESA 75MM AND 100MM
CABLE MANAGEMENT: UNDER ARM AND POLE
WEIGHT CAPACITY (TOTAL) / MODEL NUMBER: 70.4LBS [32 KG] / MM3-2X2BLK

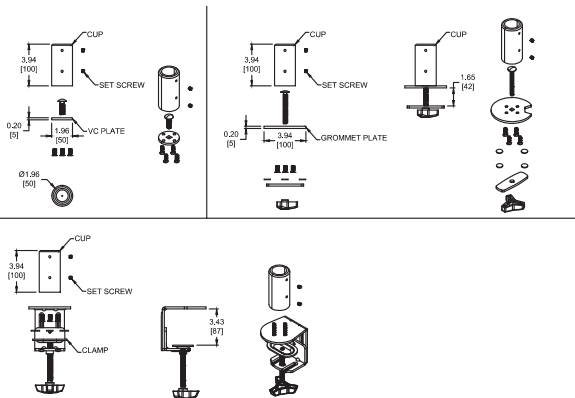
2) CLAMP MOUNT RANGE: 0 [0] to 3.43 [87]

3) GROMMET MOUNT RANGE: 0 [0] to 1.65 [42]
HOLE SIZE RANGE: 0.4 [10] to 1.0 [25]

4) ALL DIMENSIONS ARE IN THE FORMAT IN [MM]



SCALE 1/4



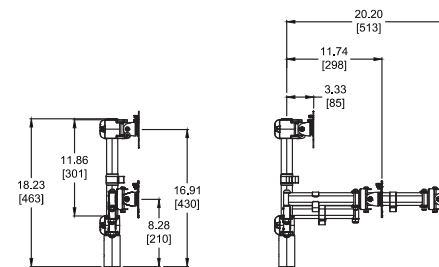
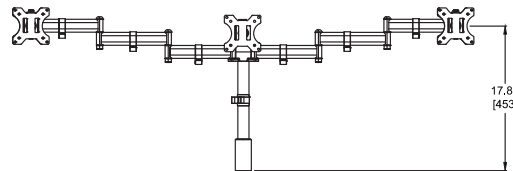
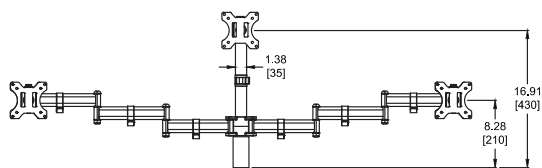
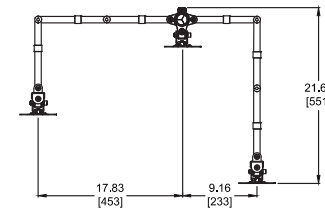
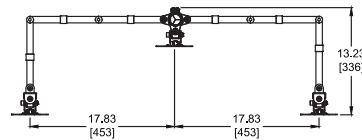
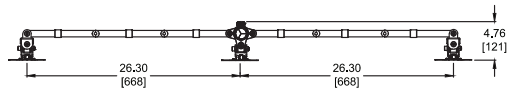
what great systems are built on.™

A brand of **legrand**

MA
Middle Atlantic Products

middleatlantic.com | middleatlantic.ca

ViewPoint™ Series Sit/Stand basic dimensions



NOTES:

1) CAPABILITIES:

VERTICAL RANGE: 11.86" [301]
HORIZONTAL RANGE: 20.20" [513]

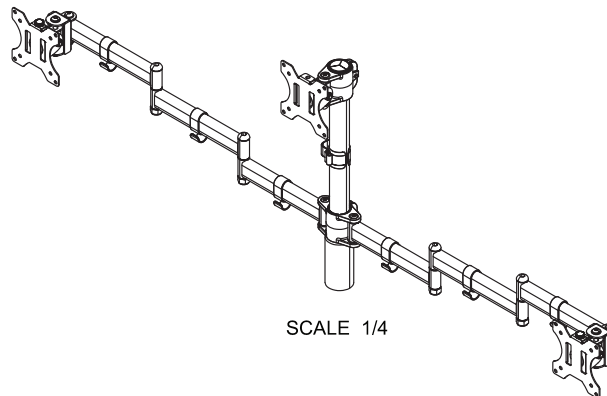
POLE LENGTH: 17.32" [440]
ROTATION: 360 DEGREES AT TWO JOINTS
ROTATION: 180 DEGREES AT THREE JOINTS
ROTATION: 135 DEGREES AT TWO JOINTS
MONITOR TILT: 180 DEGREES

MONITOR COMPATIBILITY: VESA 75MM AND 100MM
CABLE MANAGEMENT: UNDER ARM AND POLE
WEIGHT CAPACITY (TOTAL) / MODEL NUMBER: 52.8LBS [24 KG] / MM3-3X1BLK

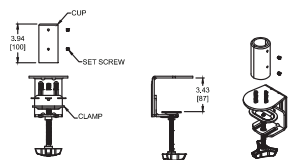
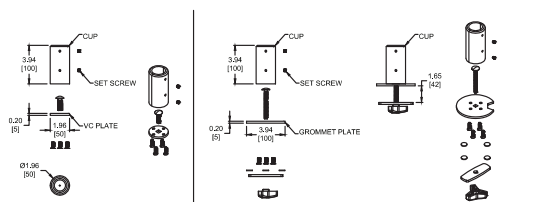
2) CLAMP MOUNT RANGE: 0 [0] to 3.43 [87]

3) GROMMET MOUNT RANGE: 0 [0] to 1.65 [42]
HOLE SIZE RANGE: 0.4 [10] to 1.0 [25]

4) ALL DIMENSIONS ARE IN THE FORMAT IN [MM]



SCALE 1/4

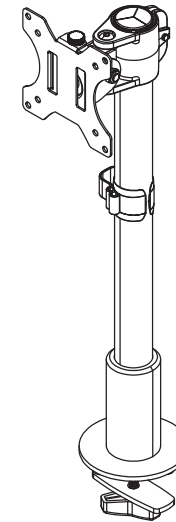
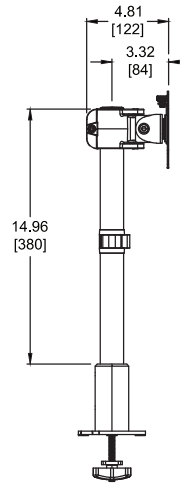
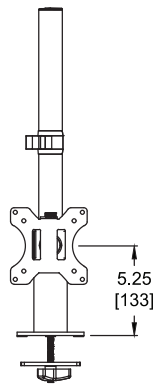
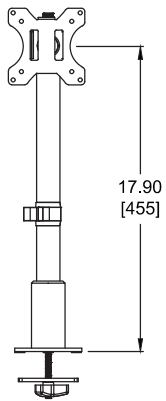
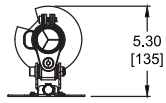


what **great systems** are built on.™

A brand of **legrand**

MA
Middle Atlantic Products
middleatlantic.com | middleatlantic.ca

ViewPoint™ Series Sit/Stand basic dimensions



SCALE 1/4

NOTES:

1) CAPABILITIES:

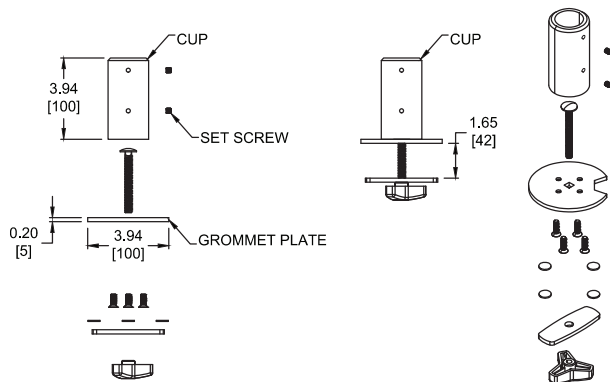
VERTICAL RANGE: 14.96" [380]
HORIZONTAL RANGE: 3.32" [84]

POLE LENGTH: 17.32" [440]
ROTATION: 360 DEGREES AT ONE JOINT
ROTATION: 180 DEGREES AT ONE JOINT
MONITOR TILT: 180 DEGREES

MONITOR COMPATIBILITY: VESA 75MM AND 100MM
CABLE MANAGEMENT: POLE
WEIGHT CAPACITY (TOTAL) / MODEL NUMBER: 17.6LBS [8 KG] / MMB-1X1-12BLK

2) GROMMET MOUNT RANGE: 0 [0] to 1.65 [42]
HOLE SIZE RANGE: 0.4 [10] TO 1.0 [25]

3) ALL DIMENSIONS ARE IN THE FORMAT IN [MM]



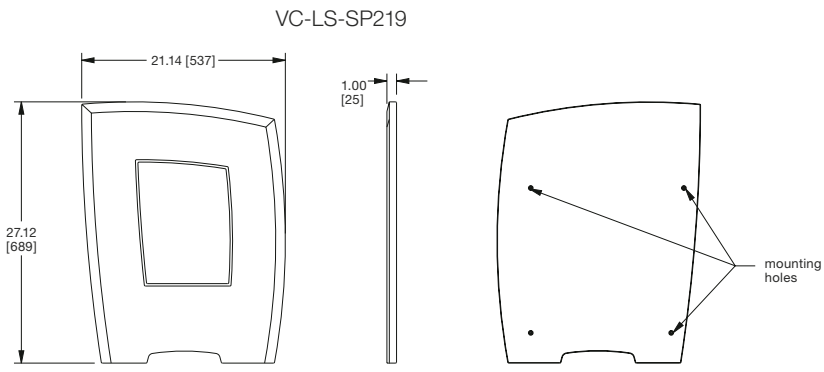
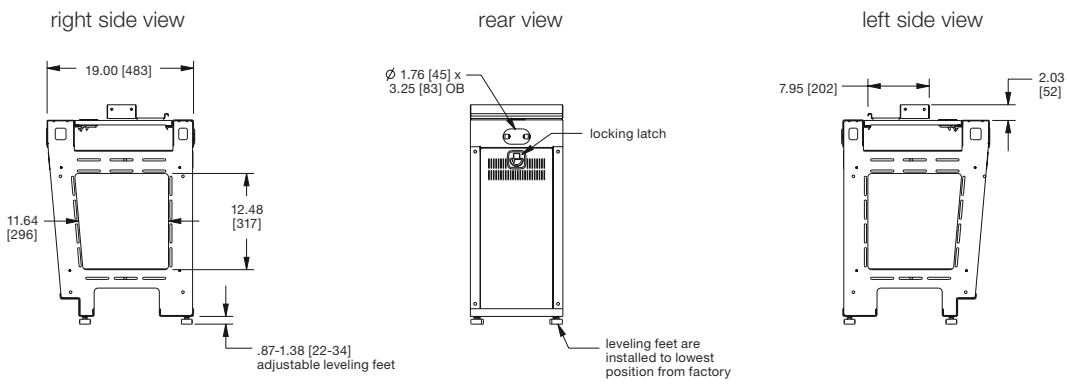
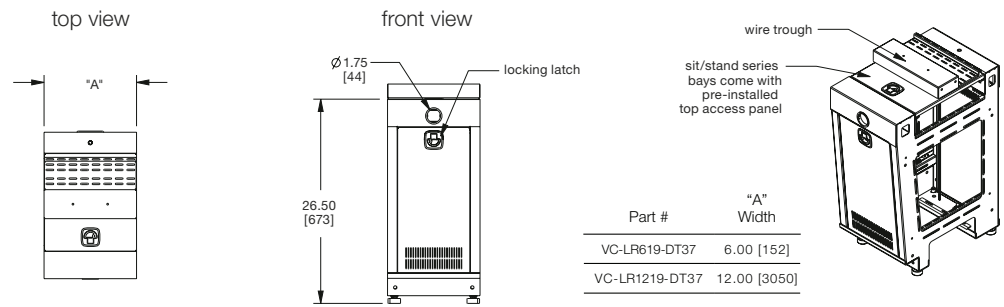
what great systems are built on.™

A brand of  Legrand


Middle Atlantic Products
middleatlantic.com | middleatlantic.ca

ViewPoint™ Series Sit/Stand basic dimensions

all dimensions in inches unless otherwise noted [all dimensions in brackets are in millimeters]



Note:
VC-LR1219-DT37 shown, reference drawing table for other sizes
These bays are for use with other sit/stand bays and cannot be installed on their own

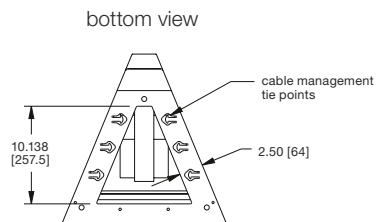
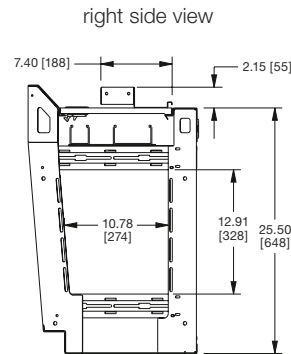
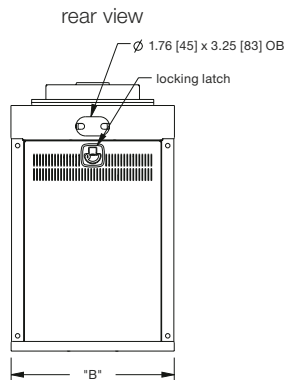
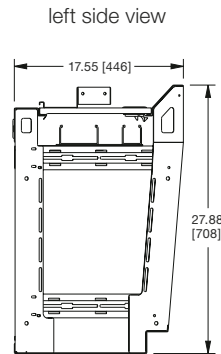
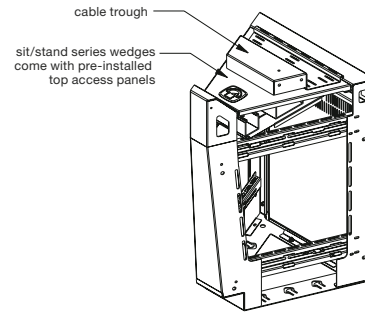
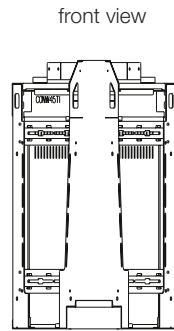
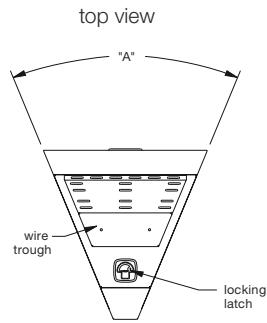
what **great systems** are built on.™

A brand of **legrand**

Middle Atlantic Products
middleatlantic.com | middleatlantic.ca

ViewPoint™ Series Sit/Stand basic dimensions

all dimensions in inches unless otherwise noted [all dimensions in brackets are in millimeters]



Note:
VC-LR4519-DT37 shown, reference drawing table for other sizes

Wedges are for use with other sit/stand bays and cannot be installed on their own

Part #	"A" Angle	"B" Width	Rear Door	Front Door
VC-LRW1519-DT37	15°	7.42 [188]	N/A	N/A
VC-LRW4519-DT37	45°	16.98 [421]	yes	N/A

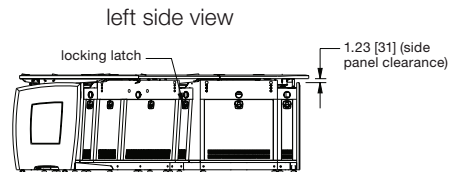
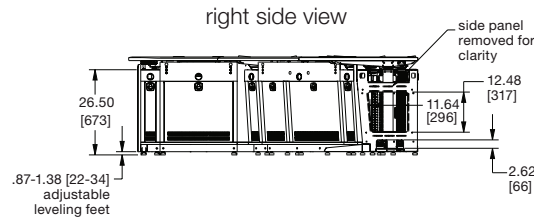
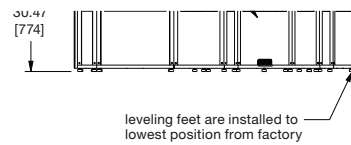
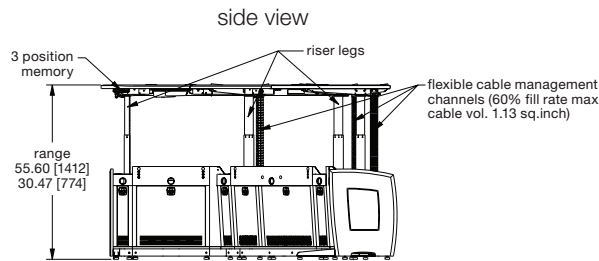
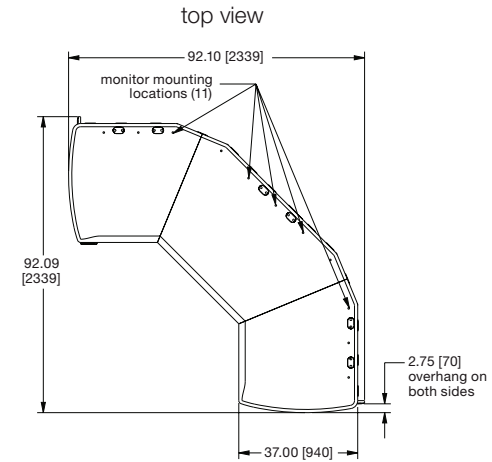
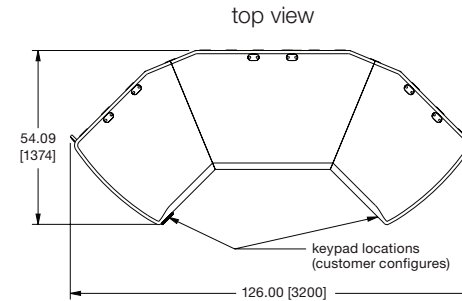
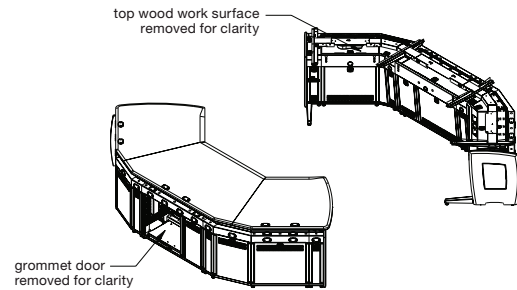
what great systems are built on.™

A brand of  Legrand


Middle Atlantic Products
middleatlantic.com | middleatlantic.ca

ViewPoint™ Series Sit/Stand basic dimensions

all dimensions in inches unless otherwise noted [all dimensions in brackets are in millimeters]



Note:
VC-LSWS1-DT37SA shown

- Power Specification:
- Mains voltage 120V AC/60Hz or 230V AC
 - Power consumption in stand by mode is only 0.1 Watt
 - Exchangeable standard mains cable
 - Current draw 4 leg model: 6.66 Amps

what great systems are built on.™

A brand of **legrand**

MA
Middle Atlantic Products
middleatlantic.com | middleatlantic.ca