

FLEXVIEW™ CONFERENCEING CART

WITH HUDDLESHOT FC

The FlexView Conferencing Cart with HuddleSHOT FC is the simplest, best looking videoconferencing system on the market. With a single part number you are getting a cart that can be mobile or stationary – your choice – and the industry leading HuddleSHOT camera from Vaddio.



FLEXVIEW FEATURES & BENEFITS

- The HuddleSHOT FC camera is factory installed with pre-defined camera locations at 36" and 42" above the floor.
- The FlexView includes interchangeable casters (pre-installed) and leveling feet.
- 2RU of vertical mounting and tool free Lever Lock™ small device mounting.
- Supports larger displays including most 75" interactive screens, with 300x300mm to 800x400mm VESA mounting pattern and overall weight capacity of 175lbs (79kg).
- ADA compliant for touchscreen use.



VADDIO HUDDLESHOT FC FEATURES & BENEFITS

- Built in full stereo speakers, two integrated microphones with echo cancellation and a 2x Digital Zoom with 1080p/60 resolution lens with a 125 degree field of view.
- Blinking red LED light indicates when the microphones are muted.
- POE+ to power up the HuddleSHOT FC.
- Connect and manage the included HuddleSHOT FC with the free Vaddio Deployment Tool.
- Seamless integration with major cloud-based conferencing applications including Zoom, Microsoft Teams, Google Meet, Cisco WebEx, GoToMeeting and more.
- For larger huddle spaces, HuddleSHOT FC can be paired with optional TableMIC or CeilingMIC microphones to extend the pickup range.



FLEXVIEW™ CONFERENCEING CART

WITH HUDDLESHOT FC

SPECIFICATIONS

FlexView™ Series Conferencing Cart with HuddleSHOT FC Display Cart and Stand shall be Middle Atlantic Products model #FVS-HSFC-800SC-WH. Overall dimensions of FVS-HSFC shall be ___"H x 43.5" W x 30.7"D (see drawing). FVS-HSFC display height shall be from ___ to ___ (refer to chart). FVS-HSFC shall include a pre-installed Vaddio HuddleSHOT FC all-in-one videoconferencing camera with integrated audio. Camera adjustment shall be ___ to ___ above floor (refer to chart). FVS-HSFC height adjustability method shall be Manual. FVS-HSFC shall have 4" diameter directional locking casters pre-installed and leveling feet option (included). FVS-HSFC shall have a white finish. FVS-HSFC shall have a steel subframe. FVS-HSFC shall provide 2 rackspace with a maximum of 46.1" usable depth (vertically). FVS-HSFC shall include a Lever Lock system. FVS-HSFC shall have knockouts for six AVIP panels and four RACO 440 Knockouts. FVS-HSFC shall accommodate one display and have horizontal VESA mounting patterns of 300, 400, 500, 600 and 800, and a vertical VESA pattern of 100, 200, 300 and 400. FVS-HSFC shall have an overall weight capacity of 190 lb., with no more than 175 lb. for the monitor and 50 lb. mounted inside. FVS-HSFC shall be GREENGUARD Gold Certified. FVS-HSFC shall be manufactured by an ISO 9001 and ISO 14001 registered company. FVS-HSFC shall be warranted to be free from defects in material or workmanship under normal use and conditions for 7 years.

OPTIONS

- Front Shelf Accessory shall be model # FVS-HS-FRTSHLF-WH and have a weight capacity of 25lbs (11 kg).
- Category 6 ethernet cable retractor shall be model # FVS-800-CAT6-20F and include a 20' (6m) Category 6 ethernet cable with all necessary hardware.
- Power cord retractor shall be model # FVS-800-RET15F and include a 15' 12/3 power cord with NEMA 5-15P plug and 2' 12/3 fixed power cord with three NEMA 5-15R outlets and all necessary hardware.
- Power cords for European countries shall be model FVS-EURO-CABLE and include QTY (1) 2.4m 18/3 power cord with IEC C13 and EU1-16P plug and QTY (1) 2.4m 18/3 power cord with IEC C13 and UK1-13P plug for the HuddleSHOT FC.
- Soundbar bracket shall be model # FVS-SBBU

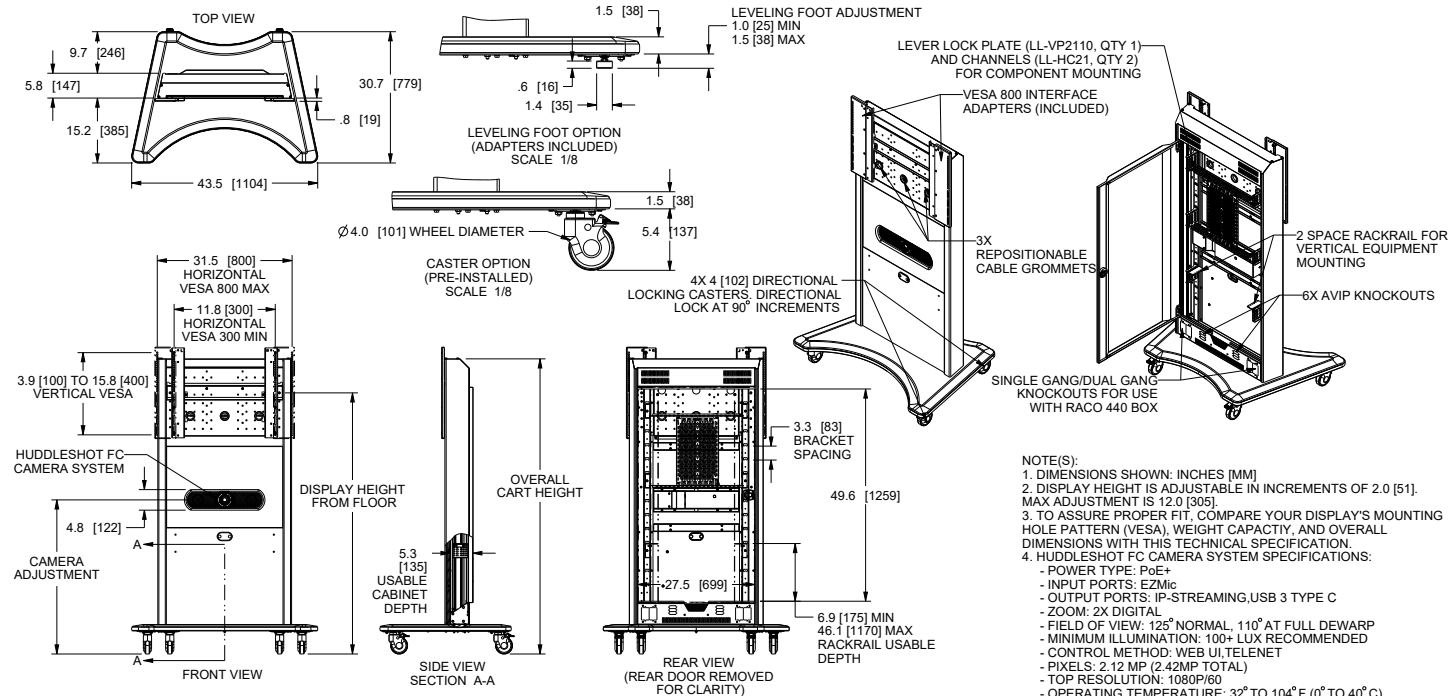


PRODUCT CERTIFIED FOR
LOW CHEMICAL EMISSIONS
UL.COM/GG
UL 2818



FLEXVIEW™ CONFERENCING CART WITH HUDDLESHOT FC

BASIC DIMENSIONS



PART NUMBER	CASTERS OR LEVELING FEET	CAMERA ADJUSTMENT (LOWER/UPPER)	COLOR	DISPLAY HEIGHT FROM FLOOR (SEE NOTE 2)		OVERALL CART HEIGHT	RECOMMENDED DISPLAY SIZE	WEIGHT CAPACITY	HORIZONTAL VESA PATTERN	VERTICAL VESA PATTERN
				MINIMUM	MAXIMUM					
FVS-HSFC-800SC-WH	CASTERS	36.0 [914]/42.0 [1067]	WHITE	53.0 [1346]	65.0 [1651]	68.9 [1751]	50 [1270] - 75 [1905]	50 LB [23 KG] INSIDE MAX 175 LB [79 KG] MONITOR ONLY MAX	300, 400, 500, 600, AND 800	100 TO 400
	LEVELING FEET	31.6 [803] - 32.1 [815] 37.6 [955] - 38.1 [968]		48.6 [1235]	60.6 [1539]	64.5 [1638] - 65.0 [1651]				

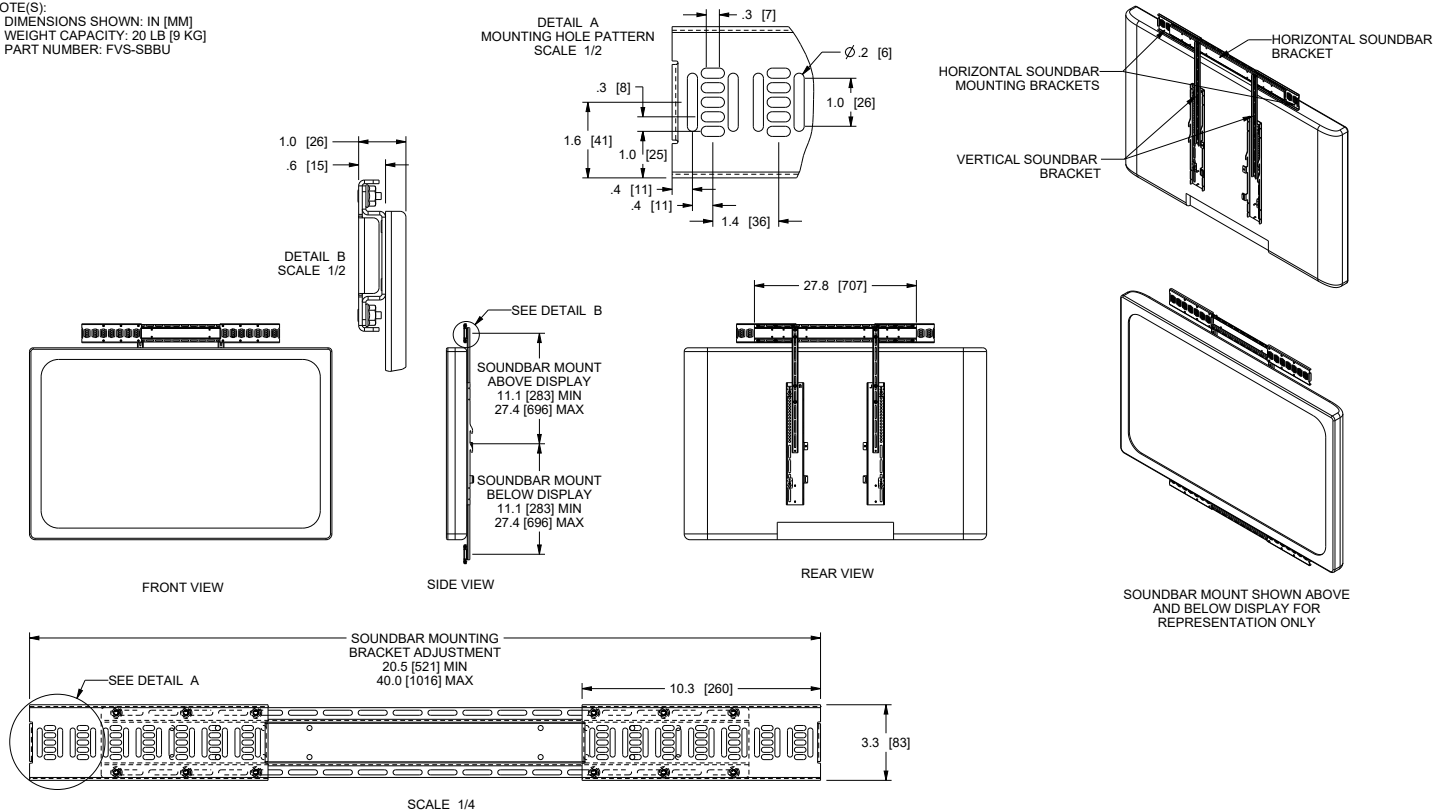


FLEXVIEW™ CONFERENCING CART WITH HUDDLESHOT FC

BASIC DIMENSIONS

FVS-HSFC-800SC-WH SOUNDBAR OPTION

- NOTE(S):
 1. DIMENSIONS SHOWN: IN [MM]
 2. WEIGHT CAPACITY: 20 LB [9 KG]
 3. PART NUMBER: FVS-SBBU



THE ART OF EASY | legrandav.com

USA 800.572.2011 avvaddio.support@legrand.com EMEA +31 495 580 840 avemea.sales@legrand.com APAC +852 2145 4099 av.asia.sales@legrand.com



WHAT GREAT SYSTEMS ARE BUILT ON™ | legrandav.com

USA 800.266.7225 av.middleatlantic.support@legrand.com

CANADA 888.766.9770 av.middleatlantic.support@legrand.com

©2021 Legrand AV Inc. 210310 Rev A 4/21 Chief and Middle Atlantic are registered trademarks of Legrand AV Inc. All other brand names or marks are used for identification purposes and are trademarks of their respective owners. All patents are protected under existing designations. Other patents pending.



COMMERCIAL AV BRANDS

C2G | Chief | Da-Lite | Luxul | Middle Atlantic | Vaddio | Wiremold