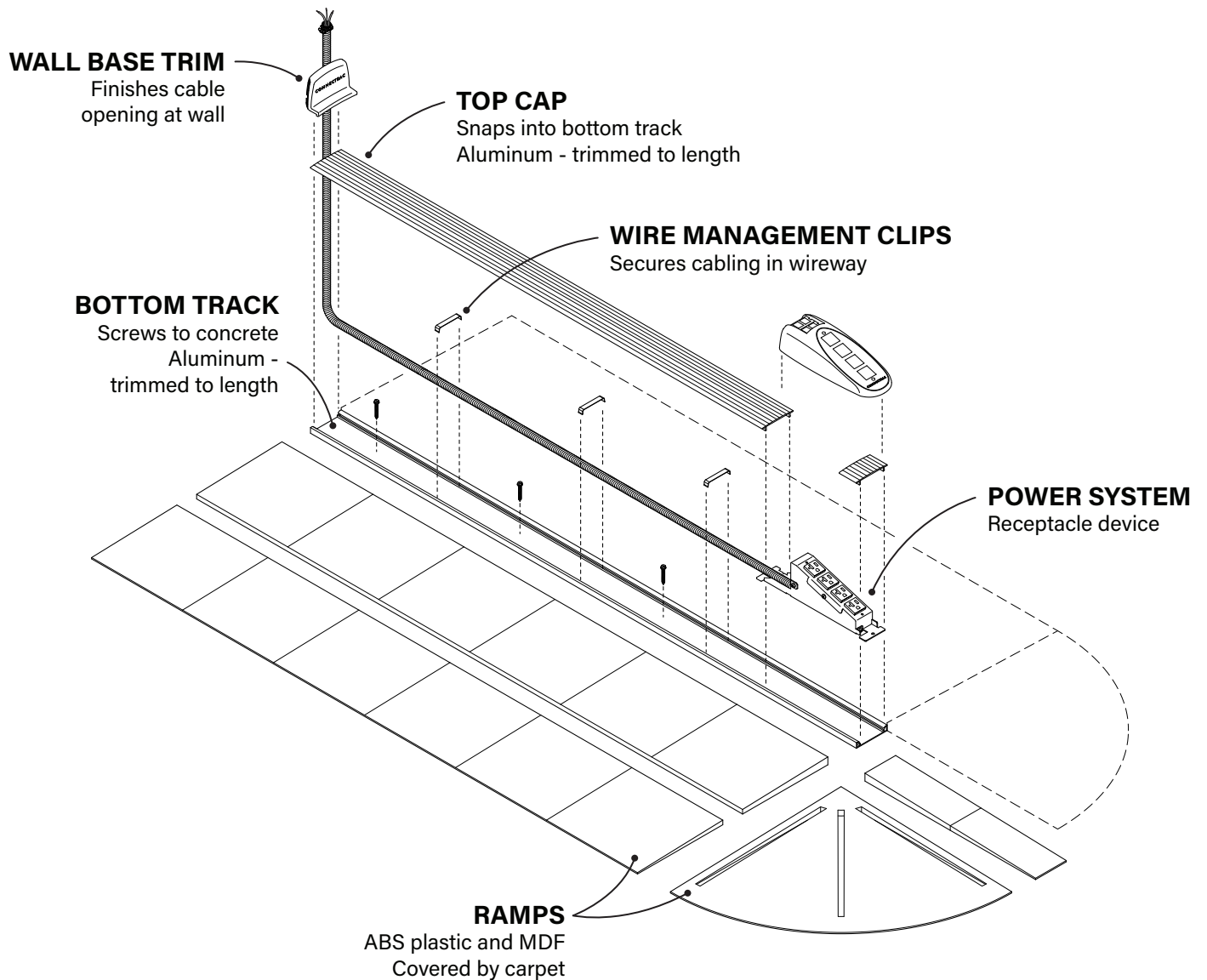


These components are typical for each raceway installation:

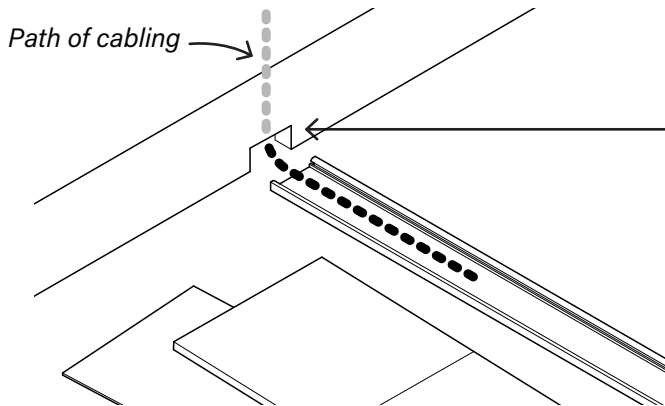


*NOTE: Glue, tape, or adhesive materials for ramps not included - see Page 3

QUESTIONS? CALL US AT 877.480.5637

INSTALLATION IN 10 STEPS

Before you start, remove all carpet from the area where you will install the Connectrac.



1 CUT A 1" x 2" HOLE IN WALL

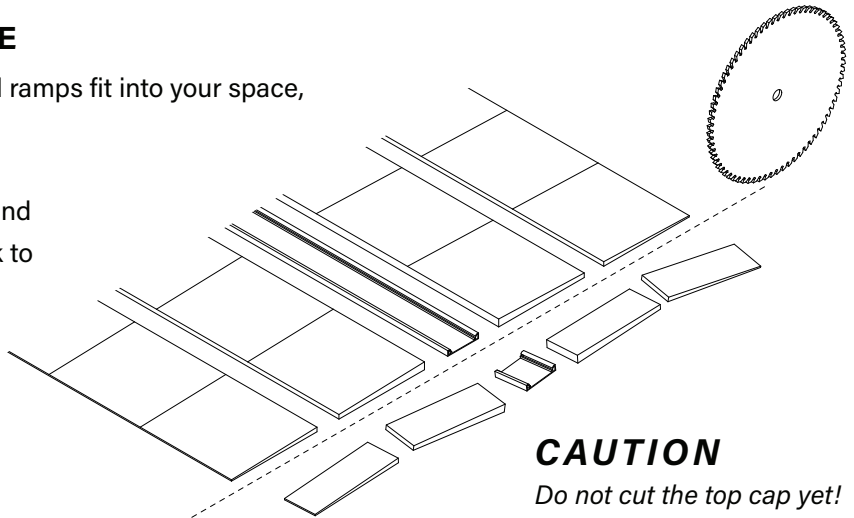
This opens the path for cables to go from the wireway into the wall.

Also cut the steel stud track and flatten it.

2 EVALUATE YOUR SPACE

If the length of your wireway and ramps fit into your space, proceed to Step 3.

As an option, you can measure and cut your ramps and bottom track to desired length. The aluminum bottom track and MDF ramps are usually trimmed using an aluminum-cutting saw blade.



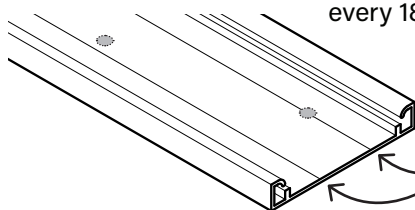
CAUTION

Do not cut the top cap yet!

3 PLAN FOR DEVICE & FASTEN DOWN TRACK

Measure where you will place the device (it can go anywhere in the wireway).

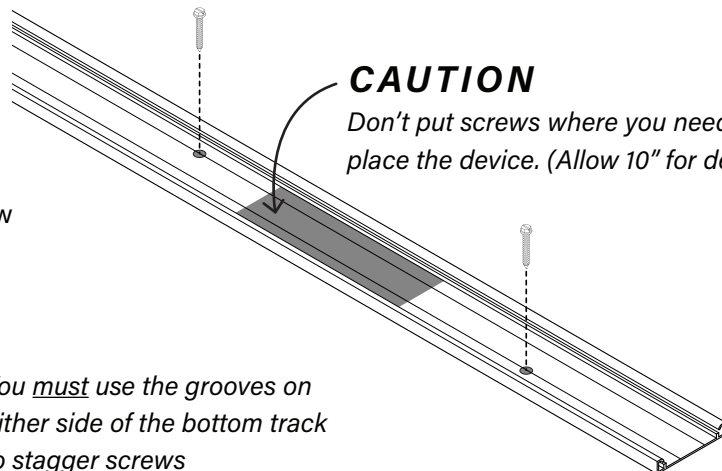
Screw the bottom track to the floor - we recommend staggering one screw every 18" - 24".



You must use the grooves on either side of the bottom track to stagger screws

CAUTION

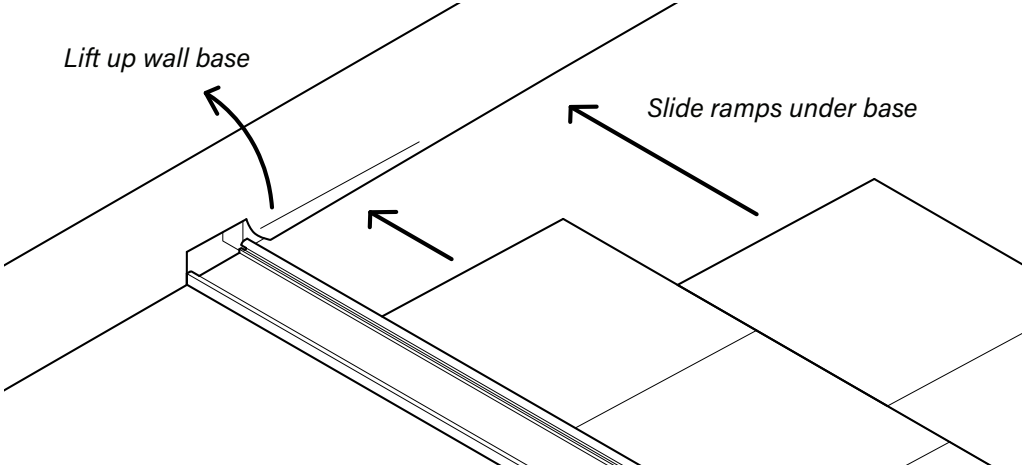
Don't put screws where you need to place the device. (Allow 10" for device).



4

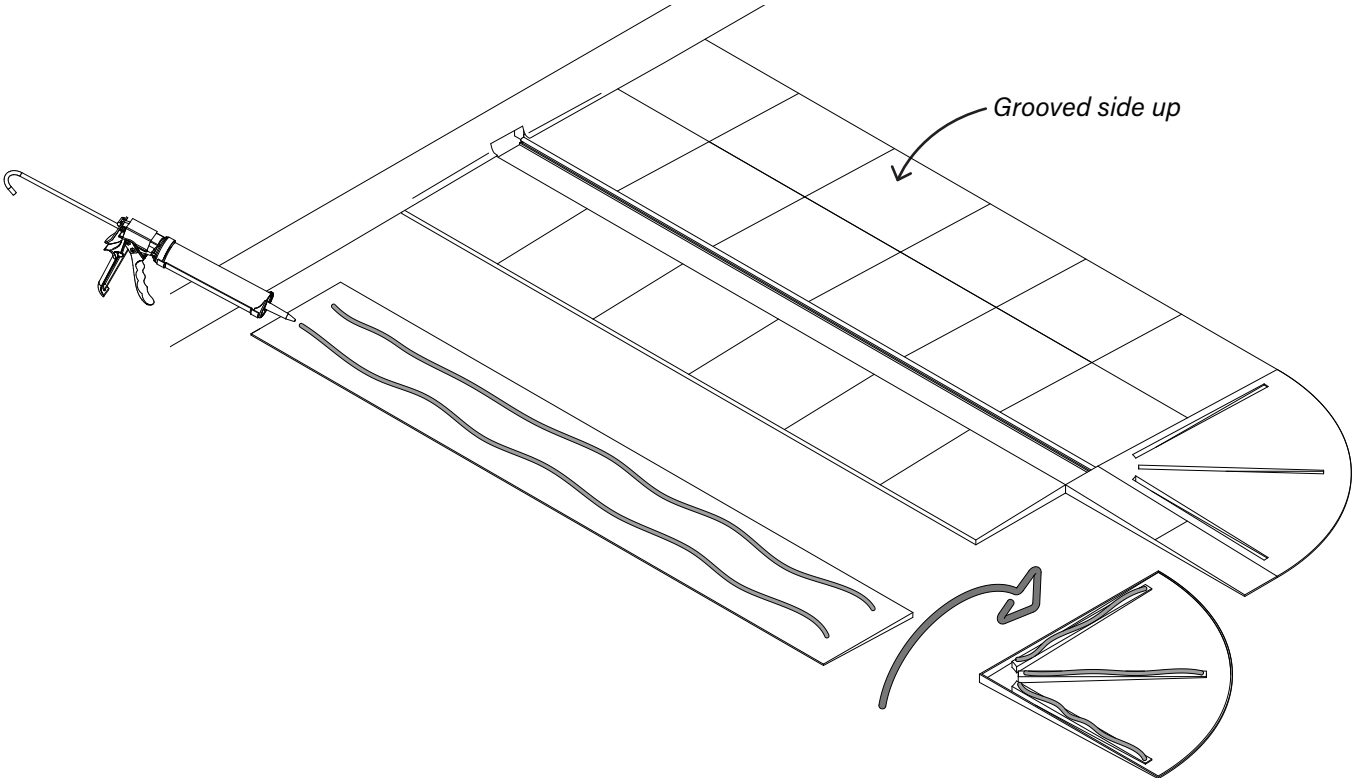
RAMP INSTALLATION

The wall base can usually be lifted up in order to install the ramps and carpet underneath. This results in a very clean Connectrac installation.



GLUE OR TAPE DOWN RAMPS

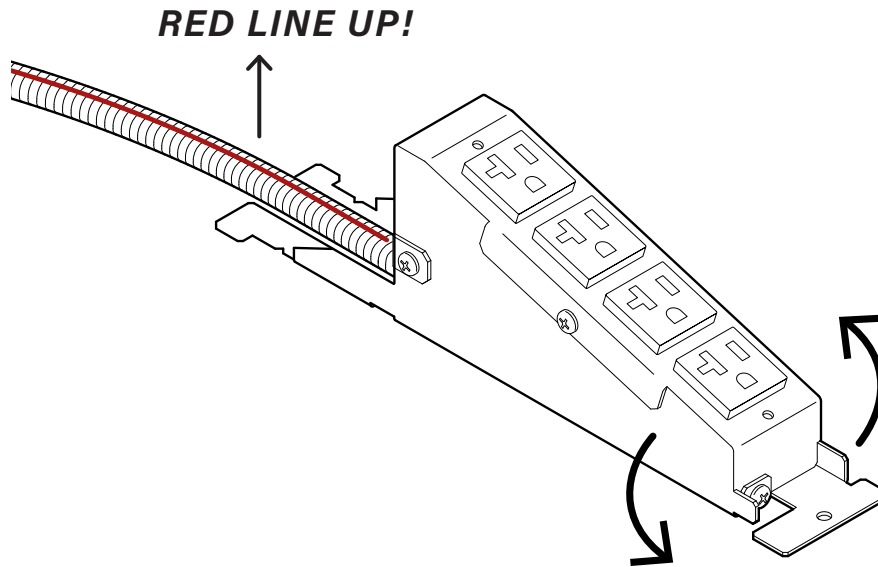
The outer ramping system is glued or taped down around the wireway with a construction adhesive such as Liquid Nails HD or butyl tape (not included).



5

STRAIGHTEN AND FLATTEN CONDUIT

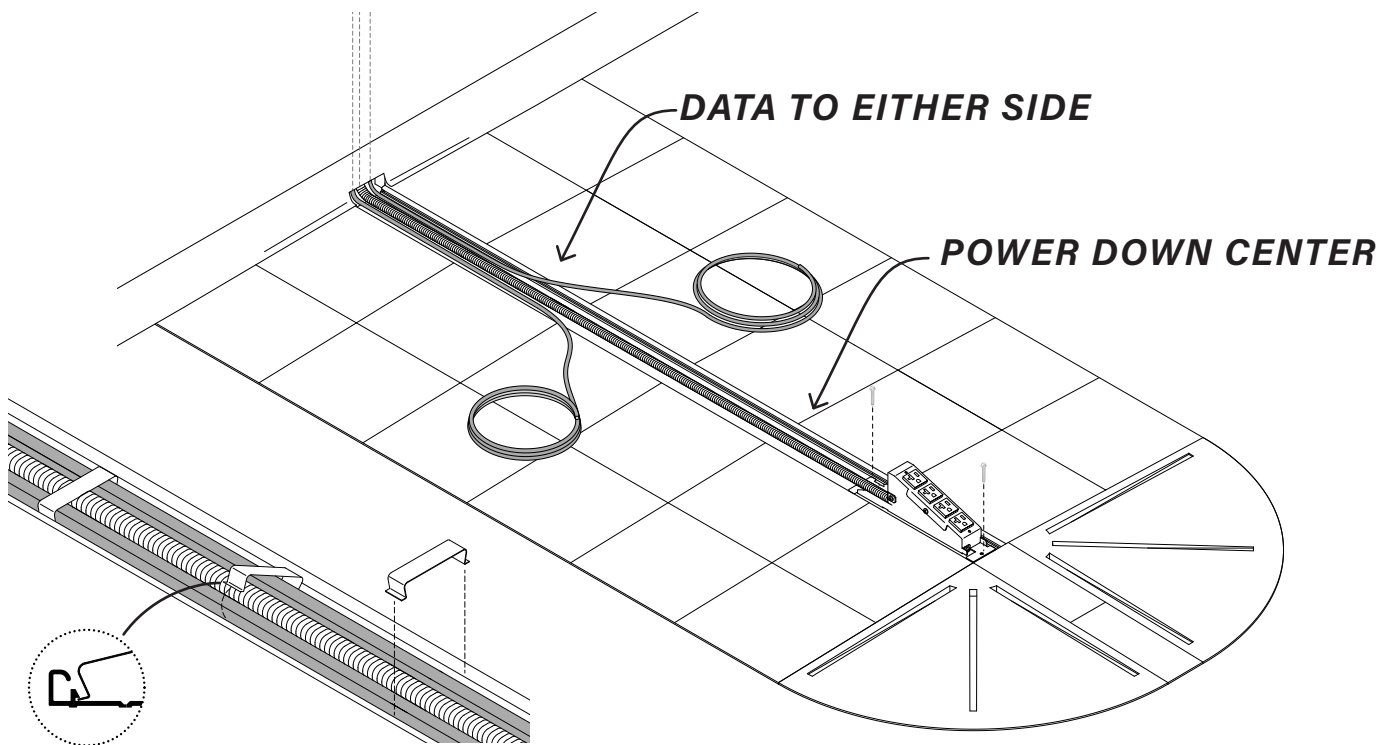
It's important to make sure the conduit is flat and not twisted inside the wireway so that the top cap fits appropriately. There is a red line marking the top of the conduit - make sure it's always facing up!



6

PLACE CABLING INTO WIREWAY

Once the pre-wired conduit is placed, lay the cables to each side of conduit.

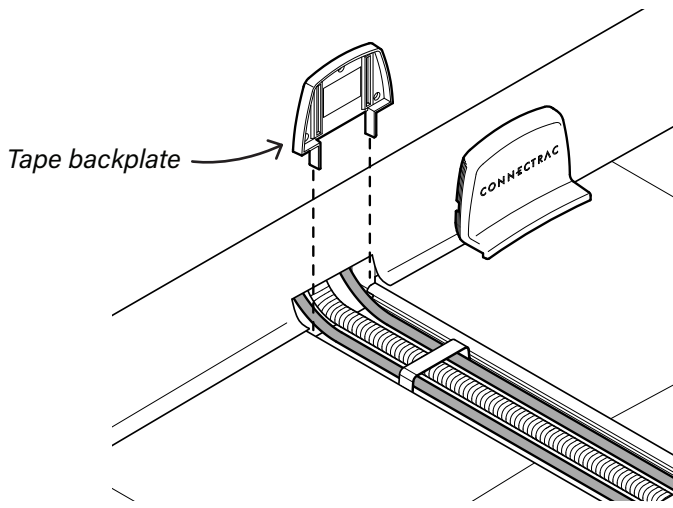


WIRE MANAGEMENT CLIPS

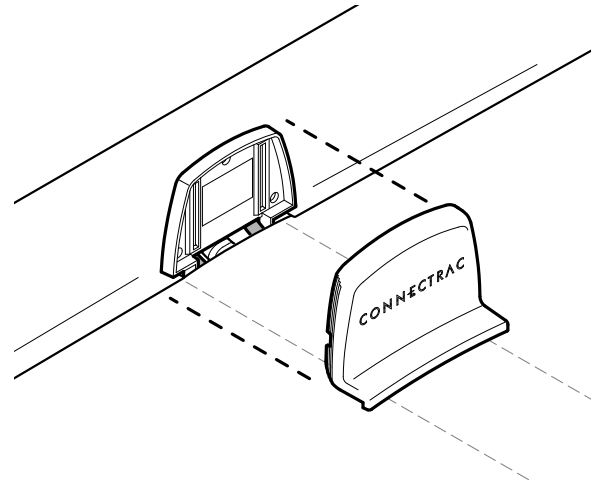
To protect cables and to make it easier to install the top cap, snap the clip into the grooves on both sides of the bottom track.

7 ABOUT THAT HOLE IN THE WALL

The Wall Base Trim covers it up:



Use mounting tape to stick the backplate against the wall base, making sure to align the legs in the aluminum bottom track. Use screws for additional support.



Set aside the frontplate until after the carpet is installed, then snap the frontplate onto the backplate.

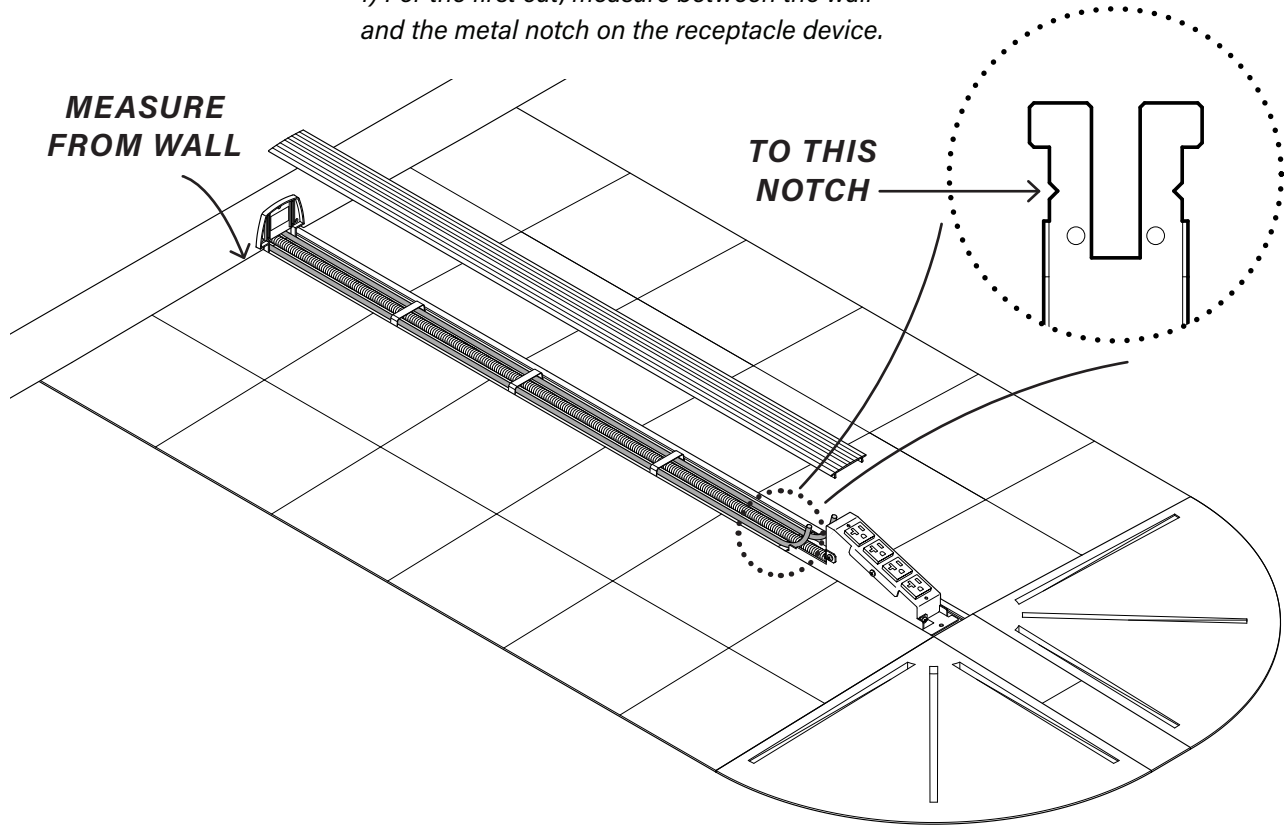


8

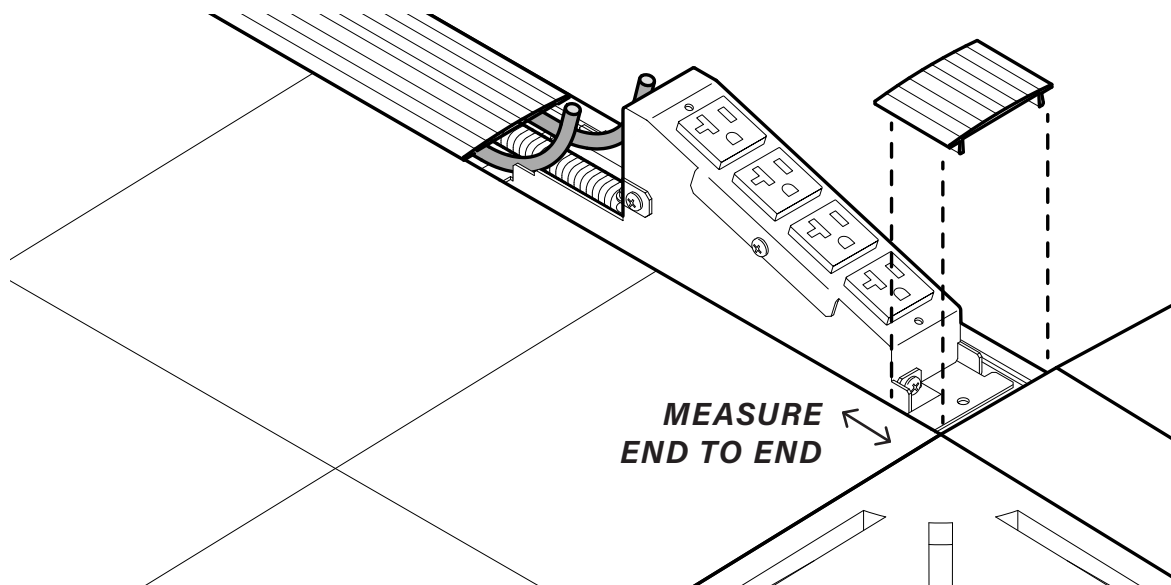
INSTALLING THE WIREWAY TOP CAP

The top cap is designed to hold down the receptacle device without using screws. There will be 2 cuts in the top cap.

1) For the first cut, measure between the wall and the metal notch on the receptacle device.



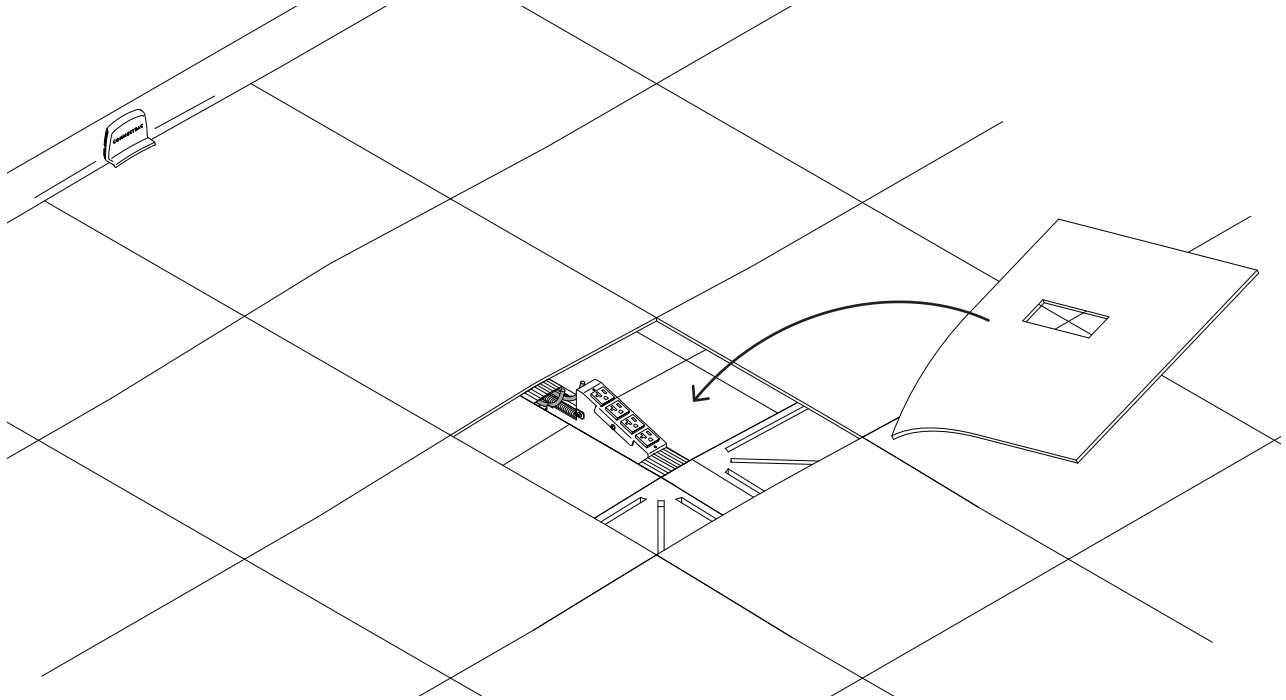
2) For the second cut, measure from the end of the wireway to the end of the device (minimum length 2"). Then snap those top cap pieces into your wireway.



9

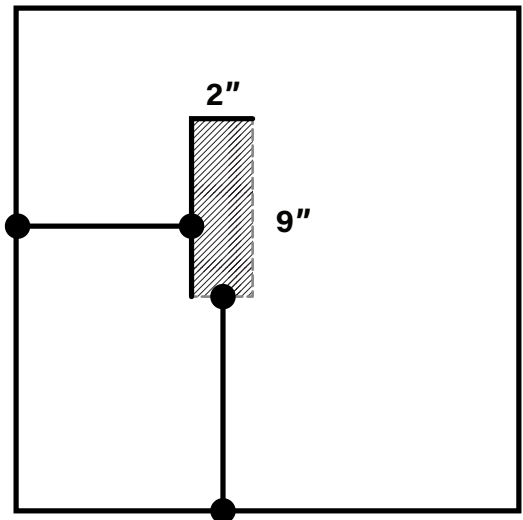
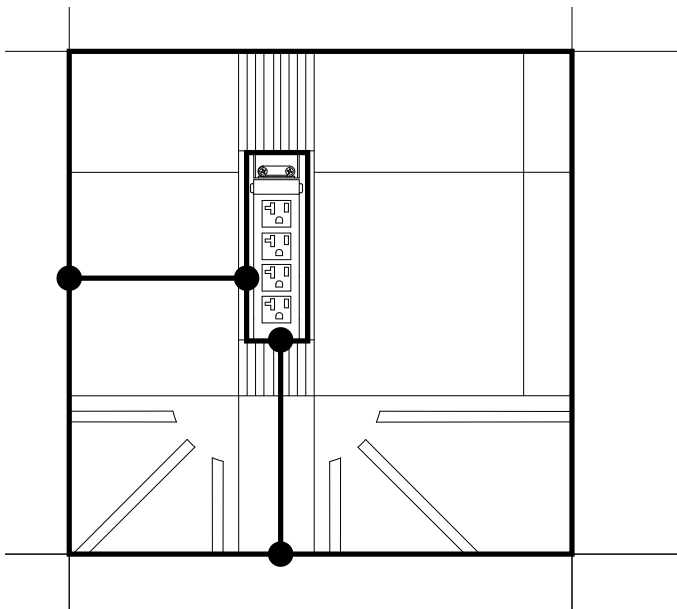
INSTALLING CARPET

Keeping the carpet tile seams away from the wireway will result in a cleaner Connectrac installation. Place all carpet tiles back in place except for the tile that will cover the device:



For the carpet tile covering the device, measure from the carpet to the edge of the device on two sides:

Then transfer those measurements to your carpet and cut a hole for the device:



CAUTION

If you cut from the back, remember to mirror the measurements from the other side.

10

INSTALLING RECEPTACLE DEVICE COVER

The last step is to terminate any data cabling, and attach the cover to the electrical device.

