

# CONNECTRAC.

A brand of **legrand**



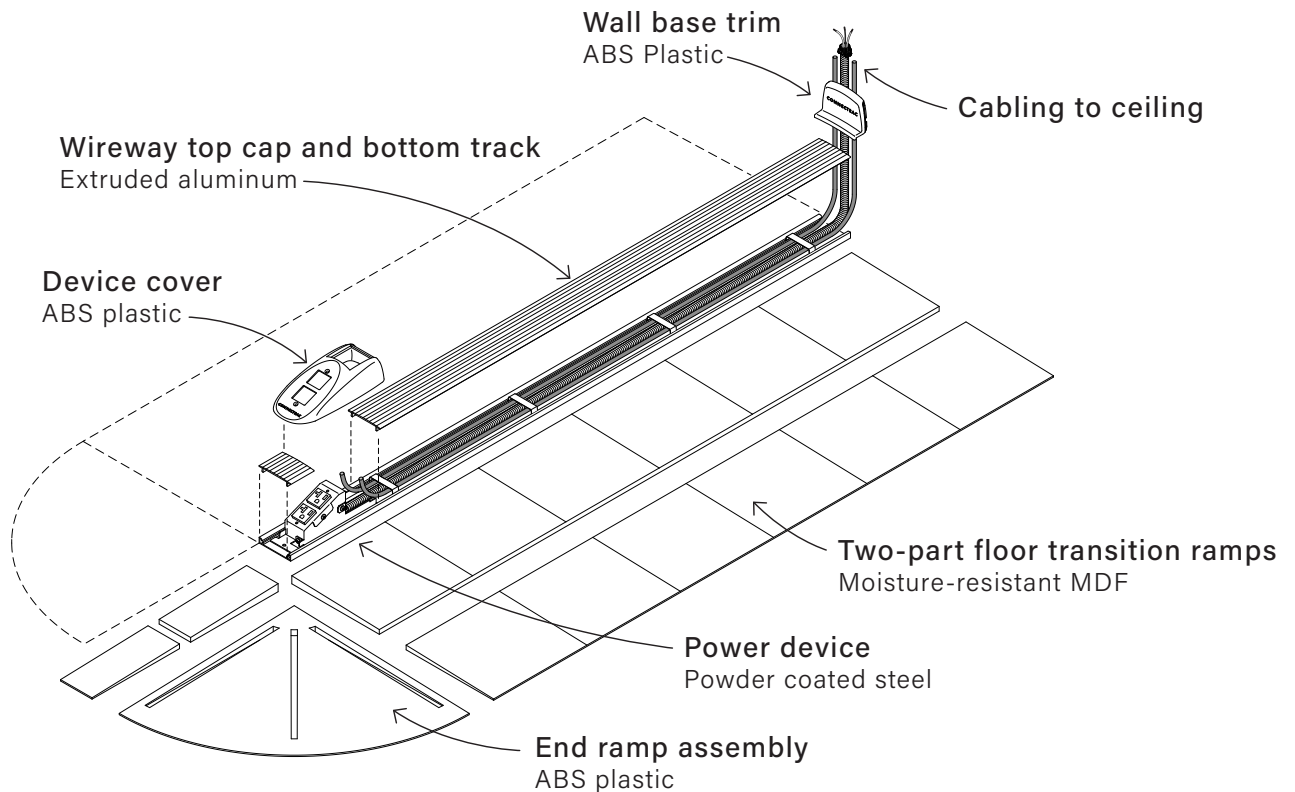
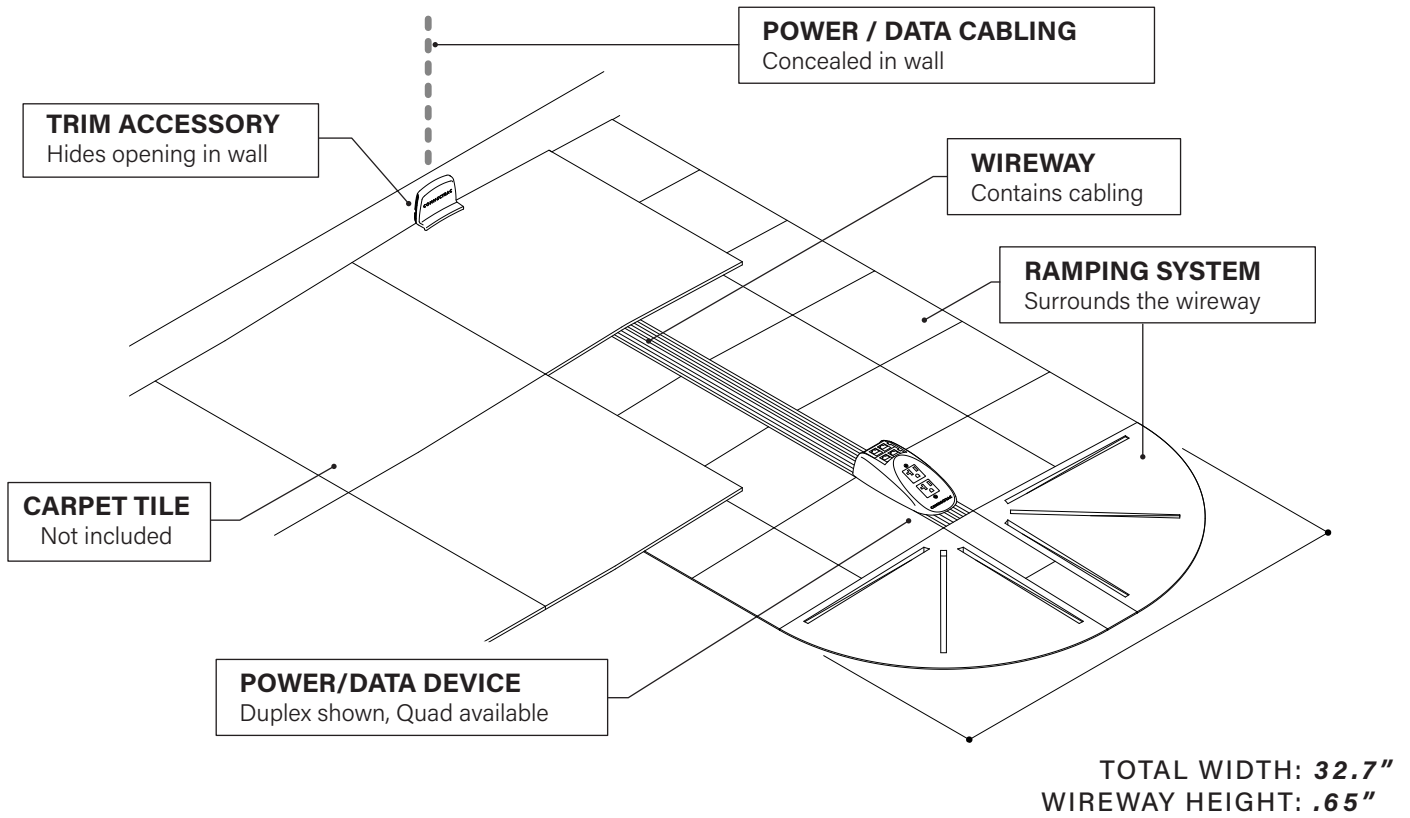
## UNDER-CARPET RACEWAY Spec Guide

### So Subtle it Virtually Disappears

Connectrac Under-Carpet Raceways. Completely concealed by carpet tile, they are Connectrac's lowest, sleekest, most invisible wireways. They offer a pre-wired quad receptacle and capacity for 4 CAT-6 cables.

#### Features & Benefits

- Lower, leaner and virtually invisible
- Completely hidden under carpet tile
- Wireway channel for power and 4 CAT-6 cables
- Special galvanized oval flex conduit pre-wired for power
- AV/Data completely separated from power by steel conduit
- ADA compliant





One complete Under-Carpet Raceway provides everything you need in the length specified, including complete wireway, MDF\* ramps, and power systems as well as all the accessories you need for installation.

To specify select the type of power device, the raceway length, and the length of the power infeed below.

**PART NUMBER:****DESCRIPTION:**

CT.UCR-08-QD25  
CT.UCR-04-EXT

8' UNDER CARPET RACEWAY kit w/ quad receptacle w/ 25' conduit  
4' UNDER CARPET RACEWAY EXTENSION

---

Need an ASHRAE or Title 24 controlled receptacle? Contact us at **877.480.5637** or **info@connectrac.com!**

**\*MDF ramps - Prop 65 Warning:** Drilling, sawing, sanding or machining wood products can expose you to wood dust, a substance known to the State of California to cause cancer. Avoid inhaling wood dust or use a dust mask or other safeguards for personal protection. For more information go to [www.P65Warnings.ca.gov/wood](http://www.P65Warnings.ca.gov/wood)

These components are included with each quad device:

**DATA**

Provides unloaded modules to mount up to 4 keystone modules, as well as blanks if necessary

**DEVICE COVER**

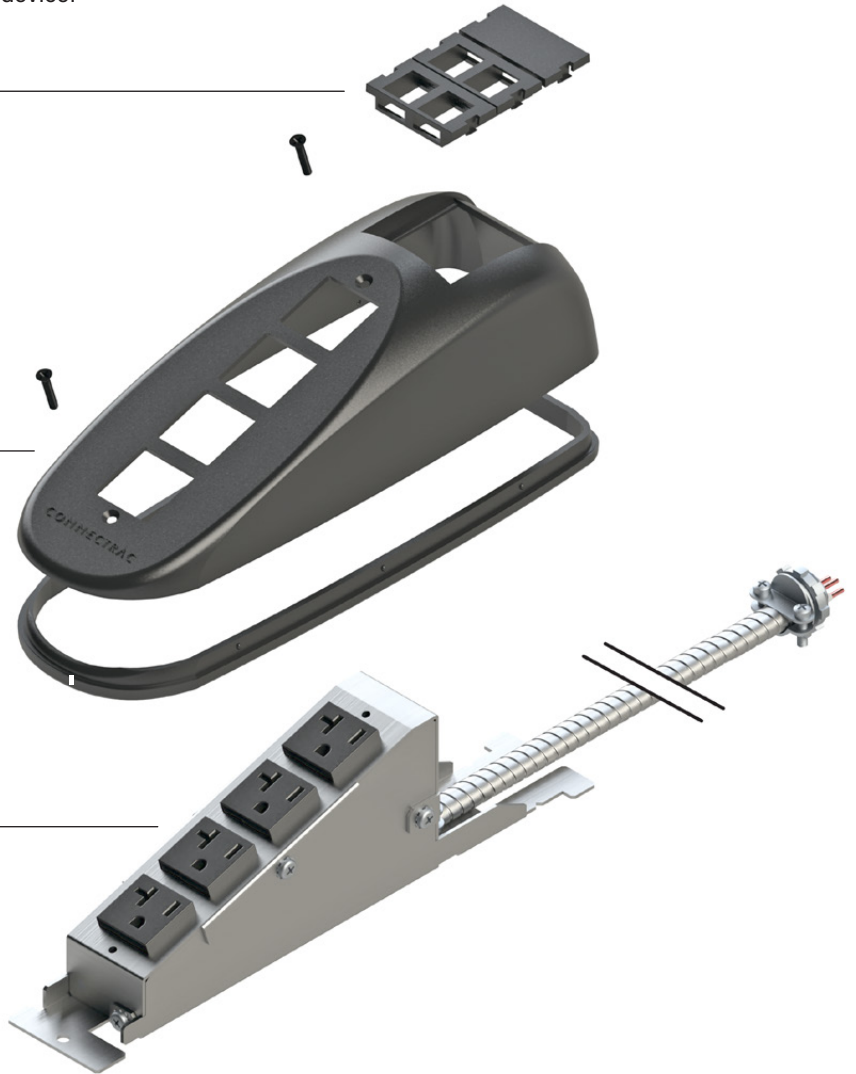
Attaches to top of device

**TRIM SKIRT**

Snaps into Device Cover

**POWER**

Powered quad device attached to a flexible steel conduit that is pre-wired



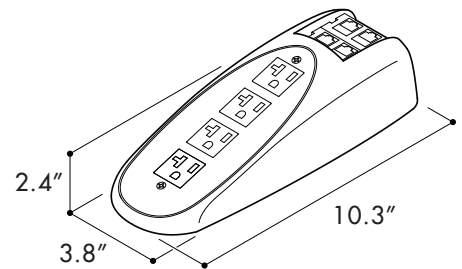
**DEVICE INFORMATION**

NAME: Quad Receptacle

DESCRIPTION: The Quad Receptacle is a pre-wired, 20-amp outlet device available in a single-circuit option. The device includes 4 power outlets and up to 4 customizable data keystone modules.

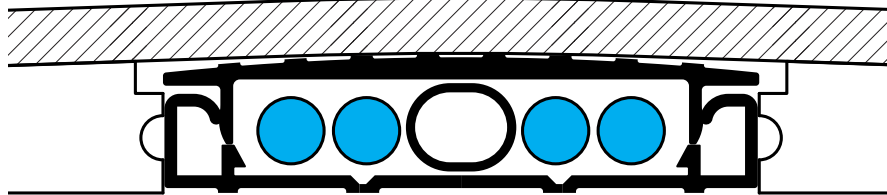
ELECTRICAL LISTING: **US:** This device meets UL 111 standards for multioutlet assemblies and is listed by ETL / Intertek. The device is identified with the ETL Listed Mark.

**Canada:** This device meets CAN/CSA 22.2 No. 62 standards for surface raceway systems and is listed by ETL / Intertek. The device is identified with the cETL Listed Mark.



### **WIREWAY CAPACITY**

Alongside the shielded flexible power conduit, the wireway can accommodate up to (4) low-voltage cables (data, telecom, AV):



### **WIREWAY DIMENSIONS**

*Outside Dimensions: 2.7" x .65"*

*Inside Dimensions: 2" x .4"*

### **WEIGHT CAPACITY**

Connectrac systems are designed to withstand loads up to 1000 pounds.

### **WIRING DIAGRAM**

Both the Duplex and Quad power devices are single-circuit, pre-wired systems. The flexible conduit includes a 1/2" knockout fitting and typically connects to a junction box in the wall or ceiling:

