

THE CABINET THAT CAN DO IT ALL

IN-STOCK AND READY TO SHIP
CABINET SOLUTION FOR AV, DATACOMM,
NETWORKING AND SECURITY

MIDDLE ATLANTIC
A brand of **Legrand**

SNE SERIES PRE-CONFIGURED CABINETS FOR DIGITAL SYSTEMS WITH VENTED DOORS AND SIDE PANELS

Pre-Configured Cabinet for Digital Systems with Vented Front and Rear Doors and Side Panels for Front to Back Passive Thermal Management and (2) Pairs of Cage Nut Rackrail

24" W / 42RU / 42" D: SNE24D-4242-P1

24" W / 45RU / 42" D: SNE24D-4542-P1

24" W / 45RU / 48" D: SNE24D-4548-P1

The SNE Series Digital is configured for data center, MDF and digital (IP based) systems consisting of high-density cabling, network equipment, and servers. Use the patented Tool-Free Lever Lock™ system to mount small devices on the side of the cabinet to free up rackspace.

- Lever Lock™ compatible (accepts all 21" vertical accessories)
- Configured for passive front-to-back cooling
- UL-listed and seismic certified
- Weight capacity: 3,000 lbs (UL) and 1,050 lbs (Seismic)
- Includes:
 - 70% open front door and 70% open area split rear door
 - Solid top with brush cable pass-through
 - Pair of split flush mount locking side panels
 - 2 pair of adjustable cage nut rackrail
 - (100) 6mm cage nuts and rack screws
 - 4 leveling feet
 - 4 casters



Pre-configured with



vented front door



split vented rear door



6" wide wire grid lace



flush mount side panels



caster wheels and leveling feet



solid top with brush pass-throughs

The Cabinet that Can Do It All



SNE SERIES PRE-CONFIGURED CABINET FOR NETWORKING SYSTEMS WITH INTERNAL VERTICAL CABLE MANAGERS

SNE30N-4542

30" Wide, 45RU, 42" Deep Pre-Configured Cabinet for Networking Systems with internal Vertical Cable Managers, Solid Split Rear Door and 10-32 Threaded Rackrail



The SNE Series Networking cabinet is designed for systems with dense cabling when utilizing network-patching equipment. It comes equipped with internal cable ducts to properly route and protect your cables inside the cabinet. Use the patented Tool-Free Lever Lock™ system to mount small devices on the side of the cabinet to free up rackspace.

- Lever Lock™ compatible (accepts all 21" vertical accessories)
- UL listed and seismic certified
- Weight capacity: 3,000 lbs (UL) and 1,050 lbs (Seismic)
- Includes:
 - (2) Cable ducts in front for cable management
 - 4 leveling feet
 - Solid split rear door
 - Solid top
 - 2 pair of adjustable 10-32 tapped rackrail
 - Pack of (100) 10-32 rack screws

Pre-configured with



solid split rear door



leveling feet



cable management
ducts



solid top with brush
pass-throughs

WHAT GREAT SYSTEMS ARE BUILT ON™ | legrandav.com

USA 800.266.7225 av.middleatlantic.support@legrand.com

CANADA 888.766.9770 av.middleatlantic.support@legrand.com

LEGRAND | AV COMMERCIAL BRANDS

C2G | Chief | Da-Lite | Luxul | Middle Atlantic | Vaddio | Wiremold

The Cabinet that Can Do It All

		SNE24D-4242-P1	SNE24D-4542-P1	SNE24D-4548-P1	SNE30N-4542
Size	RU	42	45	45	45
	Overall Depth	42"	42"	48"	42"
	Useable Depth	38.5"	38.5"	44.5"	27.3"
	Width	24"	24"	24"	30"
Features	Application(s)	Data Centers, MDFs, etc.	Data Centers, MDFs, etc.	Data Centers, MDFs, etc.	Network Patching, Edge Computing, etc.
	Lever Lock Compatible	Yes	Yes	Yes	Yes
	Cooling	Passive (Front to Back)	Passive (Front to Back)	Passive (Front to Back)	Passive (Open Sides and Front)
Included Options	Rackrail	Cage Nut (2 Pairs)	Cage Nut (2 Pairs)	Cage Nut (2 Pairs)	10-32 Threaded (2 Pairs)
	Front Door	70% Vented	70% Vented	70% Vented	N/A
	Rear Door	70% Vented Split	70% Vented Split	70% Vented Split	Solid Split
	Side Panels	Flush Mount & Locking	Flush Mount & Locking	Flush Mount & Locking	N/A
	Top	Solid Top w/ Brush	Solid Top w/ Brush	Solid Top w/ Brush	Solid Top w/ Brush
	Internal Cable Ducts	No	No	No	Yes
	Leveling Feet	Yes	Yes	Yes	Yes
Weight Capacity	UL Weight Capacity	3,000 lbs.	3,000 lbs.	3,000 lbs.	3,000 lbs.
	Seismic Weight Capacity	1,050 lbs.	1,050 lbs.	1,050 lbs.	1,050 lbs.

Made to Order SNE Cabinets

 Stocked SNE

24" Wide SNE Series						
Digital Systems	Part Number	RU	Overall Depth	Rackrail Type	Cooling	Side Panels
	SNE24D-2436-P1	24	36"	Cage Nut	Passive Front to Back	Yes
	SNE24D-2436-P1AB	24	36"	Cage Nut	Passive Front to Back	No
	SNE24D-2442-P1	24	42"	Cage Nut	Passive Front to Back	Yes
	SNE24D-4236-P1	42	36"	Cage Nut	Passive Front to Back	Yes
	SNE24D-4236-P1AB	42	36"	Cage Nut	Passive Front to Back	No
	SNE24D-4242-P1	42	42"	Cage Nut	Passive Front to Back	Yes
	SNE24D-4242-P1AB	42	42"	Cage Nut	Passive Front to Back	No
	SNE24D-4242-P2	42	42"	Cage Nut	Passive Front to Chimney Top	Yes
	SNE24D-4248-P1	42	48"	Cage Nut	Passive Front to Back	Yes
	SNE24D-4248-P1AB	42	48"	Cage Nut	Passive Front to Back	No
	SNE24D-4536-P1	45	36"	Cage Nut	Passive Front to Back	Yes
	SNE24D-4536-P1AB	45	36"	Cage Nut	Passive Front to Back	No
	SNE24D-4542-P1	45	42"	Cage Nut	Passive Front to Back	Yes
	SNE24D-4542-P1AB	45	42"	Cage Nut	Passive Front to Back	No
	SNE24D-4542-P2	45	42"	Cage Nut	Passive Front to Chimney Top	Yes
	SNE24D-4548-P1	45	48"	Cage Nut	Passive Front to Back	Yes
SNE24D-4548-P1AB	45	48"	Cage Nut	Passive Front to Back	No	
SNE24D-4548-P2	45	48"	Cage Nut	Passive Front to Chimney Top	Yes	

The Cabinet that Can Do It All

Made to Order SNE Cabinets

 Stocked SNE

24" Wide SNE Series						
	Part Number	RU	Overall Depth	Rackrail Type	Cooling	Side Panels
Hybrid Systems*	SNE24H-2436-A1	24	36"	10-32 Threaded	Active Front to Top w/ Fan Top	Yes
	SNE24H-2436-A2	24	36"	10-32 Threaded	Active Front to Back w/ Fan Rear Door	Yes
	SNE24H-2442-A1	24	42"	10-32 Threaded	Active Front to Top w/ Fan Top	Yes
	SNE24H-2442-A2	24	42"	10-32 Threaded	Active Front to Back w/ Fan Rear Door	Yes
	SNE24H-4236-A1	42	36"	10-32 Threaded	Active Front to Top w/ Fan Top	Yes
	SNE24H-4236-A2	42	36"	10-32 Threaded	Active Front to Back w/ Fan Rear Door	Yes
	SNE24H-4242-A1	42	42"	10-32 Threaded	Active Front to Top w/ Fan Top	Yes
	SNE24H-4242-A2	42	42"	10-32 Threaded	Active Front to Back w/ Fan Rear Door	Yes
	SNE24H-4536-A1	45	36"	10-32 Threaded	Active Front to Top w/ Fan Top	Yes
	SNE24H-4536-A2	45	36"	10-32 Threaded	Active Front to Back w/ Fan Rear Door	Yes
	SNE24H-4542-A1	45	42"	10-32 Threaded	Active Front to Top w/ Fan Top	Yes
	SNE24H-4542-A2	45	42"	10-32 Threaded	Active Front to Back w/ Fan Rear Door	Yes
Frame Only with 10-32 Threaded Rackrail	SNE24F-2436	24	36"	10-32 Threaded	Open Frame	No
	SNE24F-2442	24	42"	10-32 Threaded	Open Frame	No
	SNE24F-4236	42	36"	10-32 Threaded	Open Frame	No
	SNE24F-4242	42	42"	10-32 Threaded	Open Frame	No
	SNE24F-4248	42	48"	10-32 Threaded	Open Frame	No
	SNE24F-4536	45	36"	10-32 Threaded	Open Frame	No
	SNE24F-4542	45	42"	10-32 Threaded	Open Frame	No
	SNE24F-4548	45	48"	10-32 Threaded	Open Frame	No
Frame Only with Cage Nut Rackrail	SNE24F-CN-2436	24	36"	Cage Nut	Open Frame	No
	SNE24F-CN-2442	24	42"	Cage Nut	Open Frame	No
	SNE24F-CN-4236	42	36"	Cage Nut	Open Frame	No
	SNE24F-CN-4242	42	42"	Cage Nut	Open Frame	No
	SNE24F-CN-4248	42	48"	Cage Nut	Open Frame	No
	SNE24F-CN-4536	45	36"	Cage Nut	Open Frame	No
	SNE24F-CN-4542	45	42"	Cage Nut	Open Frame	No
	SNE24F-CN-4548	45	48"	Cage Nut	Open Frame	No

*The SNE Series Hybrid Pre-Configured enclosure is designed for systems consisting of a mix of analog and digital equipment.

The Cabinet that Can Do It All

Made to Order SNE Cabinets

 Stocked SNE

27" Wide SNE Series						
	Part Number	RU	Overall Depth	Rackrail Type	Cooling	Side Panels
Digital Systems	SNE27D-4236-P1	42	36"	Cage Nut	Passive Front to Back	Yes
	SNE27D-4242-P1	42	42"	Cage Nut	Passive Front to Back	Yes
	SNE27D-4248-P1	42	48"	Cage Nut	Passive Front to Back	Yes
	SNE27D-4536-P1	45	36"	Cage Nut	Passive Front to Back	Yes
	SNE27D-4536-P1AB	45	36"	Cage Nut	Passive Front to Back	No
	SNE27D-4542-P1	45	42"	Cage Nut	Passive Front to Back	Yes
	SNE27D-4542-P1AB	45	42"	Cage Nut	Passive Front to Back	No
	SNE27D-4548-P1	45	48"	Cage Nut	Passive Front to Back	Yes
SNE27D-4548-P2	45	48"	Cage Nut	Passive Front to Chimney Top	Yes	
Hybrid Systems*	SNE27H-4236-A1	42	36"	10-32 Threaded	Active Front to Top w/ Fan Top	Yes
	SNE27H-4236-A2	42	36"	10-32 Threaded	Active Front to Back w/ Fan Rear Door	Yes
	SNE27H-4242-A1	42	42"	10-32 Threaded	Active Front to Top w/ Fan Top	Yes
	SNE27H-4242-A2	42	42"	10-32 Threaded	Active Front to Back w/ Fan Rear Door	Yes
	SNE27H-4536-A1	45	36"	10-32 Threaded	Active Front to Top w/ Fan Top	Yes
	SNE27H-4536-A2	45	36"	10-32 Threaded	Active Front to Back w/ Fan Rear Door	Yes
	SNE27H-4542-A1	45	42"	10-32 Threaded	Active Front to Top w/ Fan Top	Yes
	SNE27H-4542-A2	45	42"	10-32 Threaded	Active Front to Back w/ Fan Rear Door	Yes
Frame Only with 10-32 Threaded Rackrail	SNE27F-4236	42	36"	10-32 Threaded	Open Frame	No
	SNE27F-4242	42	42"	10-32 Threaded	Open Frame	No
	SNE27F-4248	42	48"	10-32 Threaded	Open Frame	No
	SNE27F-4536	45	36"	10-32 Threaded	Open Frame	No
	SNE27F-4542	45	42"	10-32 Threaded	Open Frame	No
	SNE27F-4548	45	48"	10-32 Threaded	Open Frame	No
Frame Only with Cage Nut Rackrail	SNE27F-CN-4236	42	36"	Cage Nut	Open Frame	No
	SNE27F-CN-4242	42	42"	Cage Nut	Open Frame	No
	SNE27F-CN-4248	42	48"	Cage Nut	Open Frame	No
	SNE27F-CN-4536	45	36"	Cage Nut	Open Frame	No
	SNE27F-CN-4542	45	42"	Cage Nut	Open Frame	No
	SNE27F-CN-4548	45	48"	Cage Nut	Open Frame	No

*The SNE Series Hybrid Pre-Configured enclosure is designed for systems consisting of a mix of analog and digital equipment.

The Cabinet that Can Do It All

Made to Order SNE Cabinets

 Stocked SNE

30" Wide SNE Series						
	Part Number	RU	Overall Depth	Rackrail Type	Cooling	Side Panels
Digital Systems	SNE30D-4236-P1	42	36"	Cage Nut	Passive Front to Back	Yes
	SNE30D-4242-P1	42	42"	Cage Nut	Passive Front to Back	Yes
	SNE30D-4242-P1AB	42	42"	Cage Nut	Passive Front to Back	No
	SNE30D-4248-P1	42	48"	Cage Nut	Passive Front to Back	Yes
	SNE30D-4536-P1	45	36"	Cage Nut	Passive Front to Back	Yes
	SNE30D-4536-P1AB	45	36"	Cage Nut	Passive Front to Back	No
	SNE30D-4542-P1	45	42"	Cage Nut	Passive Front to Back	Yes
	SNE30D-4542-P1AB	45	42"	Cage Nut	Passive Front to Back	No
	SNE30D-4542-P2	45	42"	Cage Nut	Passive Front to Chimney Top	Yes
	SNE30D-4548-P1	45	48"	Cage Nut	Passive Front to Back	Yes
SNE30D-4548-P2	45	48"	Cage Nut	Passive Front to Chimney Top	Yes	

Hybrid Systems*	SNE30H-4236-A1	42	36"	10-32 Threaded	Active Front to Top w/ Fan Top	Yes
	SNE30H-4236-A2	42	36"	10-32 Threaded	Active Front to Back w/ Fan Rear Door	Yes
	SNE30H-4242-A1	42	42"	10-32 Threaded	Active Front to Top w/ Fan Top	Yes
	SNE30H-4242-A2	42	42"	10-32 Threaded	Active Front to Back w/ Fan Rear Door	Yes
	SNE30H-4536-A1	45	36"	10-32 Threaded	Active Front to Top w/ Fan Top	Yes
	SNE30H-4542-A1	45	42"	10-32 Threaded	Active Front to Top w/ Fan Top	Yes

Networking Systems	SNE30N-4536	45	36"	10-32 Threaded	Open Front and Sides	No
	SNE30N-4536-LRD	45	36"	10-32 Threaded	Open Frame	No
	SNE30N-4542	45	42"	10-32 Threaded	Open Front and Sides	No
	SNE30N-4542-LRD	45	42"	10-32 Threaded	Open Frame	No
	SNE30N-4548	45	48"	10-32 Threaded	Open Front and Sides	No
	SNE30N-4548-LRD	45	48"	10-32 Threaded	Open Frame	No

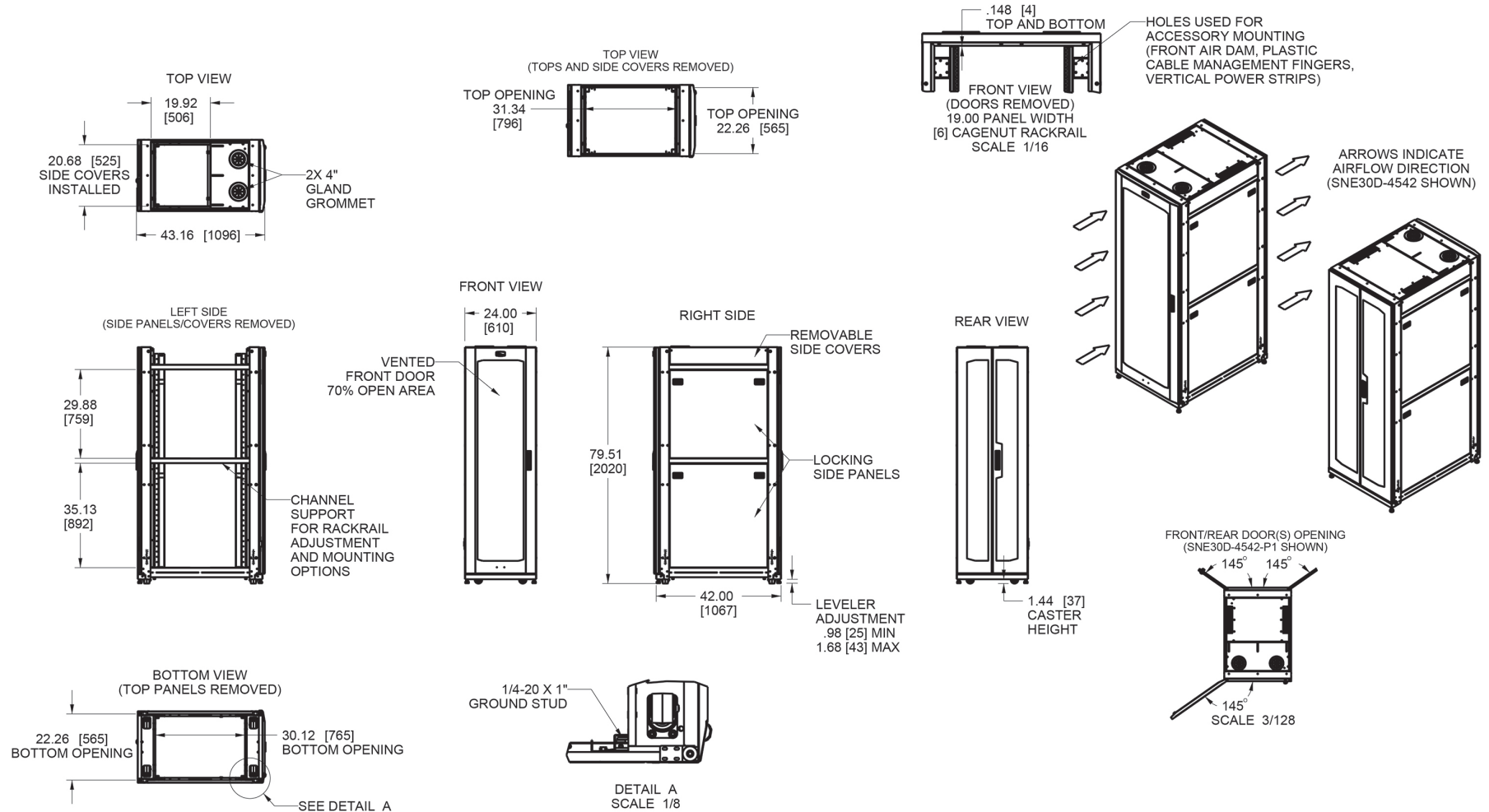
Frame Only with 10-32 Threaded Rackrail	SNE30F-4236	42	36"	10-32 Threaded	Open Frame	No
	SNE30F-4242	42	42"	10-32 Threaded	Open Frame	No
	SNE30F-4248	42	48"	10-32 Threaded	Open Frame	No
	SNE30F-4536	45	36"	10-32 Threaded	Open Frame	No
	SNE30F-4542	45	42"	10-32 Threaded	Open Frame	No
	SNE30F-4548	45	48"	10-32 Threaded	Open Frame	No

Frame Only with Cage Nut Rackrail	SNE30F-CN-4236	42	36"	Cage Nut	Open Frame	No
	SNE30F-CN-4242	42	42"	Cage Nut	Open Frame	No
	SNE30F-CN-4248	42	48"	Cage Nut	Open Frame	No
	SNE30F-CN-4536	45	36"	Cage Nut	Open Frame	No
	SNE30F-CN-4542	45	42"	Cage Nut	Open Frame	No
	SNE30F-CN-4548	45	48"	Cage Nut	Open Frame	No

*The SNE Series Hybrid Pre-Configured enclosure is designed for systems consisting of a mix of analog and digital equipment.

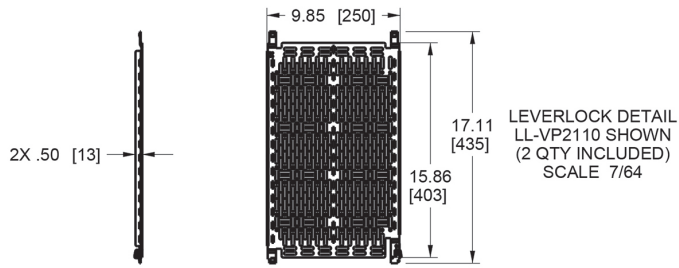
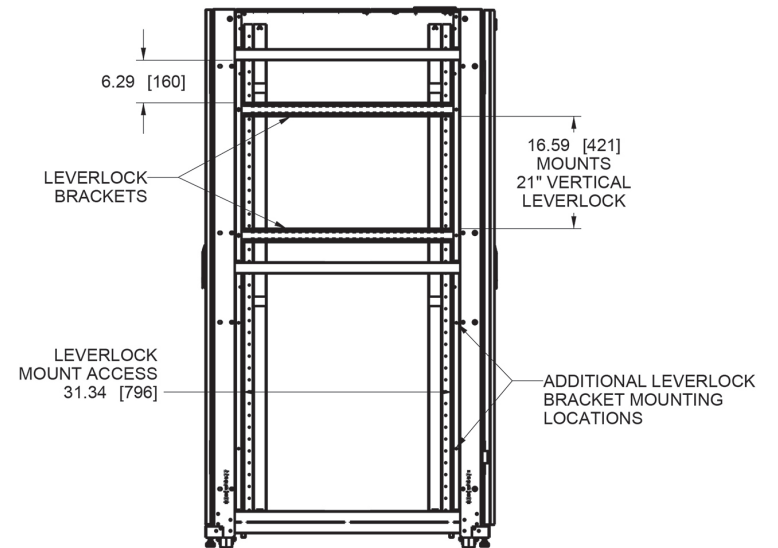
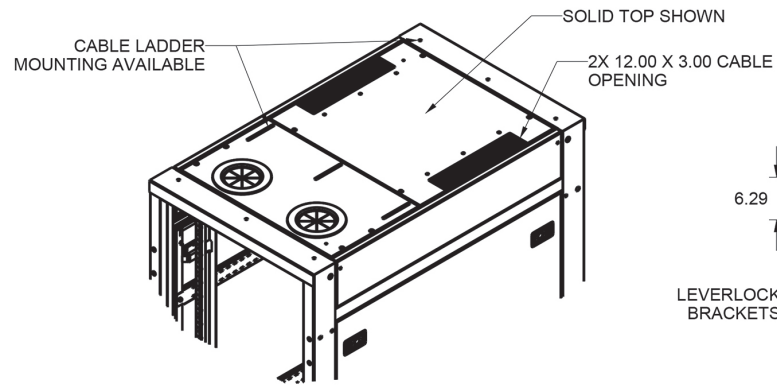
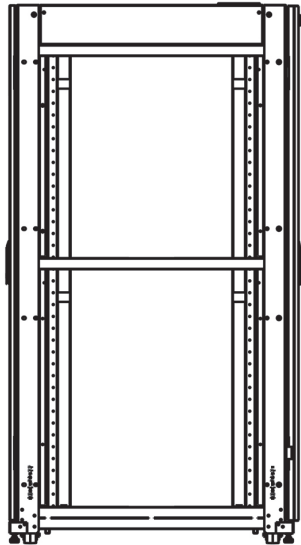
SNE24D-4242-P1

- NOTES:
1. ALL DIMENSIONS SHOWN IN FORMAT: INCHES [MM]
2. FRONT DOOR, REAR DOORS, AND SIDE PANELS ARE KEYED THE SAME.



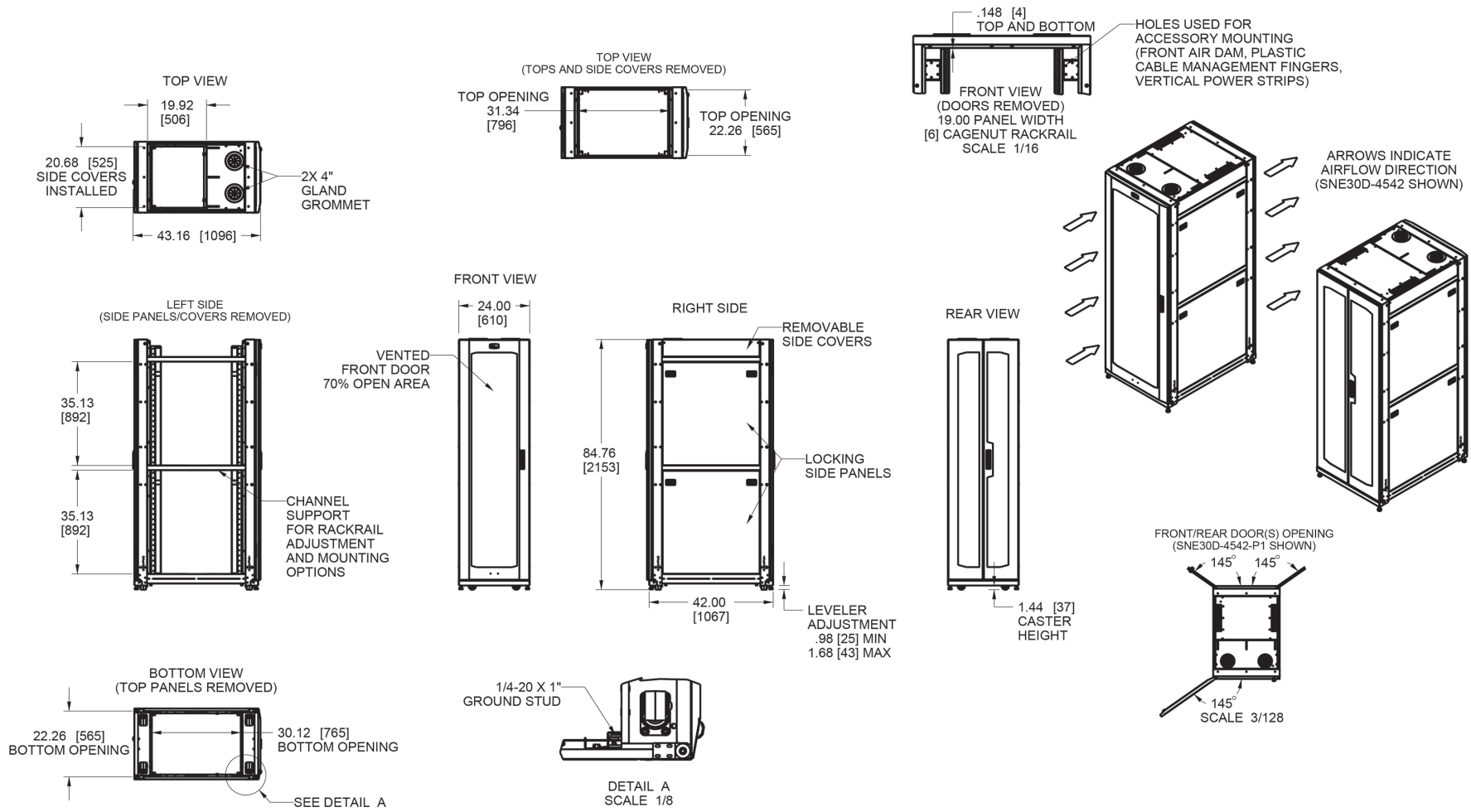
SNE24D-4242-P1

SIDE VIEW
(LEVERLOCK BRACKETS REMOVED)



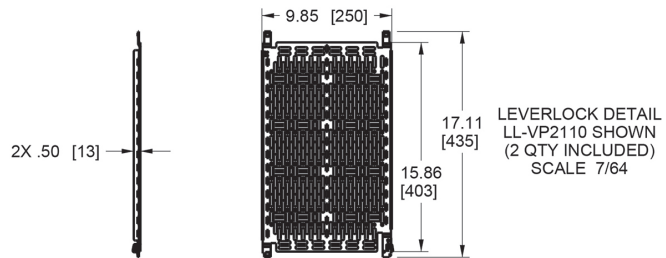
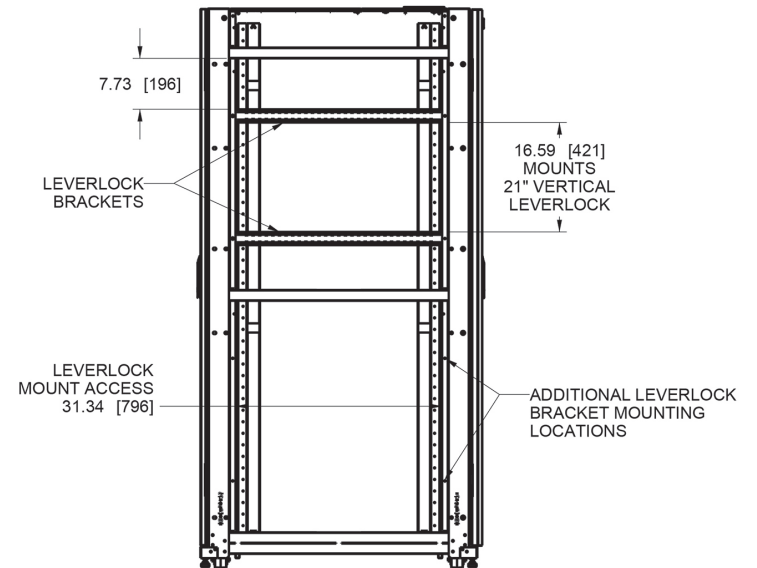
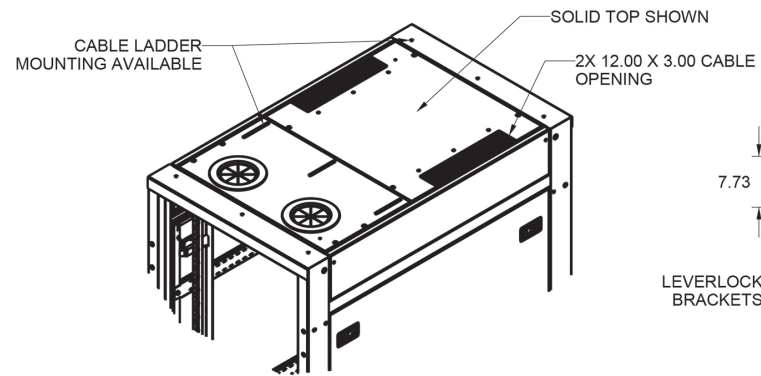
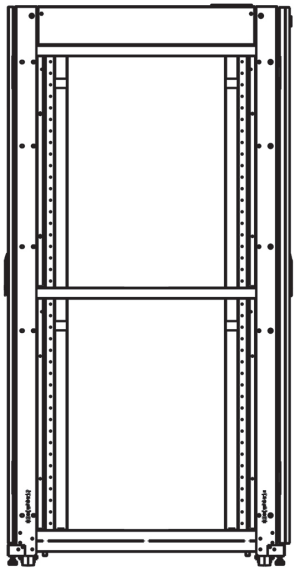
SNE24D-4542-P1

- NOTES:
1. ALL DIMENSIONS SHOWN IN FORMAT: INCHES [MM]
2. FRONT DOOR, REAR DOORS, AND SIDE PANELS ARE KEYPED THE SAME.



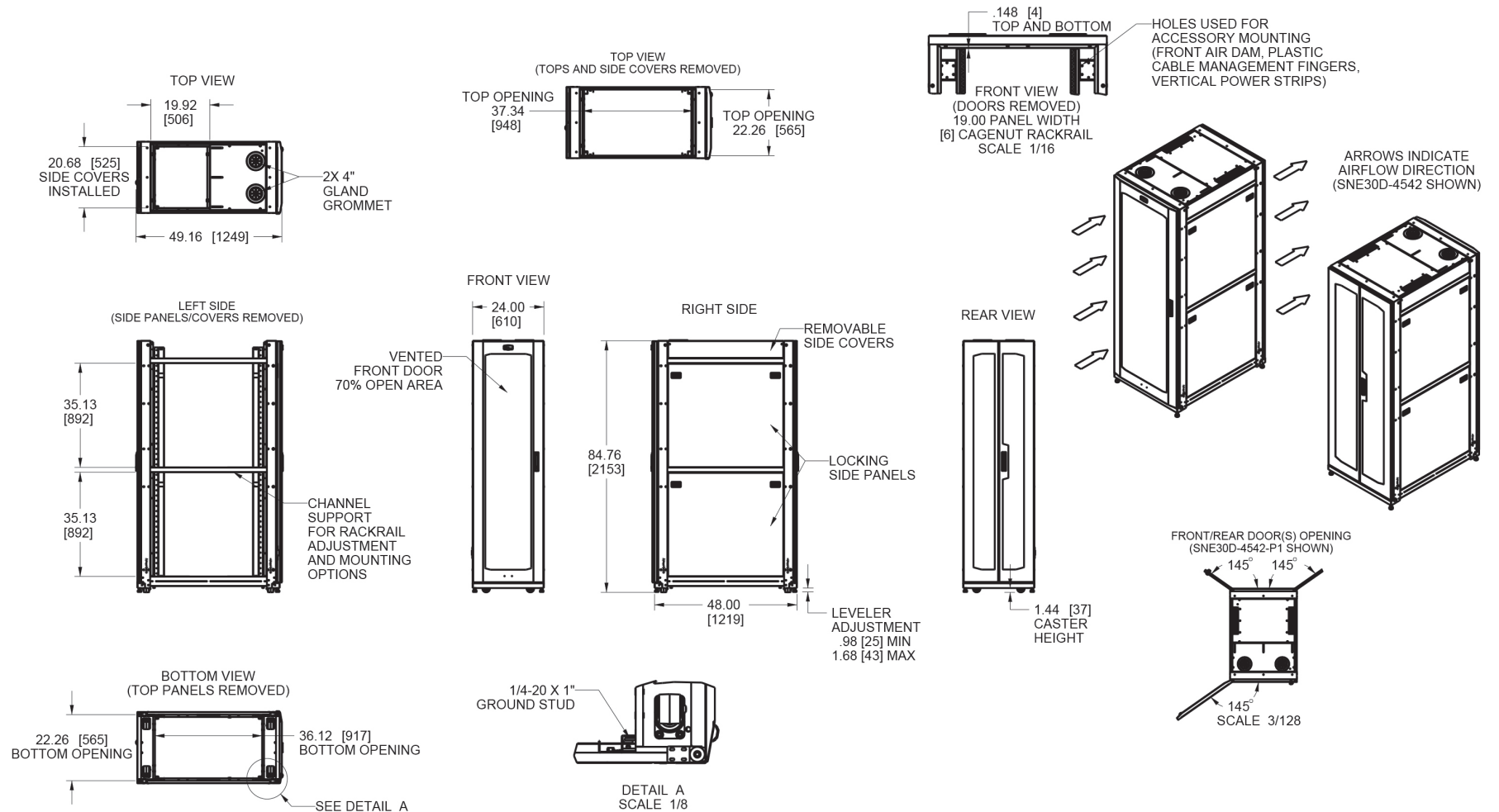
SNE24D-4542-P1

SIDE VIEW
(LEVERLOCK BRACKETS REMOVED)



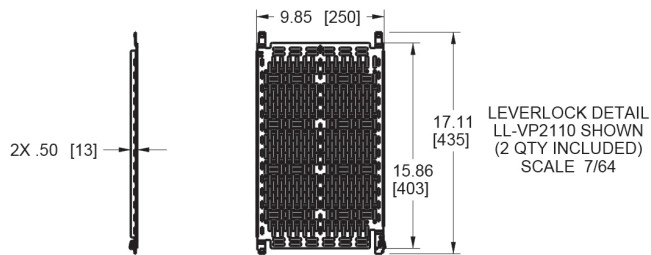
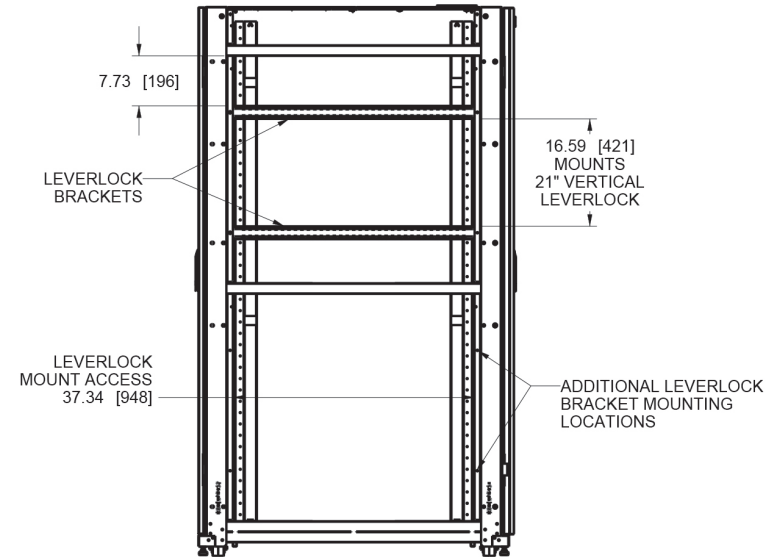
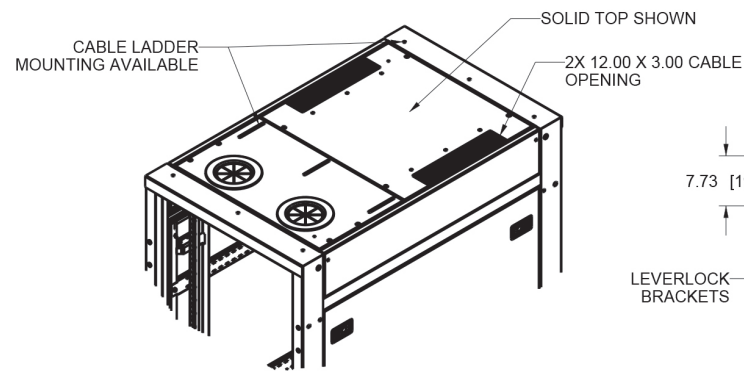
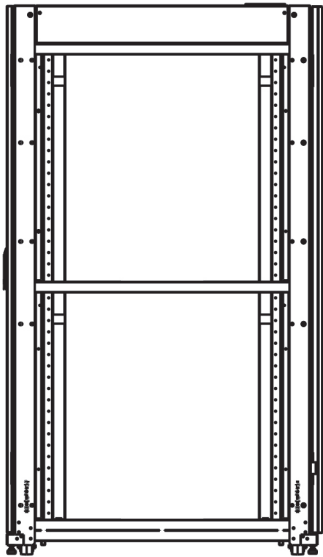
SNE24D-4548-P1

- NOTES:
1. ALL DIMENSIONS SHOWN IN FORMAT: INCHES [MM]
2. FRONT DOOR, REAR DOORS, AND SIDE PANELS ARE KEYED THE SAME.



SNE24D-4548-P1

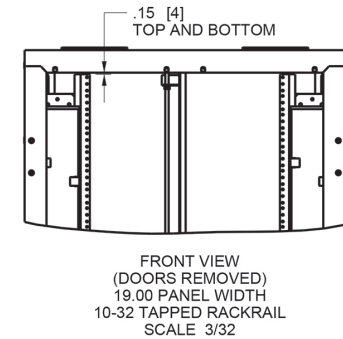
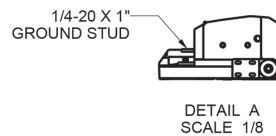
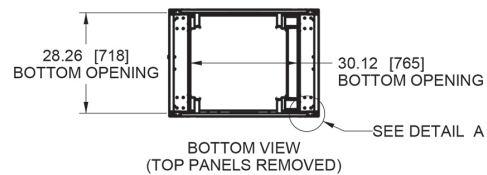
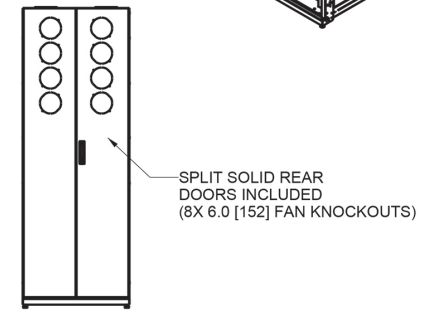
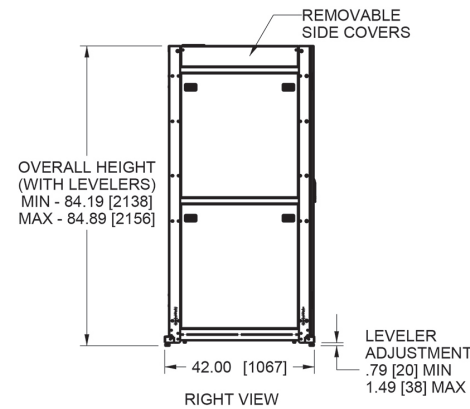
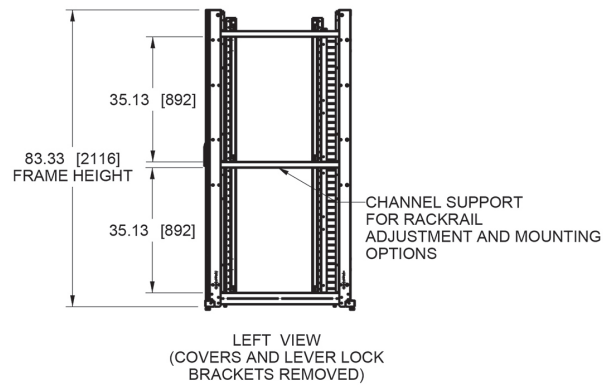
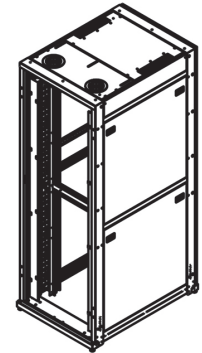
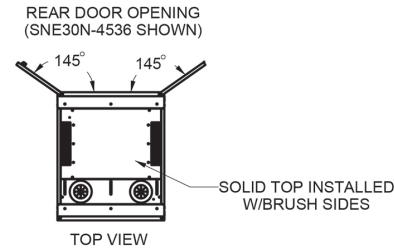
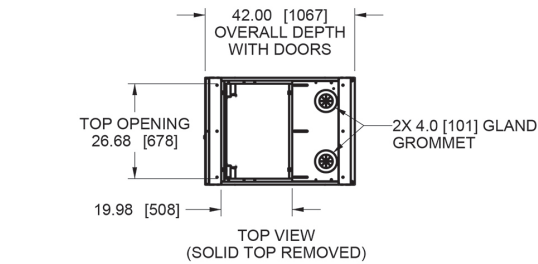
SIDE VIEW
(LEVERLOCK BRACKETS REMOVED)



SNE30N-4542

NOTES:

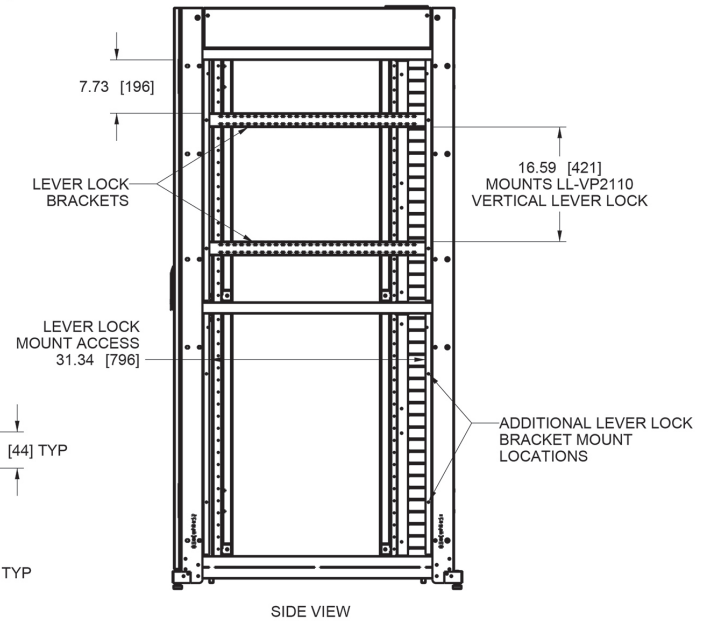
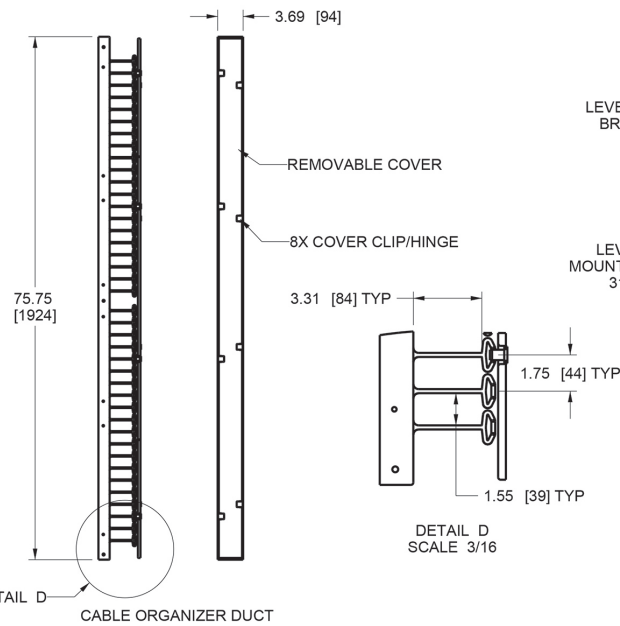
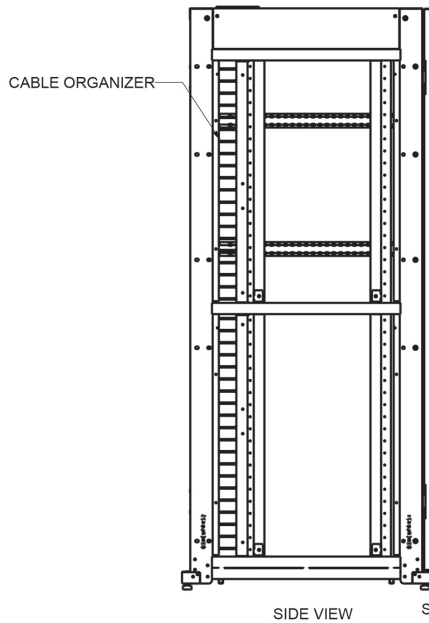
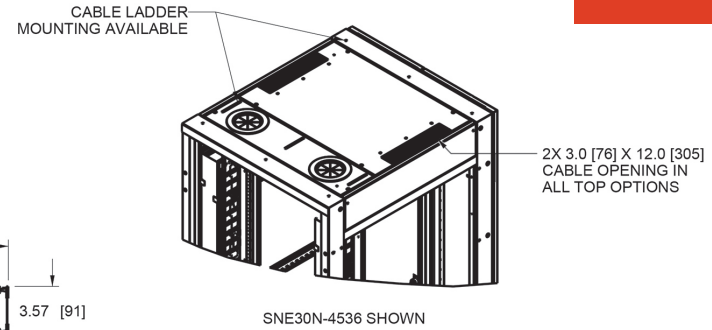
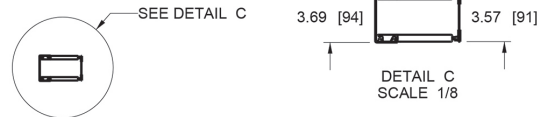
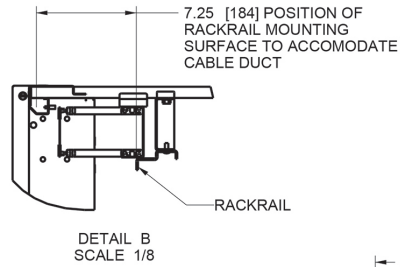
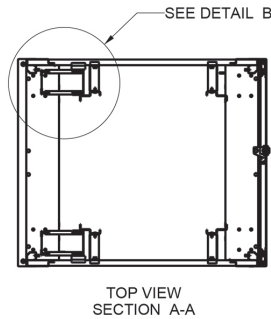
1. REAR DOORS AND SIDE PANELS ARE KEYED THE SAME
2. NETWORK ENCLOSURE AVAILABLE WITHOUT REAR DOORS. SKU IN THE FORMAT SNE30N-45XX-LRD.
3. DIMENSION FORMAT SHOWN: INCHES [MM].



SNE30N-4542

NOTES:

1. CABLE DUCT CAN BE INSTALLED AT EACH INSIDE CORNER OF THE RACK
2. CABLE DUCTS ARE ONLY AVAILABLE FOR 30" WIDE RACKS
3. DIMENSION FORMAT SHOWN: INCHES [MM].



LEGRAND | AV COMMERCIAL BRANDS
C2G | Chief | Da-Lite | Luxul | Middle Atlantic | Vaddio | Wiremold

WHAT GREAT SYSTEMS ARE BUILT ON™ | legrandav.com

USA 800.266.7225 av.middleatlantic.support@legrand.com CANADA 888.766.9770 av.middleatlantic.support@legrand.com

©2022 Legrand AV Inc. 210005 Rev B 02/22 Middle Atlantic is a registered trademark of Legrand AV Inc. All other brand names or marks are used for identification purposes and are trademarks of their respective owners. All patents are protected under existing designations. Other patents pending.