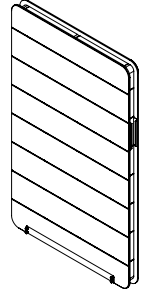
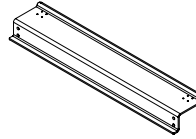


x1 Cooee Tool Wall

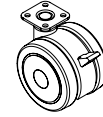
CONTENTS FOR Cooee Tool Wall



x1
Tool Wall



x2
Metal Base
Plates



x4
Lockable
Castors



x16
M4 Countersunk
Bolts



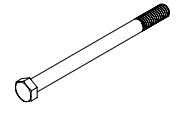
x4
3/8" Flange Nut



x16
M4 Flange Nut



x8
3/8" Washer



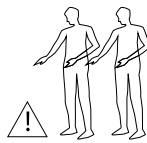
x4
3/8" 5" Long
Hex Bolt

0

CAUTION

- Clear open space for install
- May need need a sturdy table.
- + 65lbs lift required

Tools you will need:



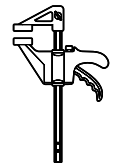
Two Person
Install



7mm Spanner



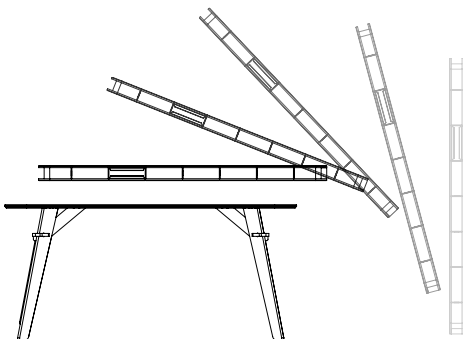
15/16" Spanner



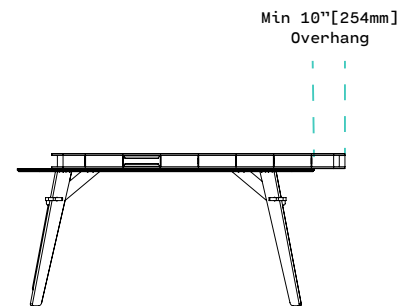
Quick grip

1

2 Person Lift

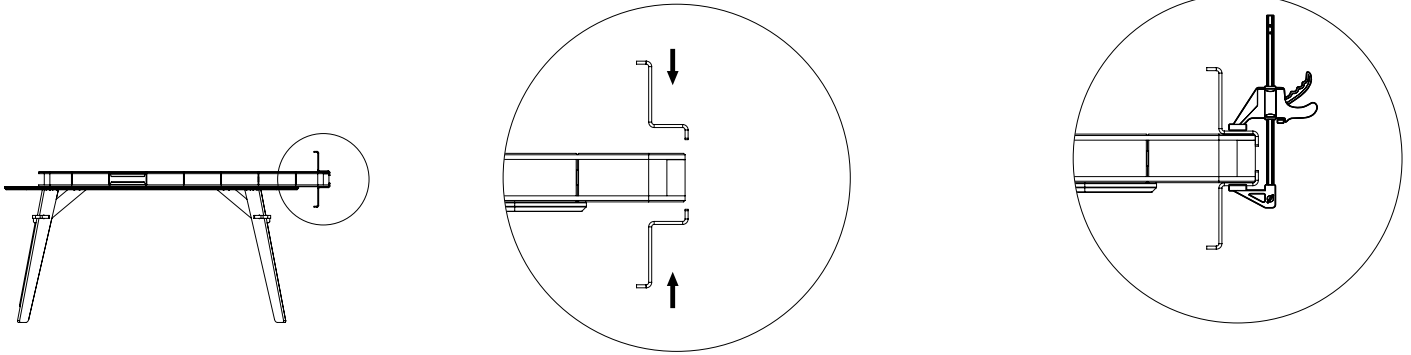


a.
Lay Tool wall on table.



b.
Hang bottom end off the table
to allow for base assembly.

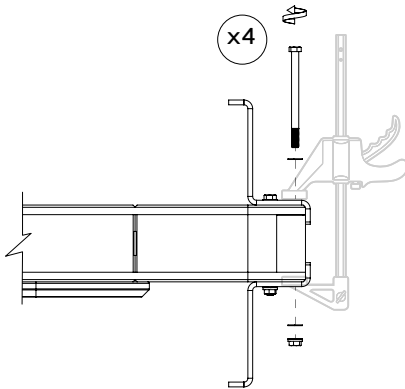
2



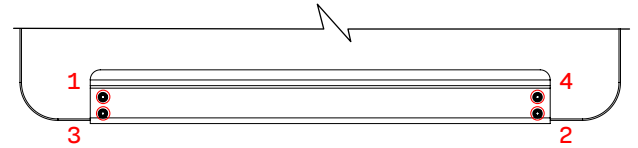
a.
Lay metal bases on tool wall.

b.
Clamp with quick grip.
Ensure Holes are aligned.

3



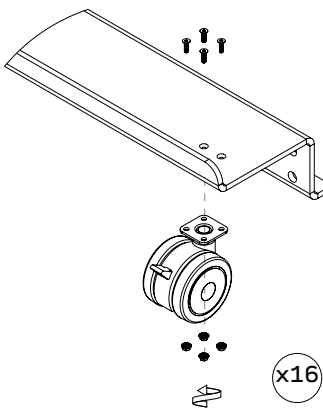
a.
Insert 3/8 bolt, Washer and Flange Nut.
Ensure all bolts are in the same direction



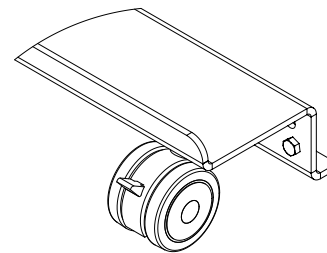
⬡ Torque= 45Ft-Lb

b.
Clamp with quick grip. Tighten bolts in order and repeat to prevent one bolt tighter than the other.
Ensure Hole's are aligned.

4



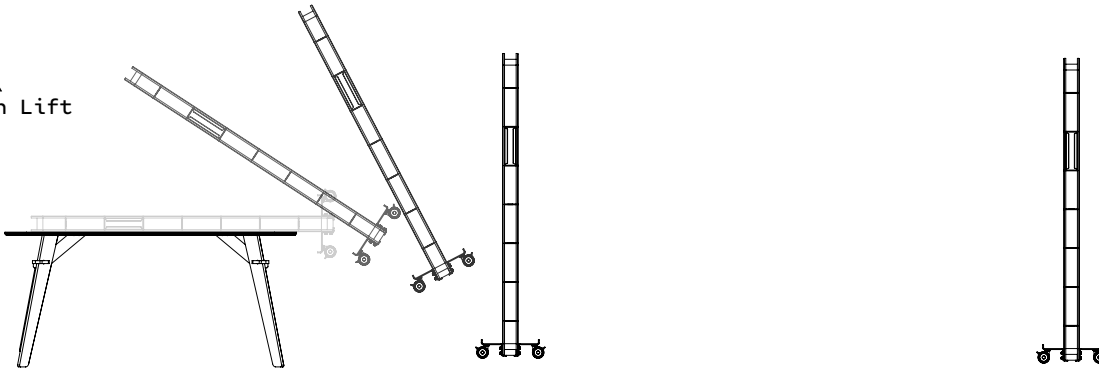
a.
Insert countersunk bolts, castors and M4 Flange nuts then tighten with 7mm Spanner.
Repeat for all bolts



b.
Ensure all bolts and castor's are secure

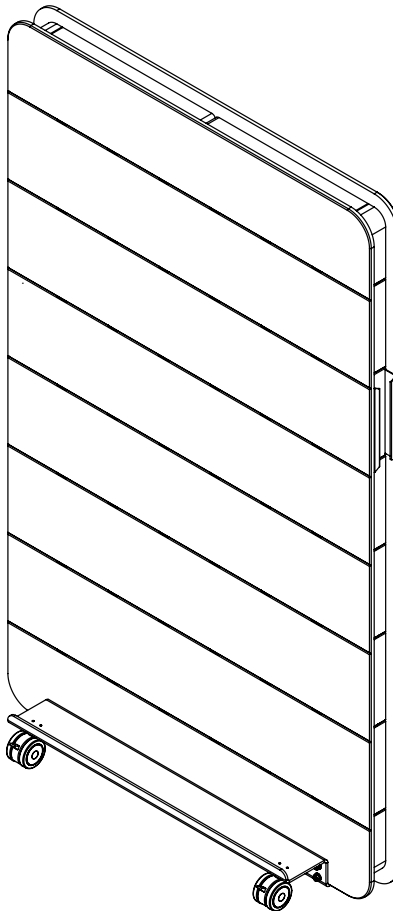
5

⚠
2 Person Lift



a.
Lift Tool Wall onto the ground.

b.
Stand up and ensure Tool is able to move and castors can be locked.



x1 Assembled
Cooee Tool Wall