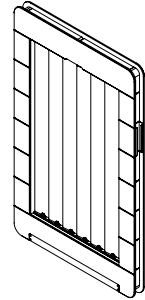
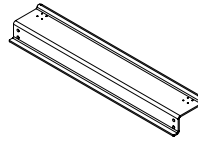


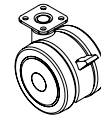
CONTENTS FOR Cooee Louver Wall



x1
Louver Wall



x2
Metal Base
Plates



x4
Lockable
Castors



x16
M4 Countersunk
Bolts



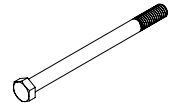
x4
3/8" Flange Nut



x16
M4
Flange Nut



x8
3/8" Washer



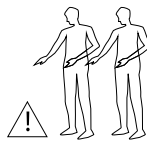
x4
3/8" 5" Long
Hex Bolt

x1 Cooee Louver Wall

CAUTION

- Clear open space for install
- May need need a sturdy table.
- + 65lbs lift required

Tools you will need:



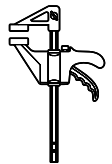
Two Person
Install



7mm Spanner

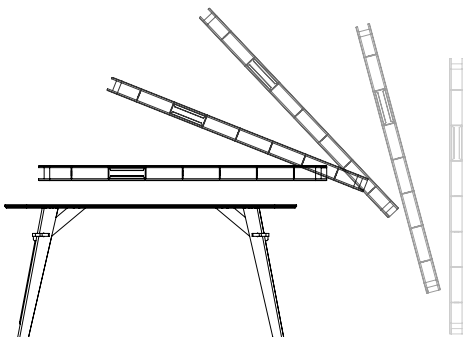


15/16" Spanner



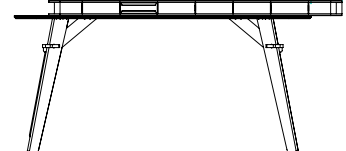
Quick grip

1



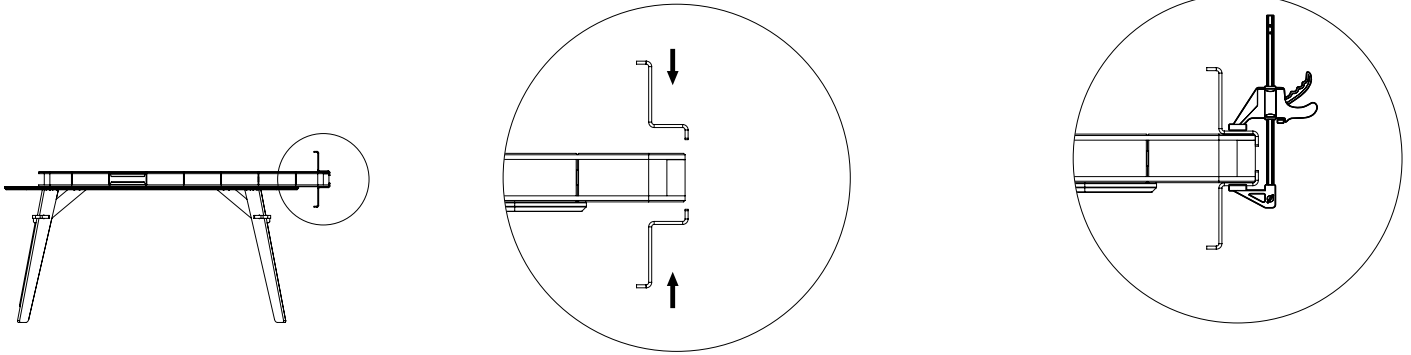
a.
Lay Louver wall on table.

Min 10" [254mm]
Overhang



b.
Hang bottom end off the table
to allow for base assembly.

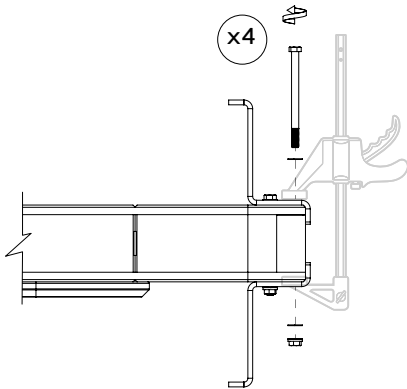
2



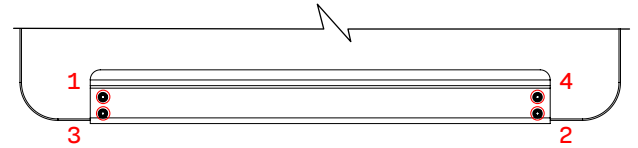
a.
Lay metal bases on Louver wall.

b.
Clamp with quick grip.
Ensure Holes are aligned.

3



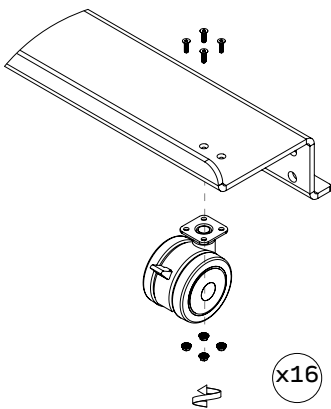
a.
Insert 3/8 bolt, Washer and Flange Nut.
Ensure all bolts are in the same direction



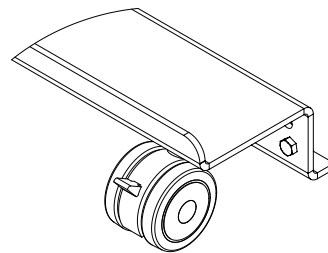
⬡ Torque= 45Ft-Lb

b.
Clamp with quick grip. Tighten bolts in order and repeat -to prevent one bolt tighter than the other.
Ensure Hole's are aligned.

4



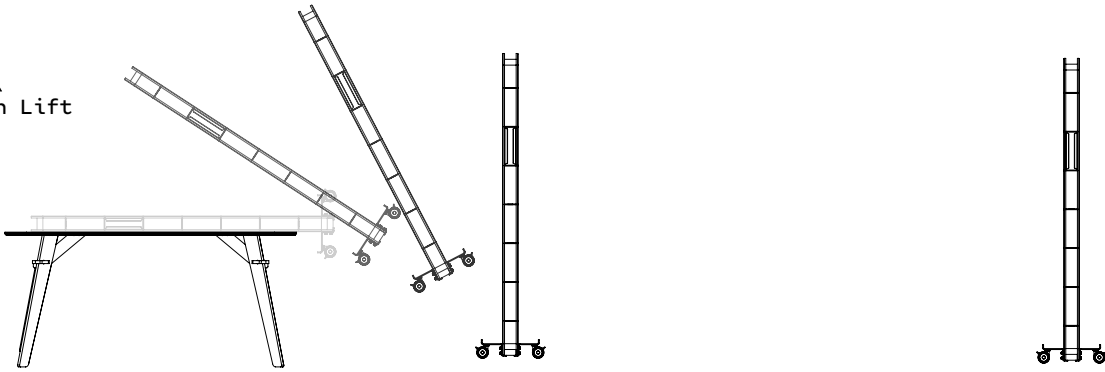
a.
Insert countersunk bolts, castors and M4 Flange nuts then tighten with 7mm Spanner.
Repeat for all bolts



b.
Ensure all bolts and castor's are secure

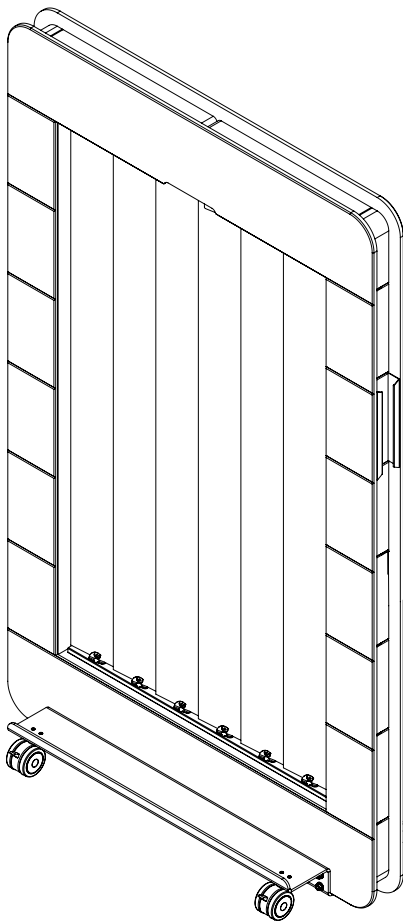
5

⚠
2 Person Lift

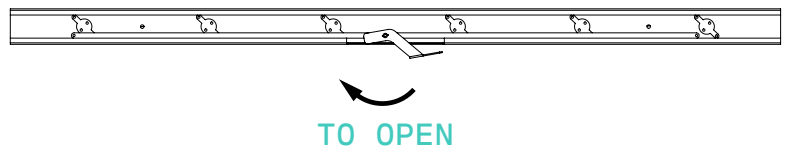


a.
Lift Louver Wall onto the ground.

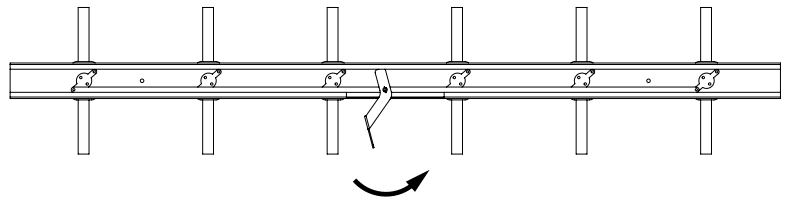
b.
Stand up and ensure Louver Wall is able to move and castors can be locked.



x1 Assembled
Cooee Louver Wall



TO OPEN



TO CLOSE