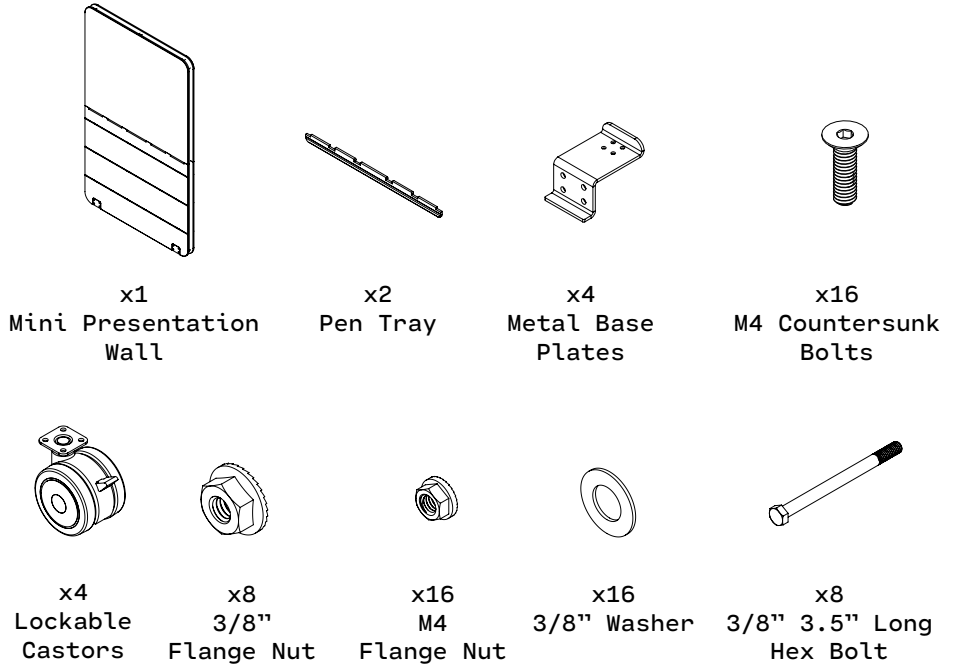


x1 Mini Presentation Wall

CONTENTS FOR Cooee Tool Wall

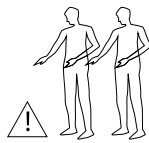


0

CAUTION

- Clear open space for install
- May need need a sturdy table.
- + 65lbs lift required

Tools you will need:



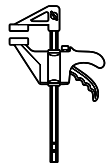
Two Person Install



7mm Spanner



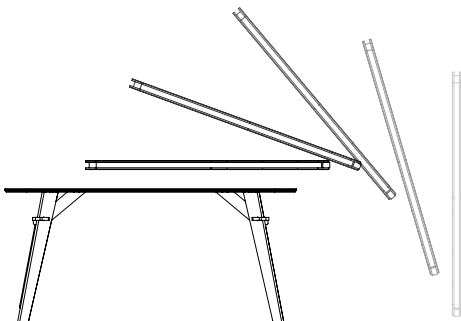
15/16" Spanner



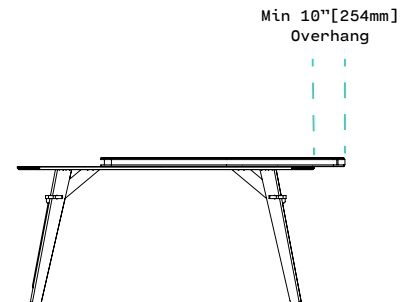
Quick grip

1

2 Person Lift

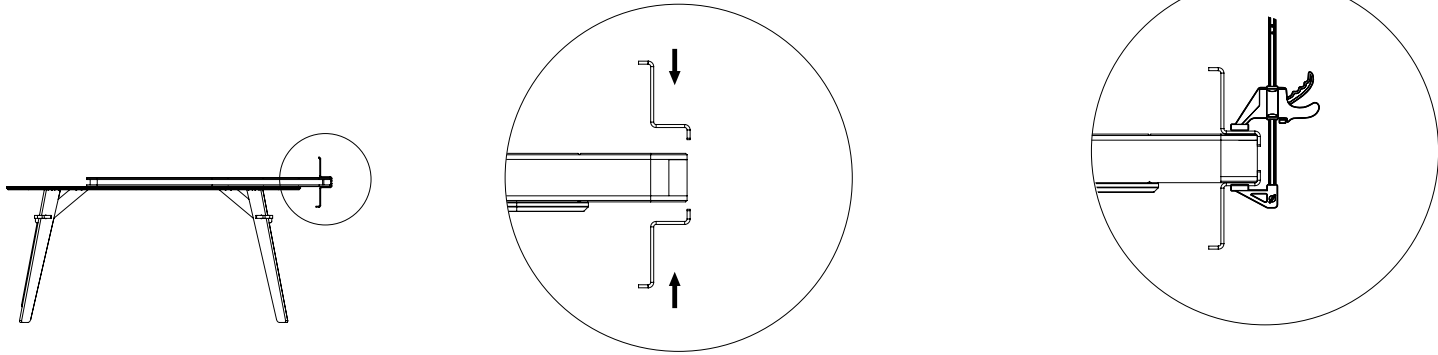


a. Lay Mini Presentation Wall on table.



b. Hang bottom end off the table to allow for base assembly.

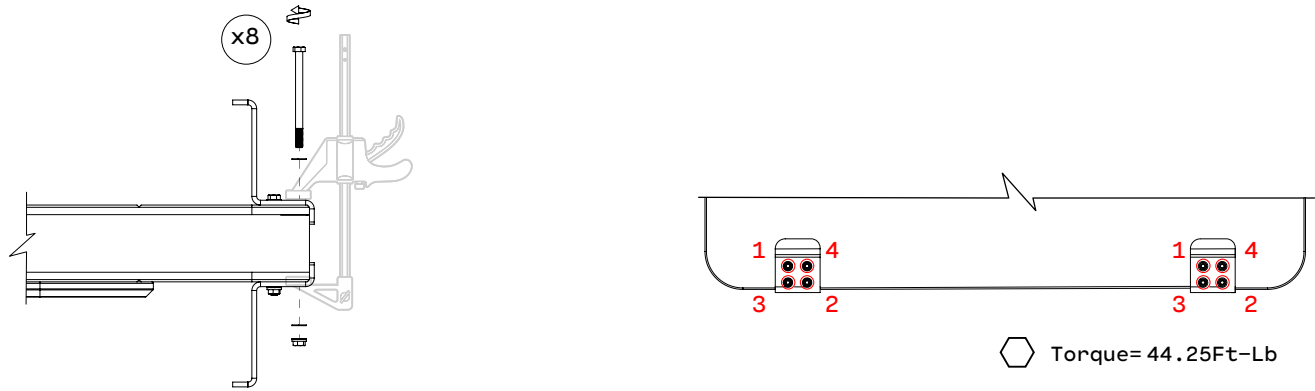
2



a.
Lay metal base's on Mini Presentation Wall.

b.
Clamp with quick grip.
Ensure Hole's are aligned.

3



a.
Insert 3/8 bolt, Washer and Flange Nut.
Ensure all bolts are in the same direction

b.
Clamp with quick grip. Tighten bolts in order and repeat -to prevent one bolt tighter than the other.
Ensure Hole's are aligned.

⬡ Torque= 44.25Ft-Lb

4

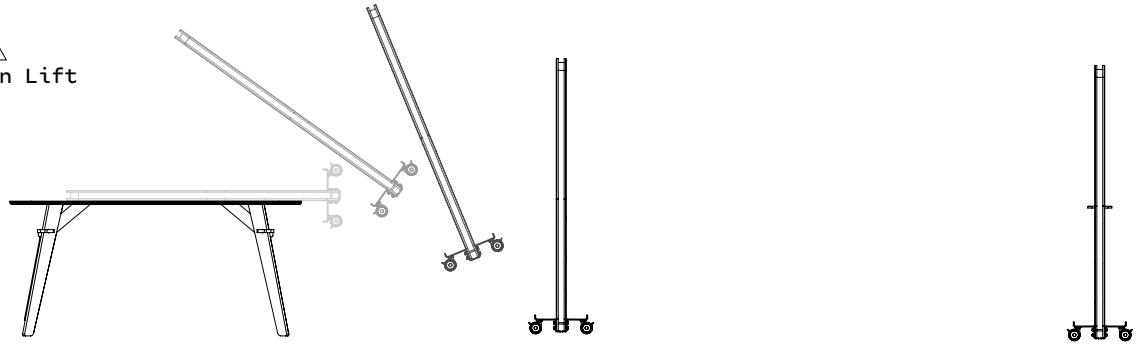


a.
Insert countersunk bolts, castors and M4 Flange nuts then tighten with 7mm Spanner.
Repeat for all bolts

b.
Ensure all bolts and castor's are secure

5

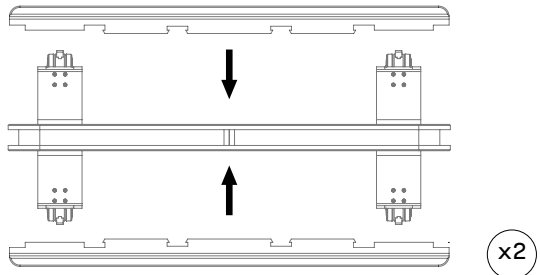
 2 Person Lift



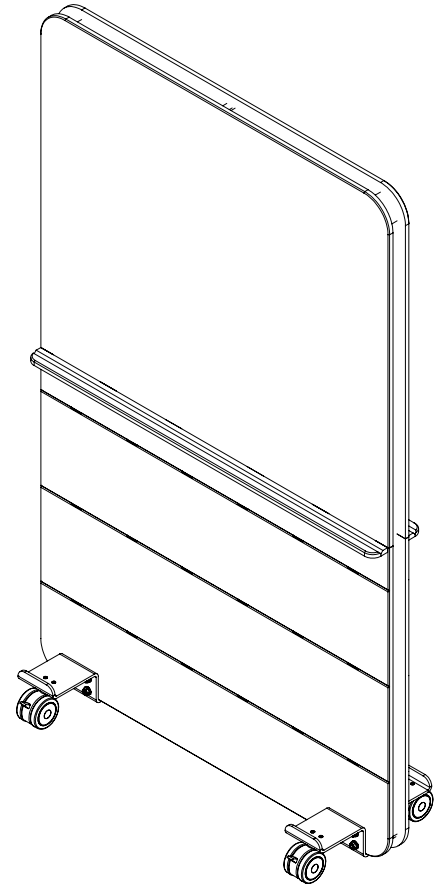
a.
Lift Mini Presentation Wall onto the ground.

b.
Stand up and ensure Mini Presentation wall is able to move and castors can be locked.

6



a.
Insert Pen Tray Acoustic PET



x1 Assembled
Mini Presentation Wall