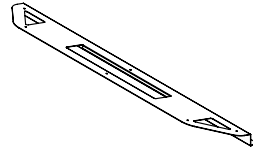
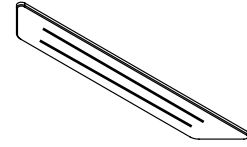


x1 Hood

**CONTENTS FOR Hood**



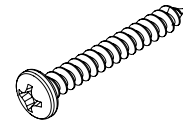
x1  
Metal Hood Bracket



x1  
Acoustic PET Hood



x6  
Button Head Screw  
(3/8in Long)

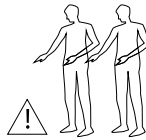


x4  
Button Head Screw  
(1.2in Long)

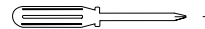
**! CAUTION**

- Clear open space for install
- Ladder or elevated working area needed.
- 10lbs Max lift required

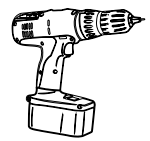
**Tools you will need:**



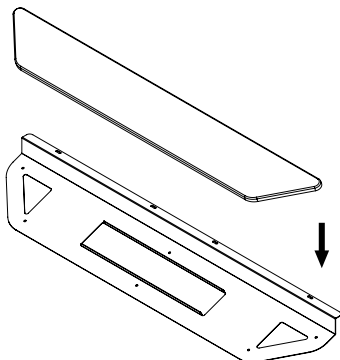
Two Person  
Install



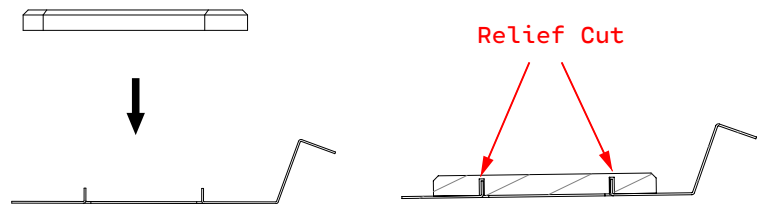
Phillips Head  
Screw Driver



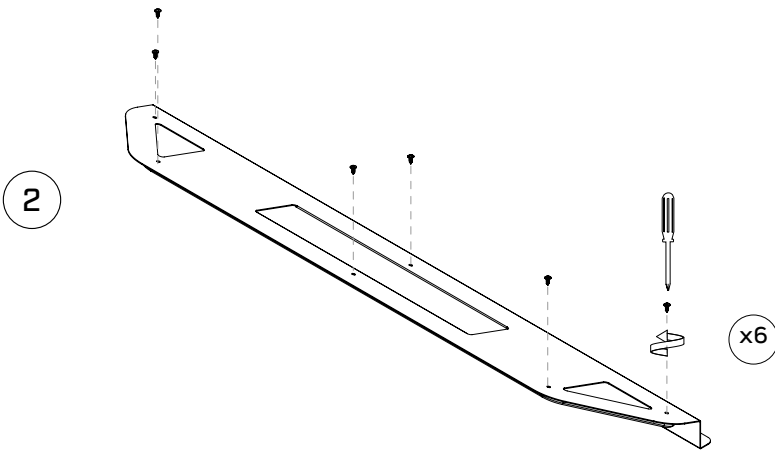
Electric Drill



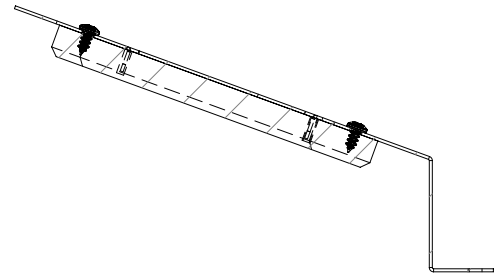
**a.**  
Lay Metal component upside down.



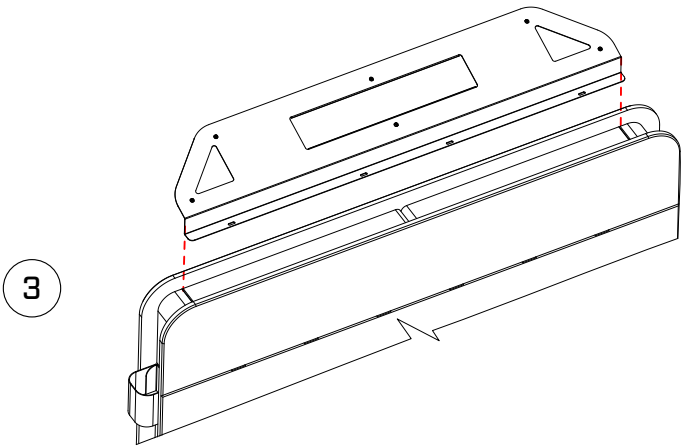
**b.**  
Insert Acoustic PET down onto the metal bracket. Ensure Acoustic PET located in position with the relief section and metal flange.



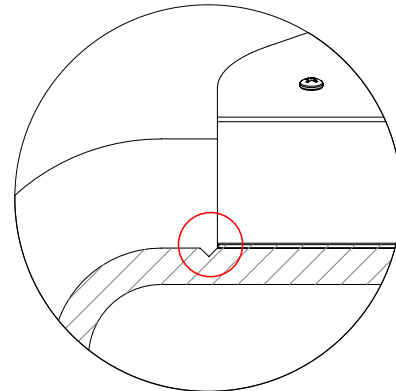
**a.**  
Install the 3/8in long button head screws from the rear. No need to drill, a phillips head screw driver will be ok.



**b.**  
Make sure screws are not protruding to the surface of the Acoustic PET. Ensure all screws are tight and flush.

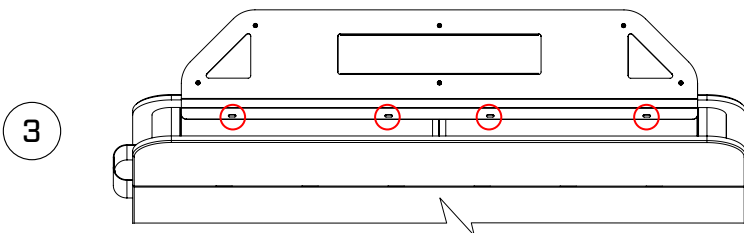


**a.**  
Ensure Hood is facing the correct direction and is centered on the Wall.

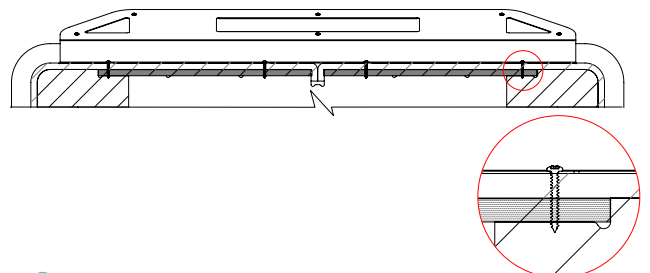


**b.**  
Align Metal base with a etch on the top of the wall. See image above for reference.

⚠ 2 Person Install

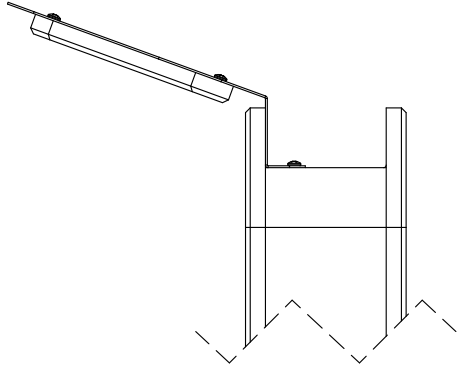


**a.**  
Once aligned, find the 4x mounting oval holes. One person to hold and the other to screw in the supplied 1.2in screws.

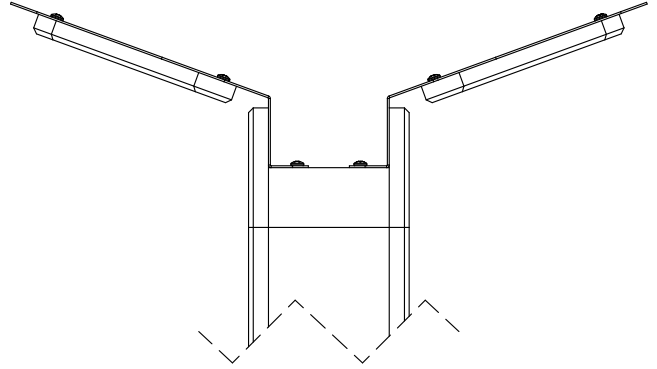


**a.**  
Use your drill and screw the 1.2in Button head screws in. Make sure you feel it hit the internal wood frame.

4

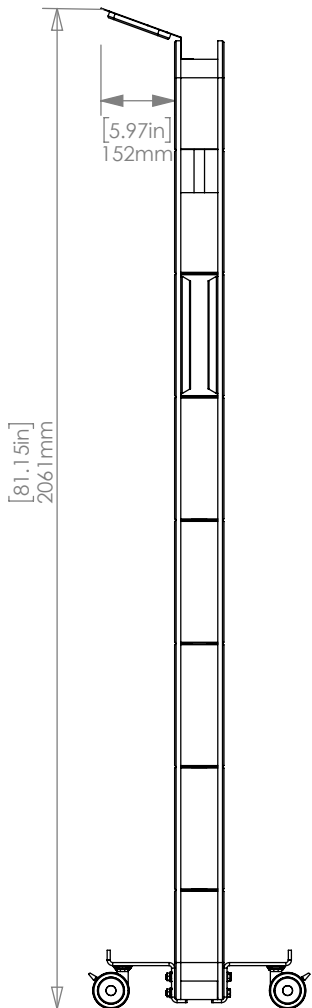


1x Hood Installed



2x Hood Installed

5



x1 Assembled & Installed Hood

**Note.**

Overall height has changed now. Make sure the Hood to the fitted Coeee Wall can move freely in your desired area.