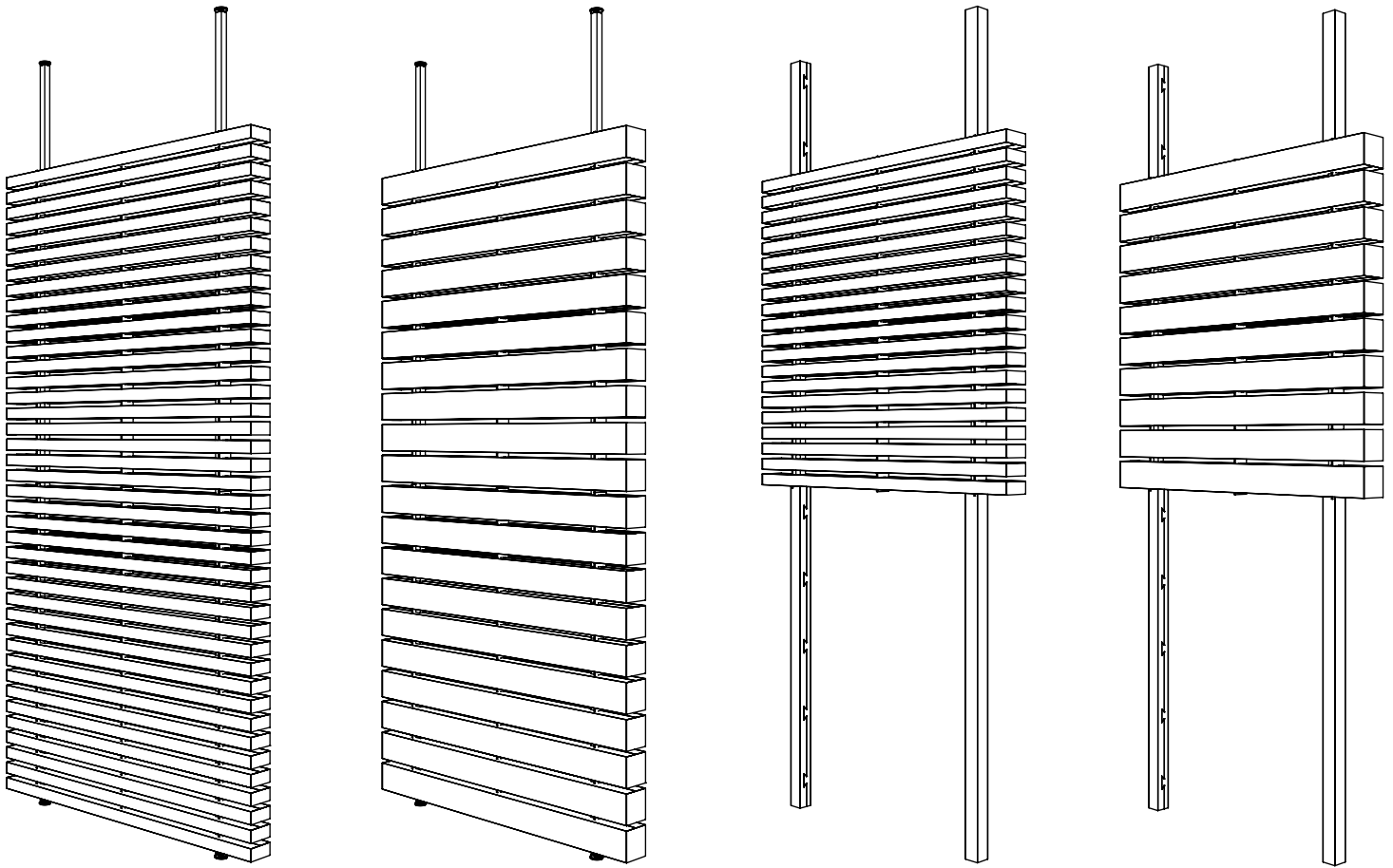


ZINTRA STICKS

DOUBLE SIDED LANDSCAPE - NARROW & WIDE
FULL & HALF BUNLE
ASSEMBLY INSTALLATION INSTRUCTIONS



ZINTRA STICKS

DOUBLE SIDED LANDSCAPE - NARROW & WIDE

FULL & HALF BUNDLE

ASSEMBLY INSTALLATION INSTRUCTIONS

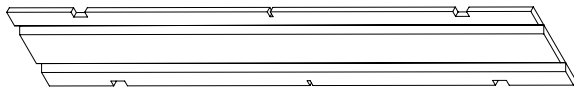
PARTS AND HARDWARE

FOR A TYPICAL ASSEMBLY - FULL / HALF BUNDLE

ZINTRA STICKS

FULL BUNDLE - (40) WIDE OR (80) NARROW

HALF BUNDLE - (20) WIDE OR (40) NARROW



ZINTRA TUBE COVER

FULL BUNDLE - NONE

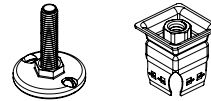
HALF BUNDLE - (4)



VERTICAL ALUMINIUM TUBE - (2)



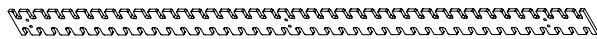
LEVELING FEET SET - (4)



ACRYLIC COMB

FULL BUNDLE - (6)

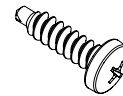
HALF BUNDLE - (3)



SELF DRILLING SCREW

FULL BUNDLE - (24)

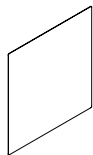
HALF BUNDLE - (12)



END CAPS

FULL BUNDLE - (40) WIDE OR (80) NARROW

HALF BUNDLE - (20) WIDE OR (40) NARROW



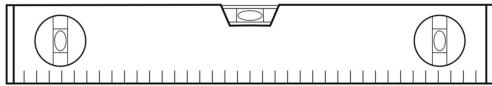
ZINTRA STICKS

DOUBLE SIDED LANDSCAPE - NARROW & WIDE
FULL & HALF BUNDLE
ASSEMBLY INSTALLATION INSTRUCTIONS

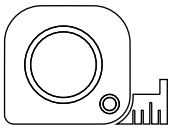
YOU WILL NEED

FOR A TYPICAL ASSEMBLY - FULL SET / HALF BUNDLE

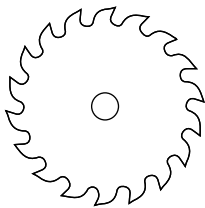
SPIRIT LEVEL



TYPE MEASURE



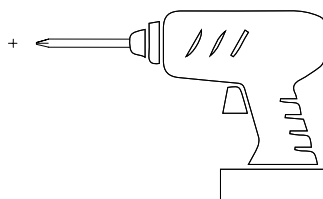
DROP SAW WITH SUITABLE BLADE FOR ALUMINIUM CUTTING



RUBBER HAMMER



CORDLESS SCREWDRIVER (PHILLIPS BIT)



ZINTRA STICKS

DOUBLE SIDED LANDSCAPE - NARROW & WIDE

FULL & HALF BUNDLE

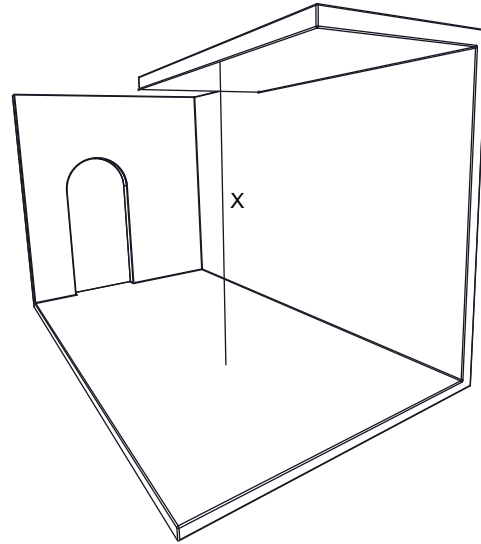
ASSEMBLY INSTALLATION INSTRUCTIONS

STEP 1

MEASURE THE HEIGHT [X] OF THE INSTALL.

FOR SAFE AND SECURE INSTALL X CAN NOT EXCEED 2921mm [115"]

IF NEEDED CUT THE VERTICAL ALUMINIUM TUBE TO SUIT

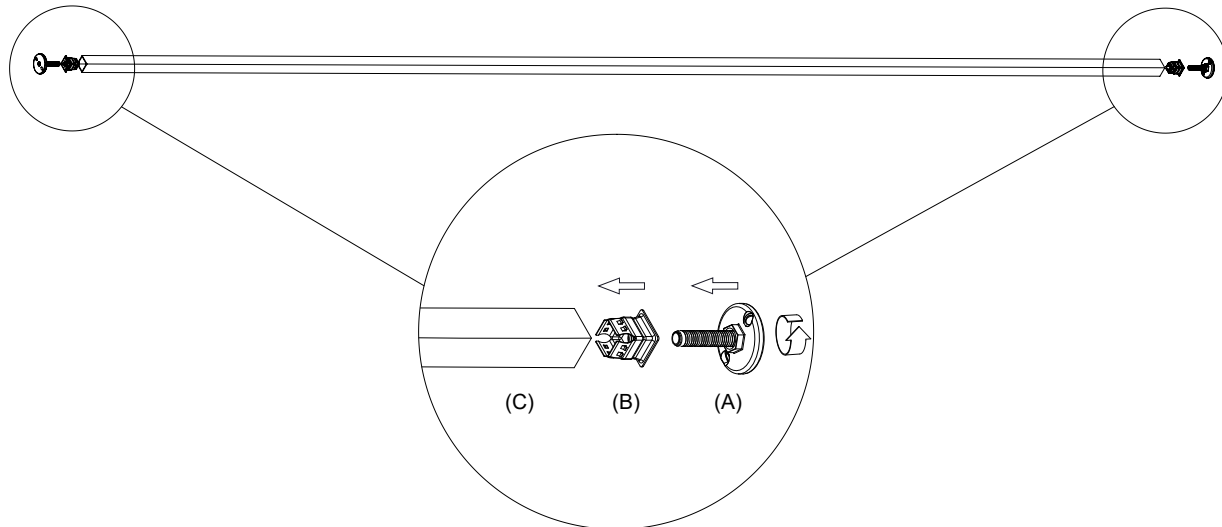


STEP 2

LEVELING FEET SET INSTALL



INSERT PARTS (B) INTO VERTICAL ALUMINIUM TUBE (C) WITH A HELP OF RUBBER HAMMER.
SCREW IN ADJUSTABLE FEET (A) TILL THE END.



ZINTRA STICKS

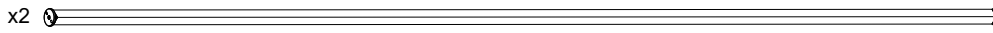
DOUBLE SIDED LANDSCAPE - NARROW & WIDE

FULL & HALF BUNDLE

ASSEMBLY INSTALLATION INSTRUCTIONS

STEP 3

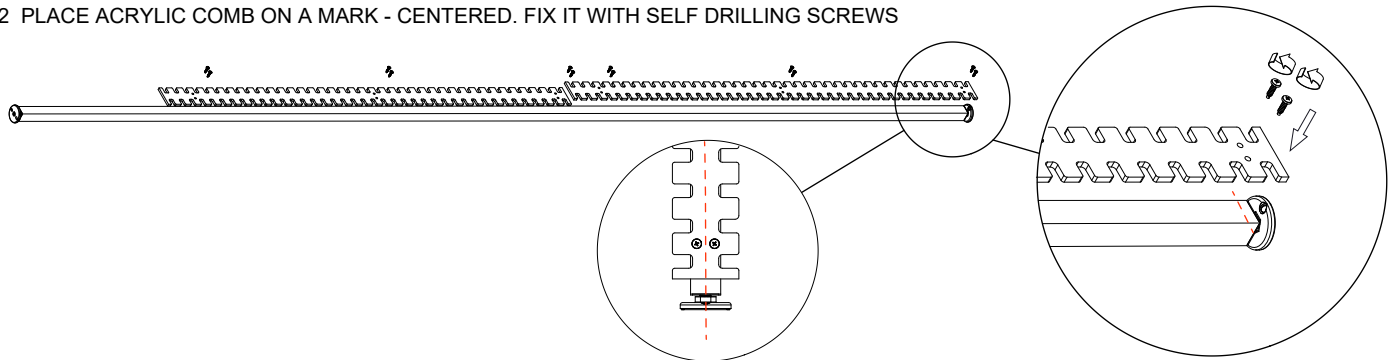
ACRYLIC COMB INSTALL - FULL BUNDLE



3.1 MARK PREFERRED BEGINNING POINT

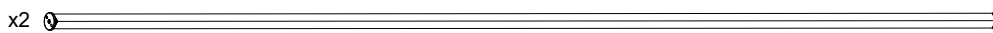


3.2 PLACE ACRYLIC COMB ON A MARK - CENTERED. FIX IT WITH SELF DRILLING SCREWS

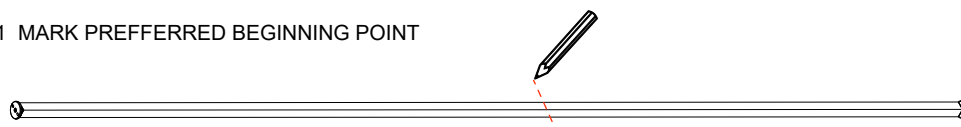


STEP 3

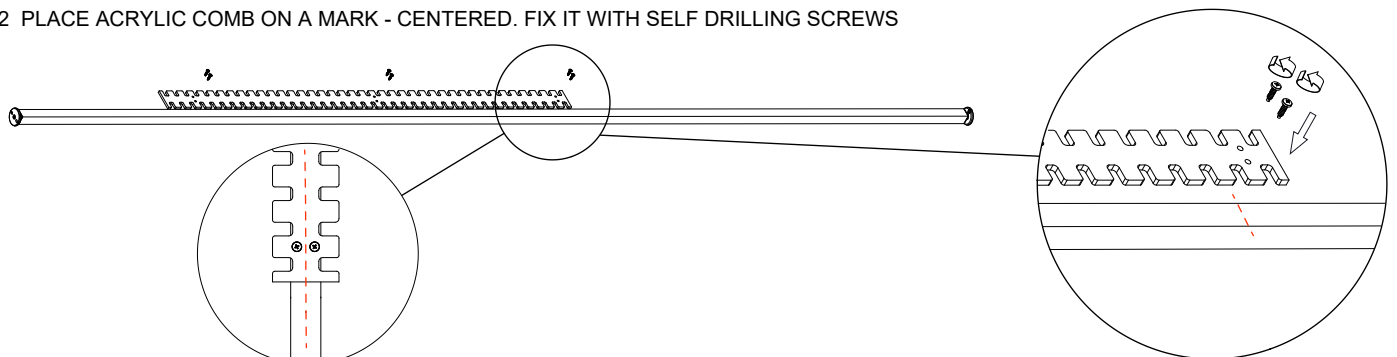
ACRYLIC COMB INSTALL - HALF BUNDLE



3.1 MARK PREFERRED BEGINNING POINT



3.2 PLACE ACRYLIC COMB ON A MARK - CENTERED. FIX IT WITH SELF DRILLING SCREWS



ZINTRA STICKS

DOUBLE SIDED LANDSCAPE - NARROW & WIDE

FULL & HALF VERSIONS

ASSEMBLY INSTALLATION INSTRUCTIONS

STEP 4

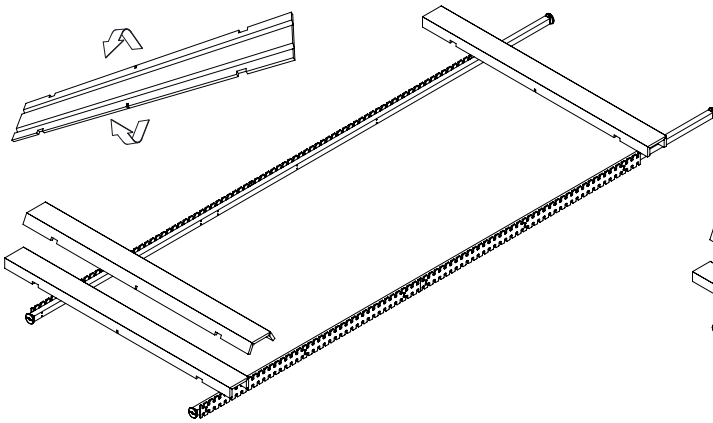
ZINTRA STICKS INSTALL - FULL BUNDLE

ZINTRA STICKS - (20) WIDE OR (40) NARROW

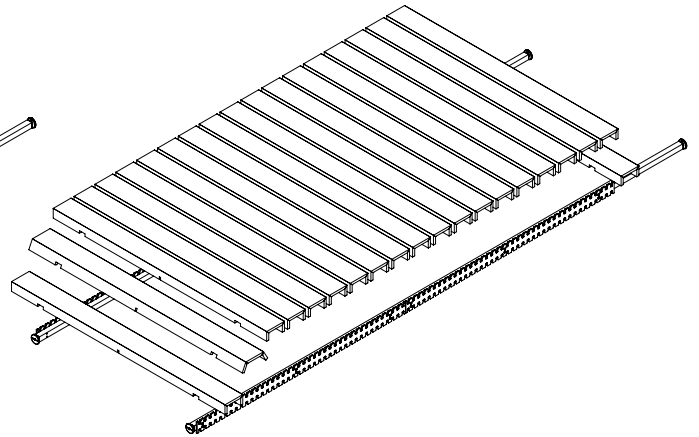


4.1 START INSTALL FROM THE FIRST AND THE LAST STICK

FOLD ZINTRA STICKS



4.2 FINISH INSTALLING REST OF THE STICKS



STEP 4

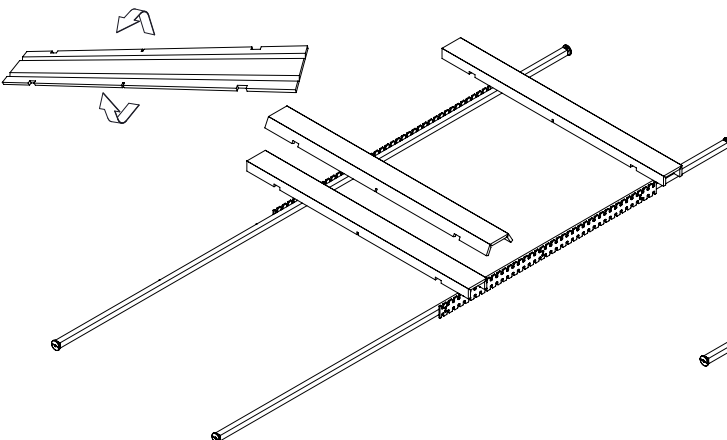
ZINTRA STICKS INSTALL - HALF BUNDLE

ZINTRA STICKS - (10) WIDE OR (20) NARROW

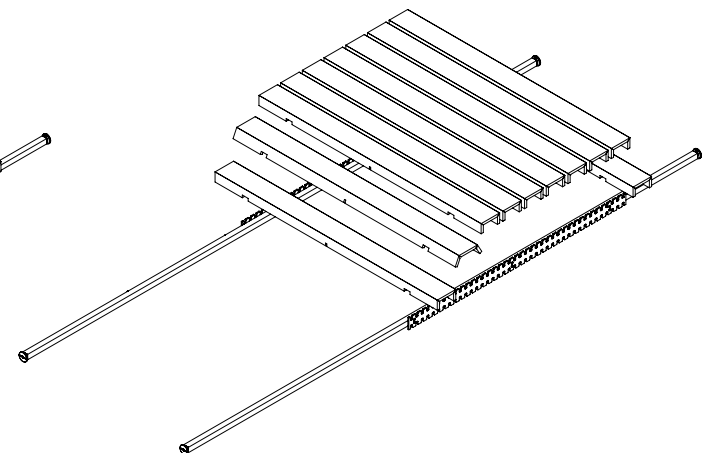


4.1 START INSTALL FROM THE FIRST AND THE LAST STICK

FOLD ZINTRA STICKS



4.2 FINISH INSTALLING REST OF THE STICKS



ZINTRA STICKS

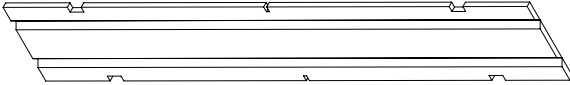
DOUBLE SIDED LANDSCAPE - NARROW & WIDE

FULL & HALF VERSIONS

ASSEMBLY INSTALLATION INSTRUCTIONS

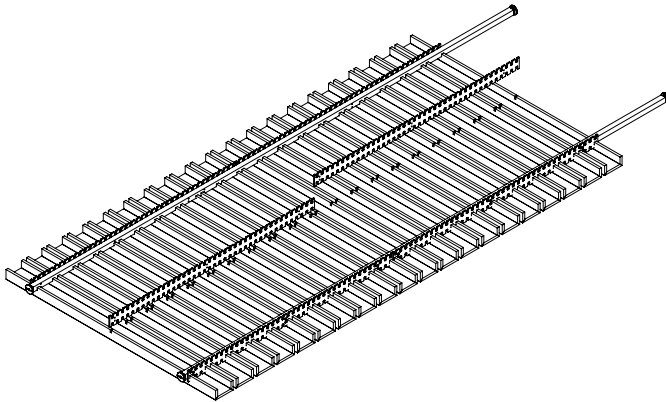
STEP 5

ZINTRA STICKS & ACRYLIC COMB INSTALL - FULL BUNDLE
ZINTRA STICKS - (20) WIDE OR (40) NARROW

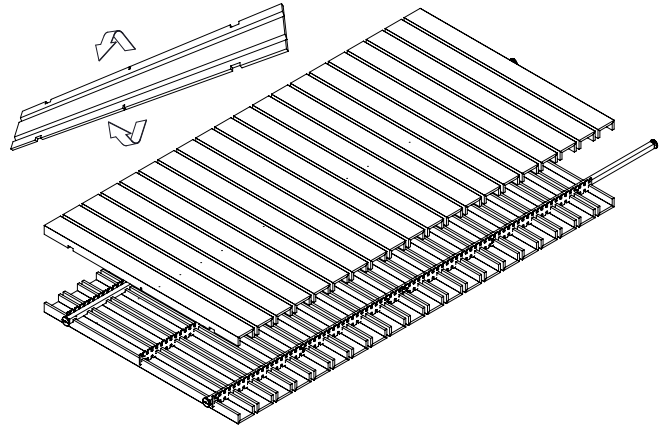


x2

5.1 ROTATE PREVIOUS INSTALL UPSIDE DOWN
INSTALL ACRYLIC COMB



5.2 FINISH INSTALLING REST OF THE STICKS
FOLD ZINTRA STICKS



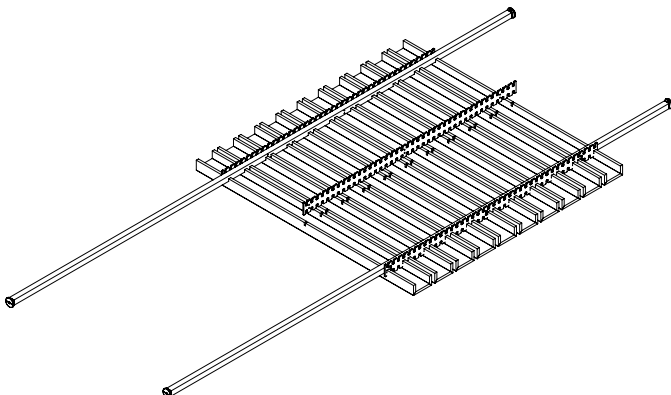
STEP 5

ZINTRA STICKS & ACRYLIC COMB INSTALL - HALF BUNDLE
ZINTRA STICKS - (10) WIDE OR (20) NARROW

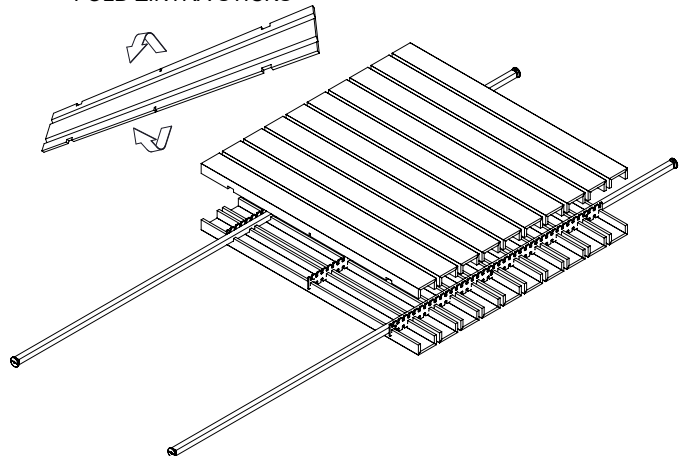


x1

5.1 ROTATE PREVIOUS INSTALL UPSIDE DOWN
INSTALL ACRYLIC COMB



5.2 FINISH INSTALLING REST OF THE STICKS
FOLD ZINTRA STICKS



ZINTRA STICKS

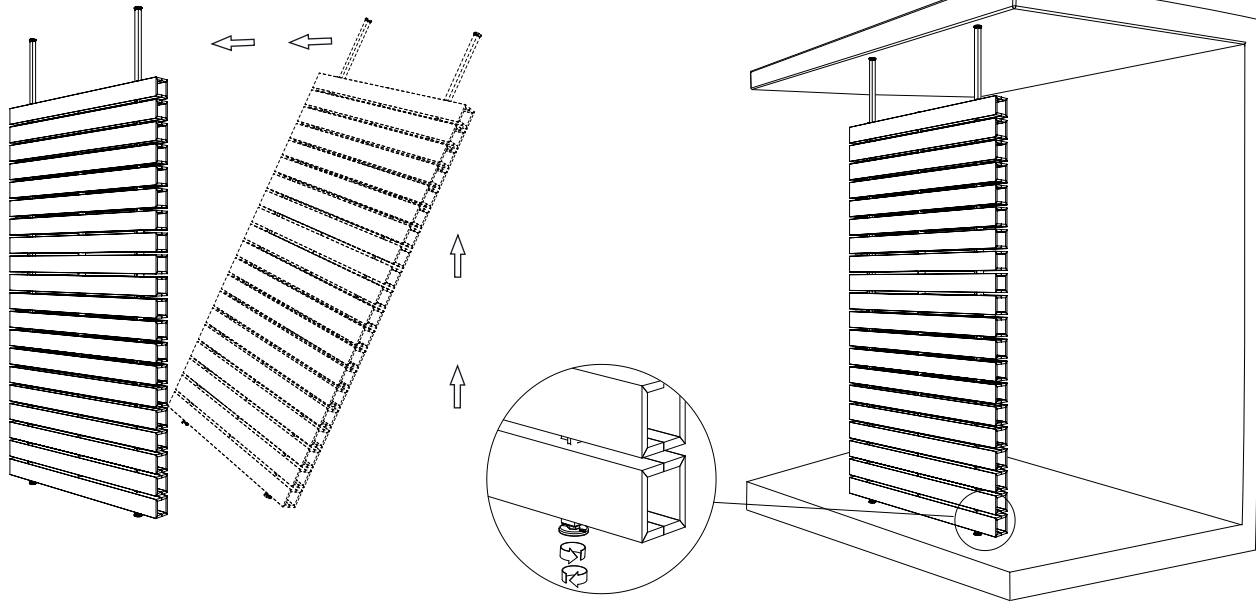
DOUBLE SIDED LANDSCAPE - NARROW & WIDE FULL & HALF VERSIONS ASSEMBLY INSTALLATION INSTRUCTIONS

STEP 6

FIXING THE INSTALL

6.1 ROTATE ASSEMBLY TO VERTICAL POSITION

6.2 USING SPIRIT LEVEL AND ADJUSTING LEVEL FEET
FIX THE ASSEMBLY



STEP 7

FINAL INSTALL - END CAPS

(7.1) CHECK INSTALLED STICKS. ADJUST IF NECESSARY

(7.2) PEELE OFF THE PROTECTIVE FILM FROM THE END CAPS

(7.3) GLUE END CAPS TO ZINTRA STICKS

