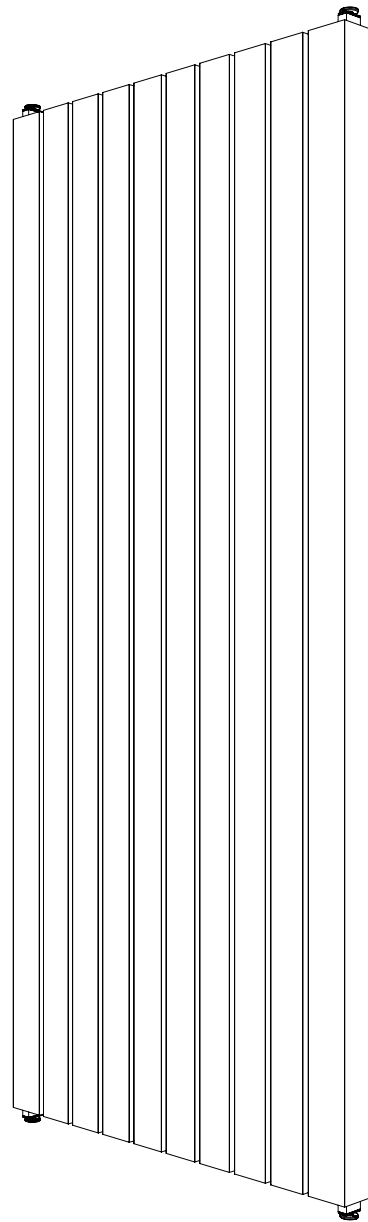
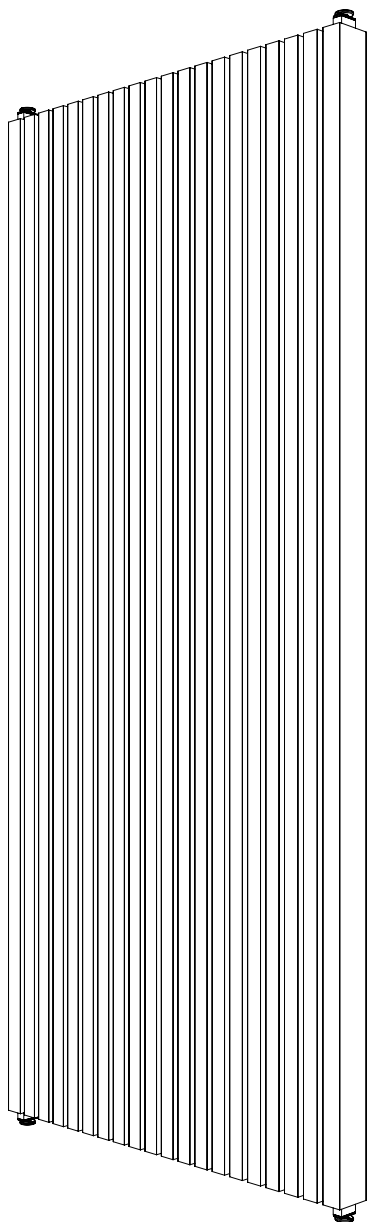




ZINTRA STICKS

DOUBLE SIDED PORTRAIT - NARROW & WIDE

ASSEMBLY INSTALLATION INSTRUCTIONS



ZINTRA STICKS

DOUBLE SIDED PORTRAIT - NARROW & WIDE

ASSEMBLY INSTALLATION INSTRUCTIONS

PARTS AND HARDWARE

FOR A TYPICAL ASSEMBLY

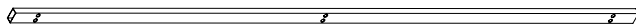
ZINTRA STICKS - (16) WIDE OR (36) NARROW



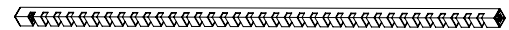
(2) ZINTRA END STICKS



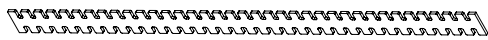
(2) VERTICAL ALUMINIUM TUBE



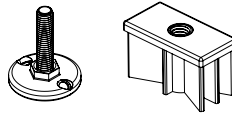
(6) HORIZONTAL ALUMINIUM TUBE



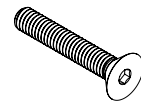
(4) ACRYLIC COMB



(4) LEVELING FEET SET



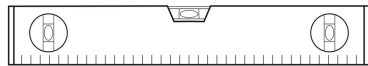
(12) COUNTERSUNK BOLTS



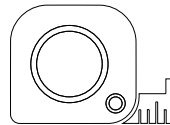
YOU WILL NEED

FOR A TYPICAL ASSEMBLY

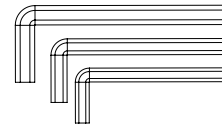
SPIRIT LEVEL



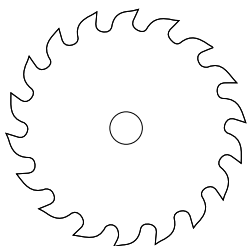
TYPE MEASURE



SET OF ALLEN KEYS



DROP SAW WITH SUITABLE BLADE FOR ALUMINIUM CUTTING



ZINTRA STICKS

DOUBLE SIDED PORTRAIT - NARROW & WIDE

ASSEMBLY INSTALLATION INSTRUCTIONS

STEP 1

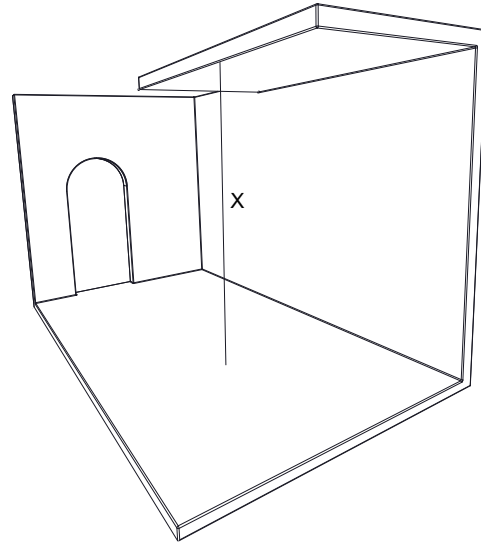
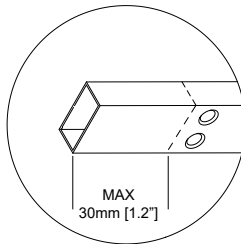
MEASURE THE HEIGHT [X] OF THE INSTALL.
FOR SAFE AND SECURE INSTALL X CAN NOT EXCEED 2921mm [115"]

IF NEEDED CUT THE VERTICAL ALUMINIUM TUBE TO SUIT

OPTIMAL Y DISTANCE IS $Y = X - 76\text{mm}$ [3"]

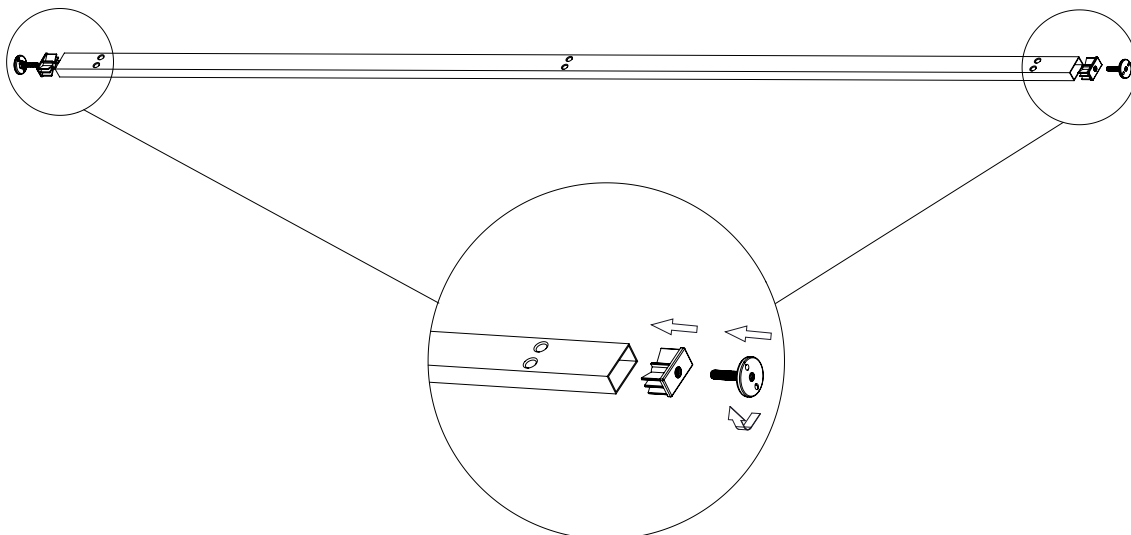


THE MAXIMUM CUT FROM EACH ALUMINIUM TUBE END IS 30mm [1.2"]



STEP 2

LEVELING FEET SET INSTALL



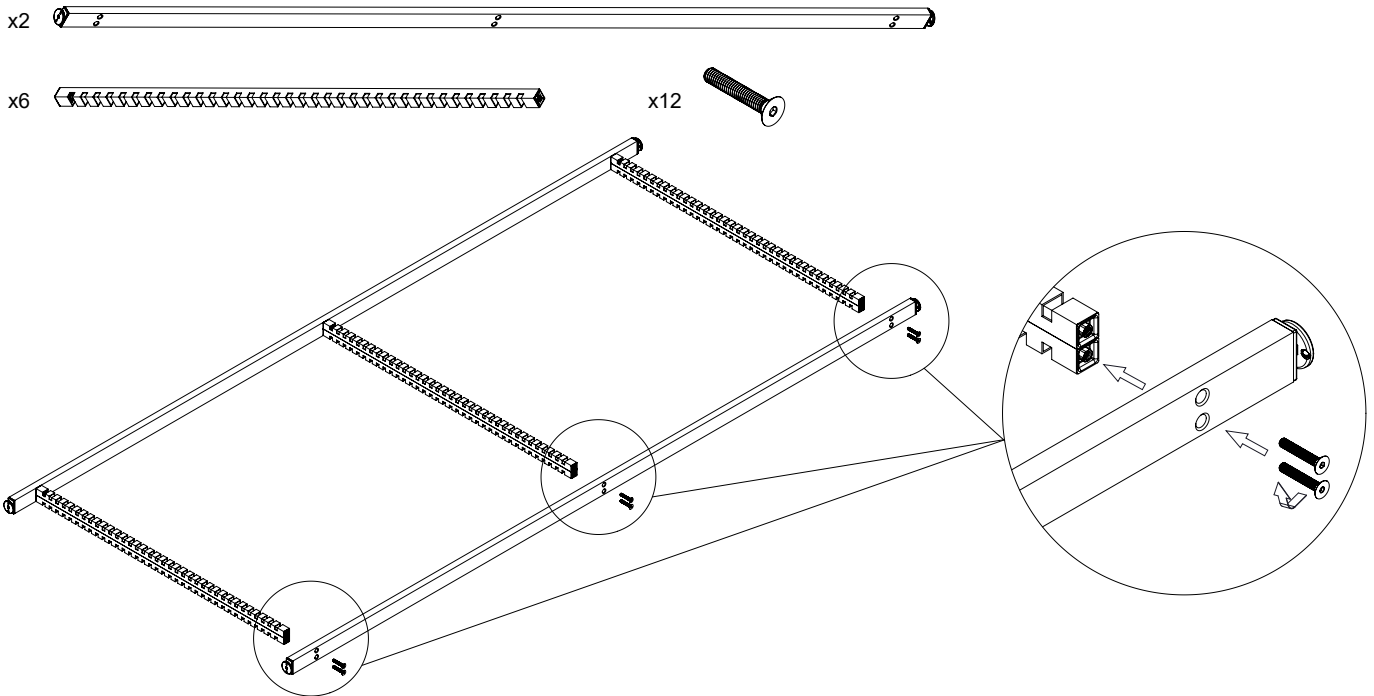
ZINTRA STICKS

DOUBLE SIDED PORTRAIT - NARROW & WIDE

ASSEMBLY INSTALLATION INSTRUCTIONS

STEP 3

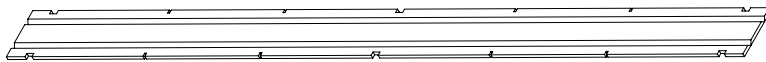
FRAME ASSEMBLY



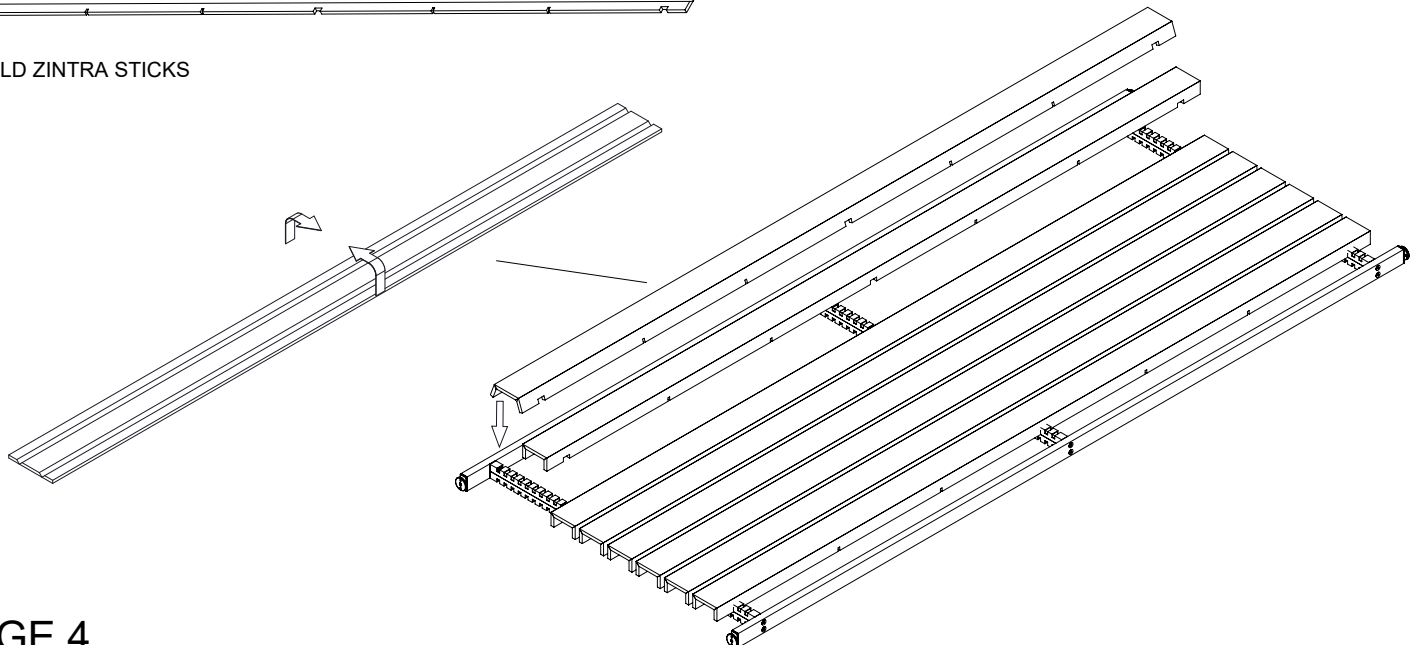
STEP 4

STICKS INSTALL

ZINTRA STICKS - (8) WIDE OR (18) NARROW



FOLD ZINTRA STICKS



ZINTRA STICKS

DOUBLE SIDED PORTRAIT - NARROW & WIDE

ASSEMBLY INSTALLATION INSTRUCTIONS

STEP 5

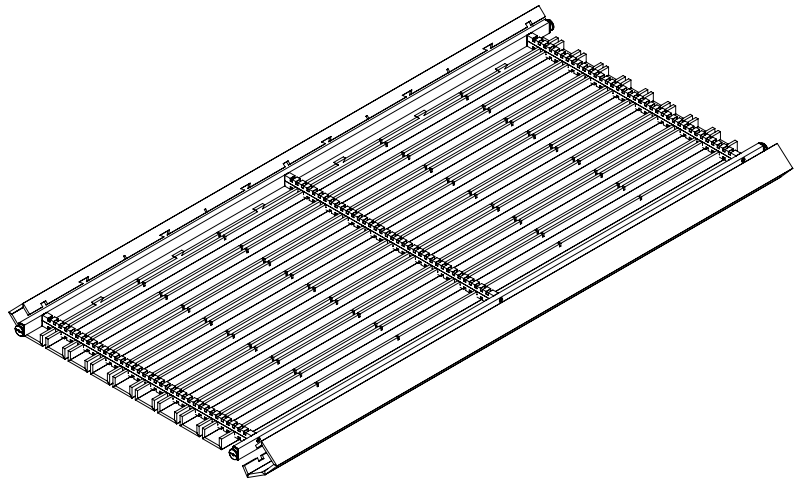
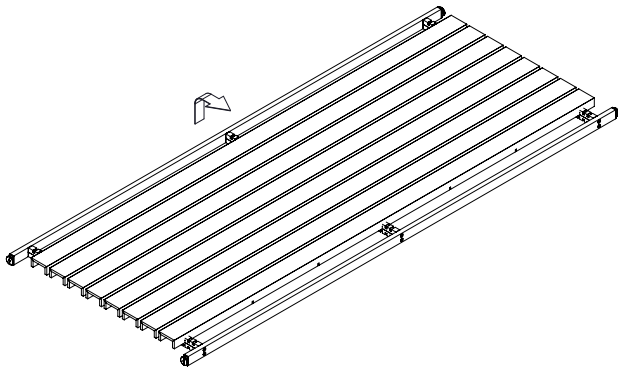
END STICKS INTALL

ZINTRA END STICKS - (2) WIDE OR (2) NARROW



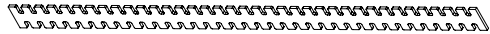
5.1 ROTATE PREVIOUS INTALL UPSIDE DOWN

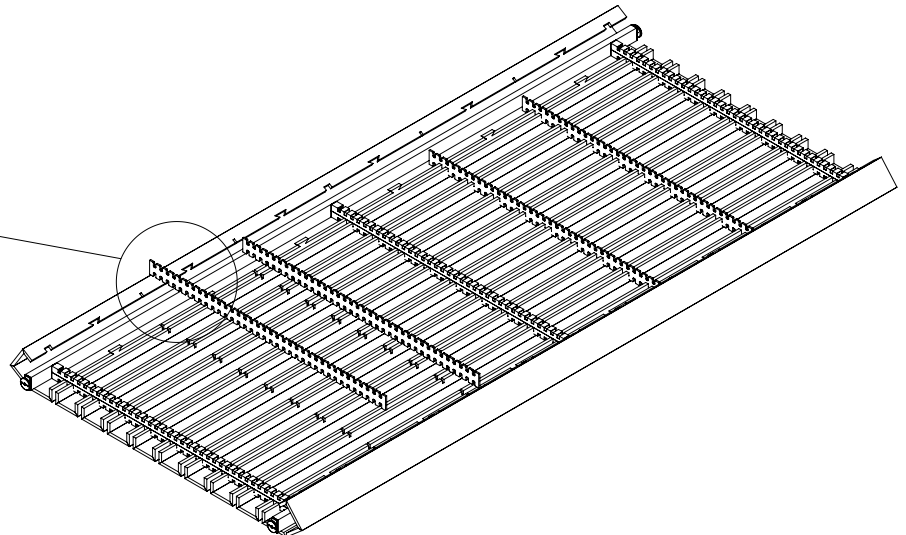
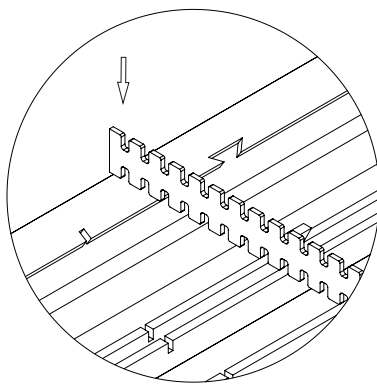
5.2 INSTALL END STICKS - KEEP END STICKS OPEN FOR FURHER INSTALL



STEP 6

ACRYLIC COMB INSTALL

x4 



ZINTRA STICKS

DOUBLE SIDED PORTRAIT - NARROW & WIDE

ASSEMBLY INSTALLATION INSTRUCTIONS

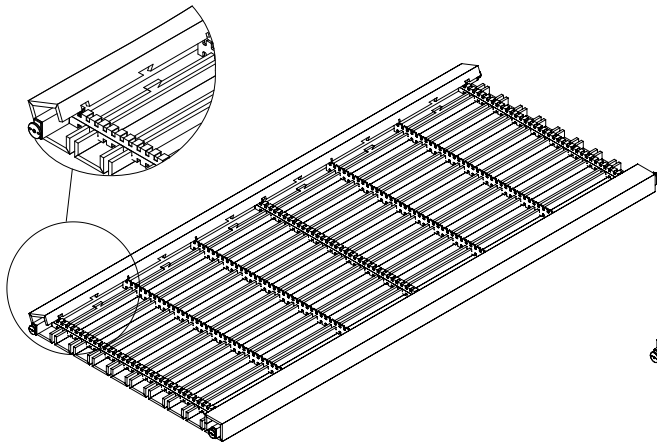
STEP 7

STICKS INTALL

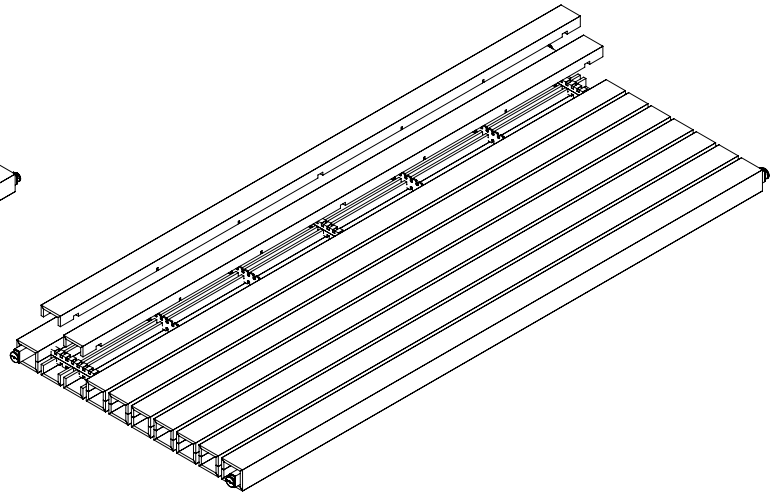
ZINTRA STICKS - (8) WIDE OR (18) NARROW



7.1 LOCK END STICKS



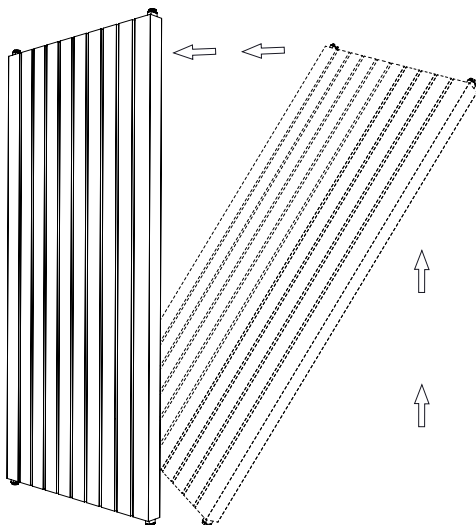
7.2 FOLD STICKS AND INSTALL



STEP 8

FINAL INSTALL

8.1 ROTATE ASSEMBLY TO VERTICAL POSITION



8.2 USING SPIRIT LEVEL AND ADJUSTING LEVEL FEETS FINISH THE INSTALL

