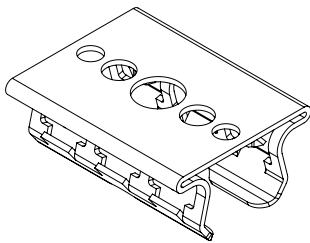


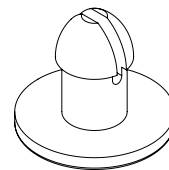
PARTS AND HARDWARE

FOR A TYPICAL ASSEMBLY

SNAP-IN STRUT MOUNT



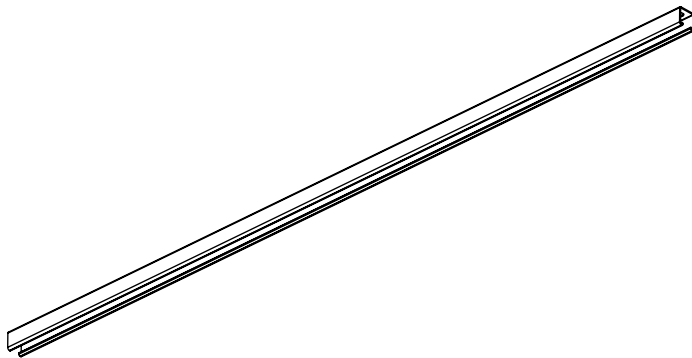
PUSH-IN RIVET



YOU WILL NEED

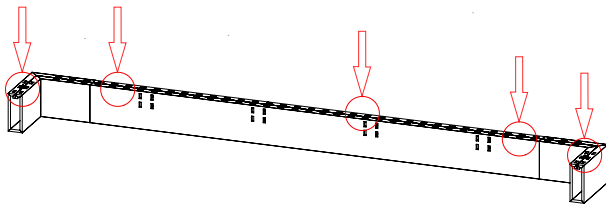
FOR A TYPICAL ASSEMBLY

STRUT CHANNEL (*NOT INCLUDED*)



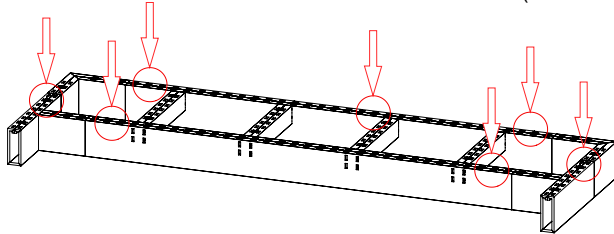
FOR A TYPICAL ASSEMBLY

RECTANGULAR BEAM



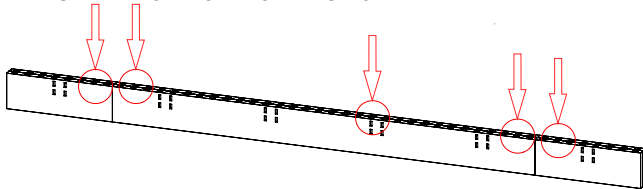
CLOSED RAFTER

RECOMMENDED SUSPENSION POINTS FOR SECTION OF CLOSED RAFTER ASSEMBLY:
x3 SUSPENSION POINTS ON EACH 8in MAIN BEAM (96in).
x2 SUSPENSION POINT ON EACH 8in MAIN BEAM (72in / 48in / 24in).

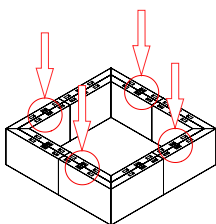


OPEN RAFTER / PARALLEL RAFTER

RECOMMENDED SUSPENSION POINTS FOR SECTION OF OPEN RAFTER & PARALLEL BEAM ASSEMBLY:
x3 SUSPENSION POINTS ON EACH 8in MAIN BEAM (96in).
x1 SUSPENSION POINT ON EACH 8in END BEAM.



SQUARE BEAM



BEAMS VERSION / SUSPENSION POINTS

RECTANGULAR BEAM

x10

5 X 5 4 X 5 3 X 5 2 X 5 1 X 5

x22	x19	x16	x13	x10
-----	-----	-----	-----	-----

5 X 5 4 X 5 3 X 5 2 X 5 1 X 5

x30	x25	x20	x15	x10
-----	-----	-----	-----	-----

PARALLEL RAFTER

x40

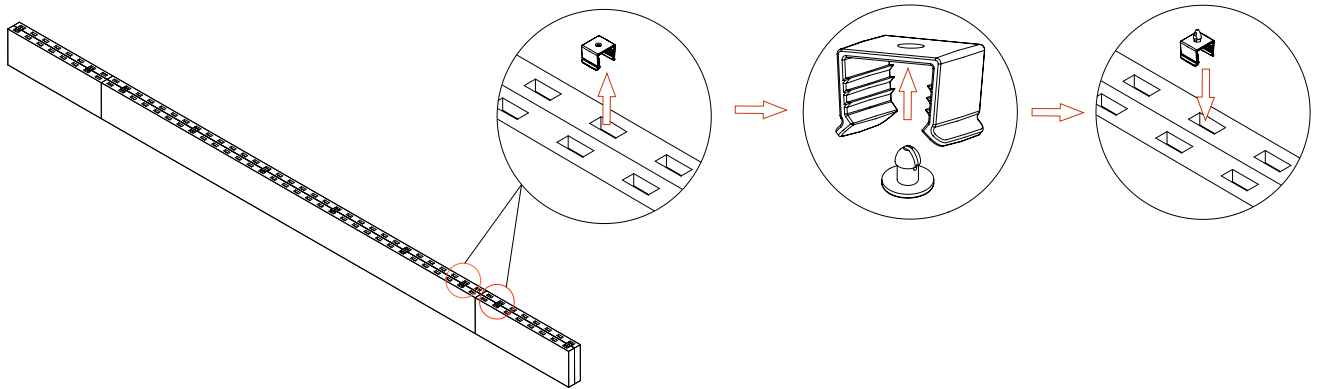
SQUARE BEAM SET

x16

SUSPENSION METHOD

STEP 1

1.1 REMOVE BEAMS CLIP FROM INTENDED SUSPENSION LOCATION AND INSERT PUSH-IN RIVET INTO BEAMS CLIP AS SHOWN. INSERT BEAMS CLIP & PUSH-IN RIVET ASSEMBLY BACK TO ITS LOCATION.

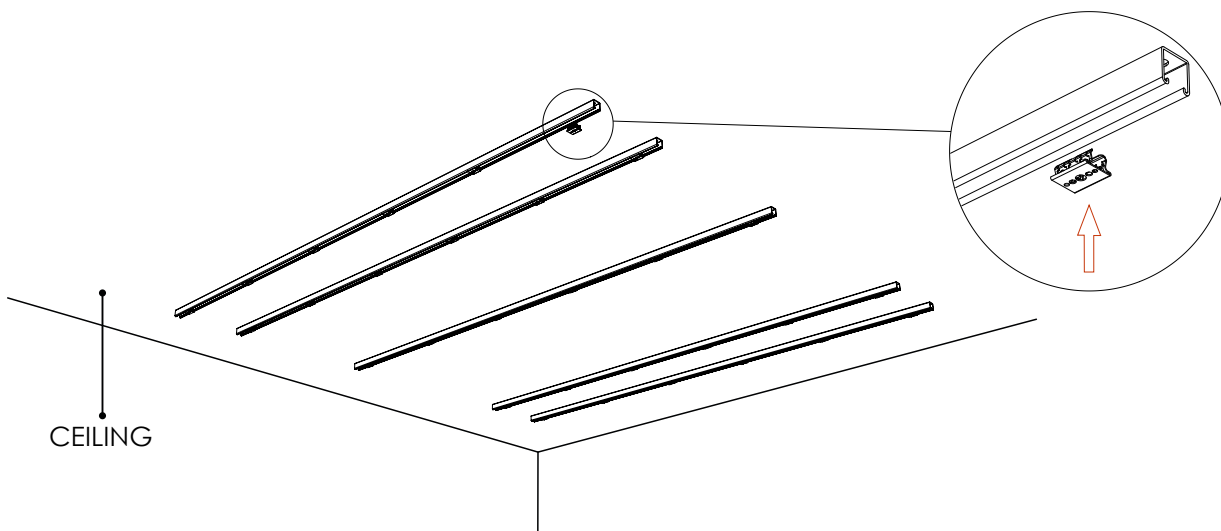


STEP 2

2.1 DETERMINE THE SUSPENSION POINTS FOR THE ZINTRA BEAMS SYSTEM THAT BEST SUIT THE SITE SPECIFIC INSTALATION. FOLLOW RECOMENDED SUSPENSION POINTS ON EACH BEAMS SYSTEM.

2.2 ONCE THE SUSPENSION POINTS ON THE ZINTRA BEAMS HAVE BEEN SELECTED, IDENTIFY THE CORRESPONDING POINTS ON THE CEILING STRUT CHANNELS.

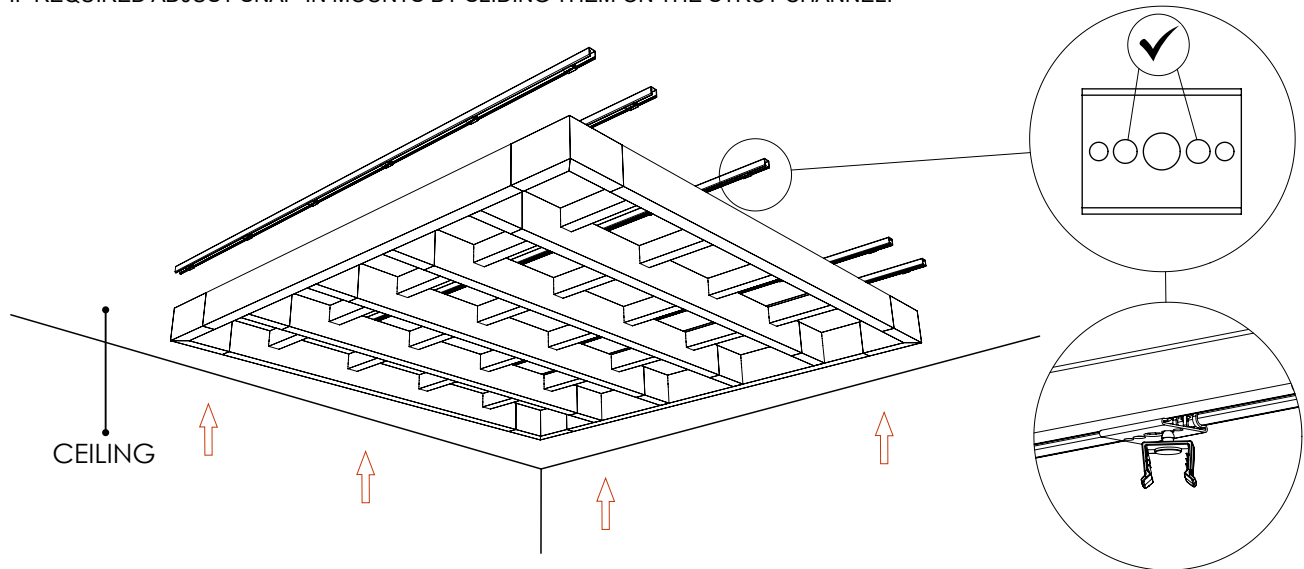
2.3. INSERT SNAP-IN STRUT MOUNTS INTO STRUT CHANNELS. CHECK ONCE AGAIN IF THE CORRESPONDING POINTS ON THE STRUT ARE MATCHING RECOMENDED SUSPENSION POINTS ON ZINTRA BEAMS SYSTEM.



SUSPENSION METHOD

STEP 3

3.1 INSERT ZINTRA BEAMS ASSEMBLY INTO THE SNAP-IN STRUT MOUNTS.
NOTE: USE JUST SECOND AND FOURTH HOLES ON SNAP-IN STRUT MOUNT.
IF REQUIRED ADJUST SNAP-IN MOUNTS BY SLIDING THEM ON THE STRUT CHANNEL.



INSTALLATION COMPLETE

