

ISOMETRIC

client:

project: ZINTRA BEAMS

date : 2/02/2023

description: RECTANGULAR BEAM

assembly name: RECTANGULAR BEAM GA

SKU: ZI.BM.RB.27123

sheet size:

**A3**

sheet scale:

1:12

page no:

1

rev:

**0**

drawn by:

**JV**

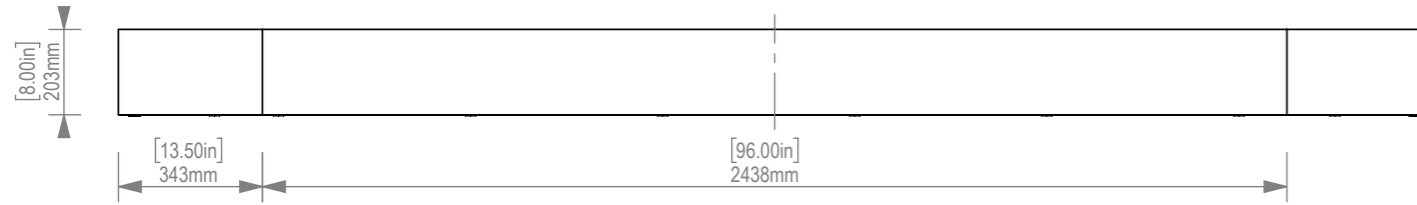
CLIENTS APPROVAL

\_\_\_\_\_  
SIGNATURE

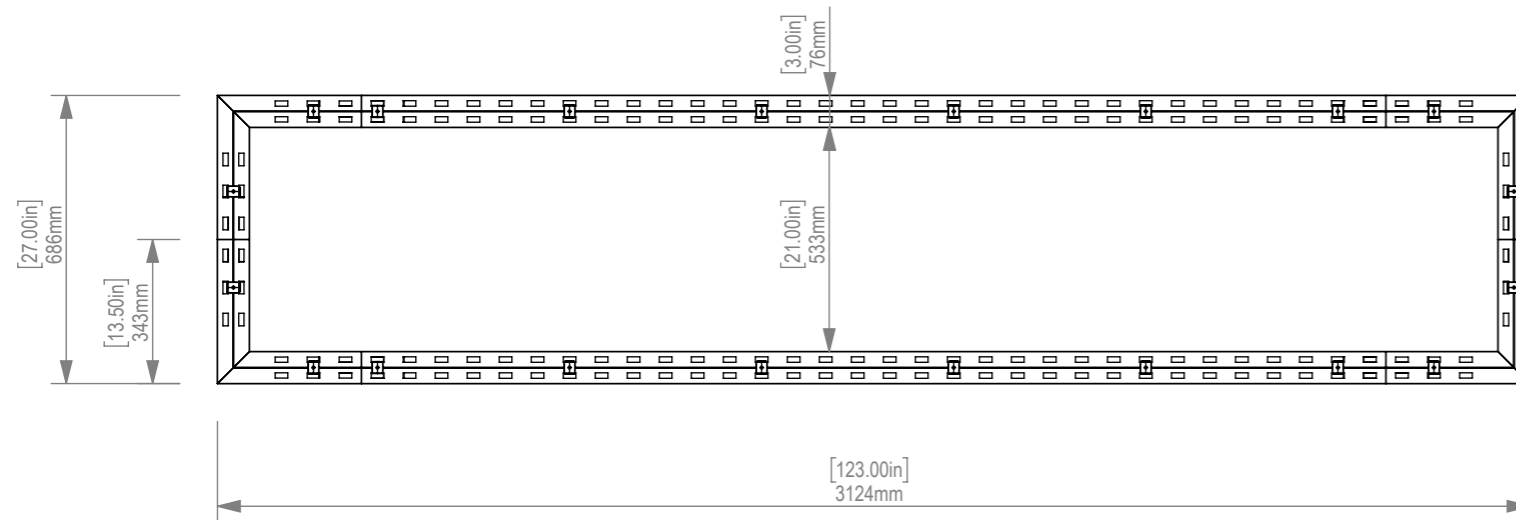
\_\_\_\_\_  
DATE

PLEASE MAKE SURE THAT ALL DIMENSIONS AND INFORMATION  
MATCHES THE PROJECT AND SIGN FOR APPROVAL

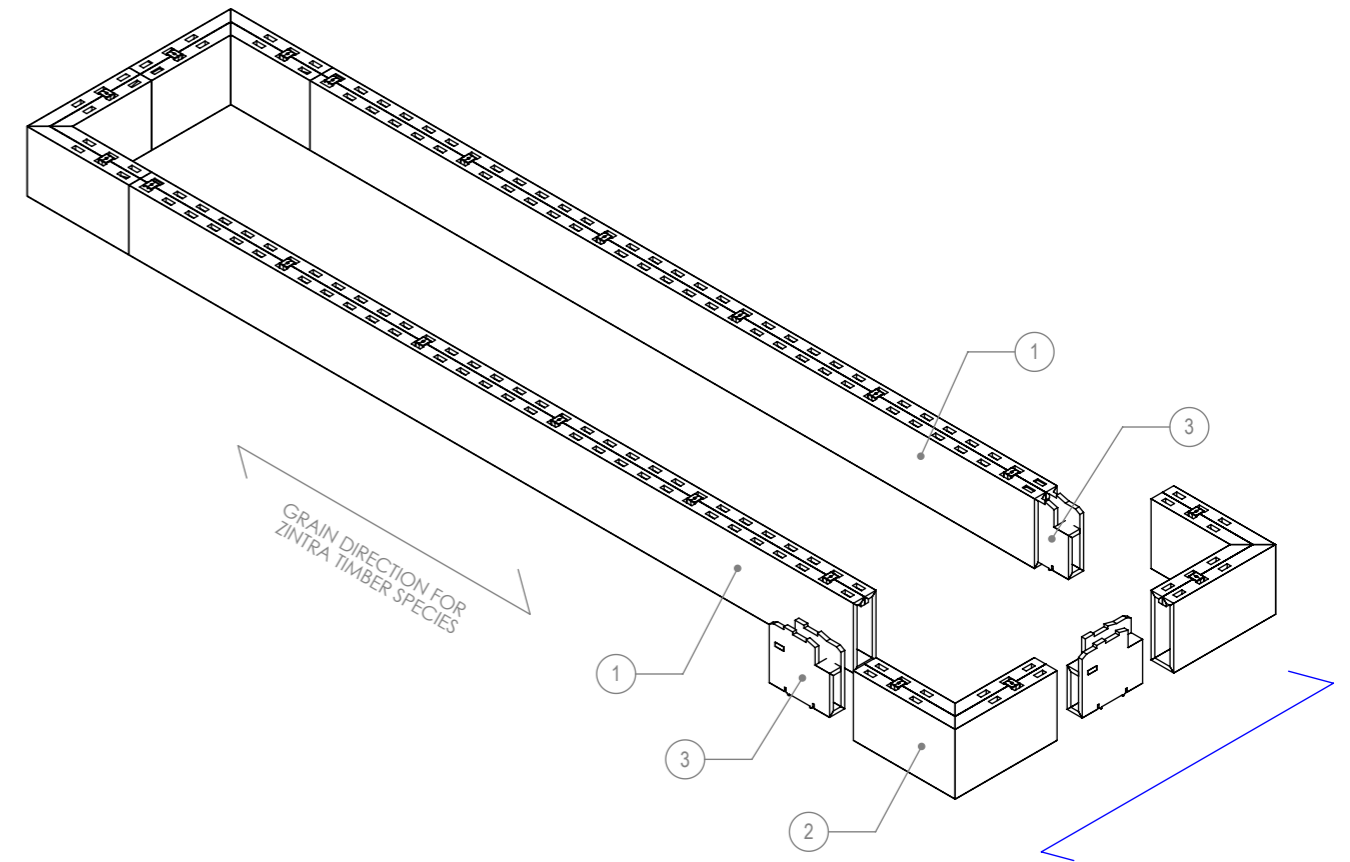
ITEM NO.	Description	Material	Finish	QTY.
1	96in x 8in Main Beam	ZINTRA	AS PER ORDER	2
2	13.5in x 8in Corner Beam	ZINTRA	AS PER ORDER	4
3	8in Beam Connector	ZINTRA	AS PER OREDER	6
4	Beams Clip	POLYCARBONATE	CLEAR	20



SIDE VIEW



TOP VIEW



EXPLODED