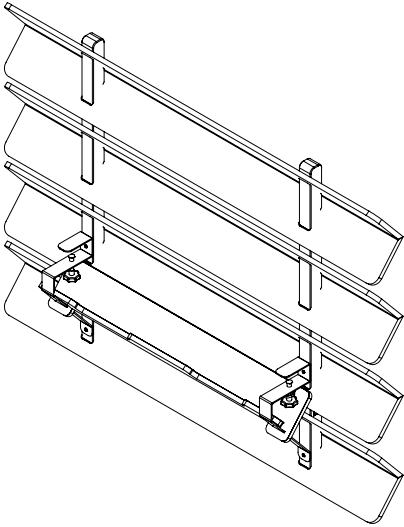
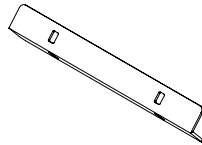


Alinta Desk Screen install guide for all sizes.

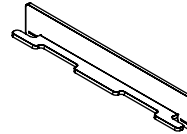


x1 Alinta Desk Screen

CONTENTS



x4



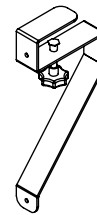
x1



x4



x2



x2

Tools you will need:

0

- Phillips head screw driver

Safety protection you will need:

- Safety Glasses

1

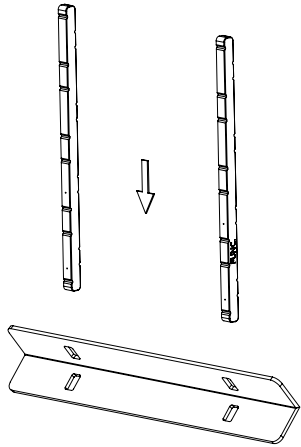


a.
Fold panels

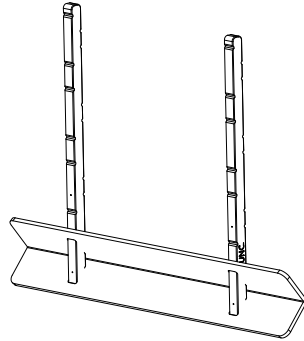


b.
Repeat for all panels

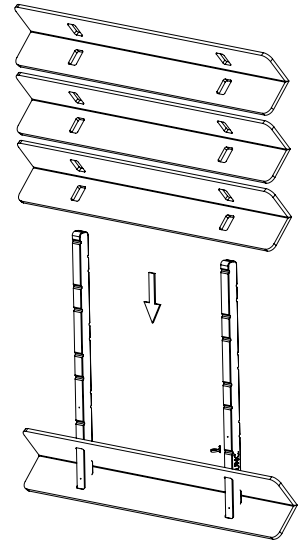
2



a. Slide panel on support

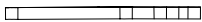


b. Ensure is locked in location

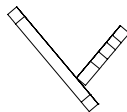


c. Slide the rest down the supports

3

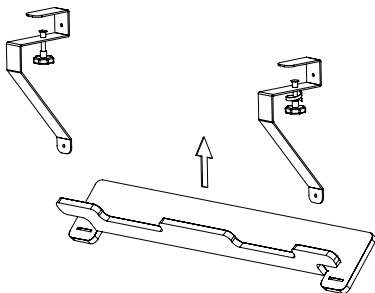


a. Fold panels

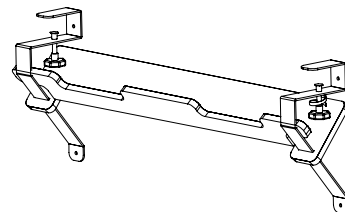


b. Done

4

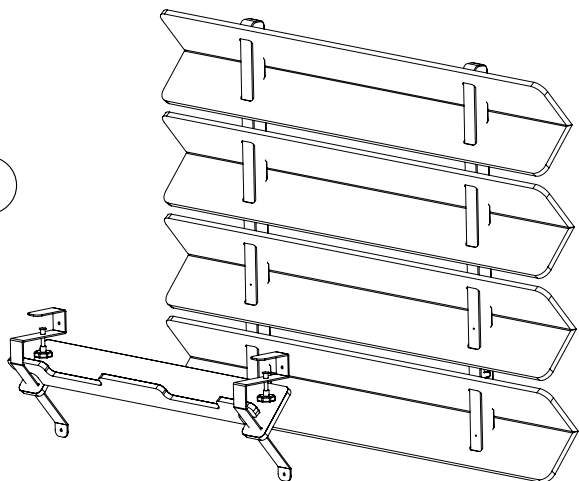


a. Slide cable tray onto bracket

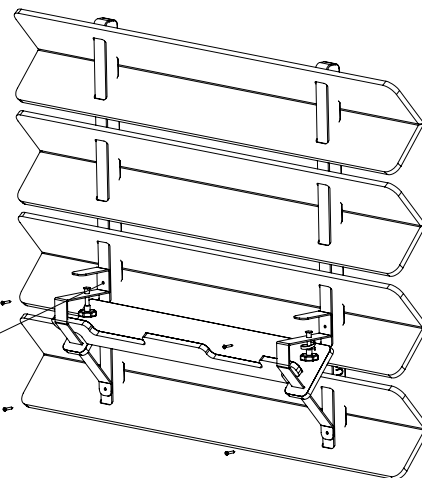
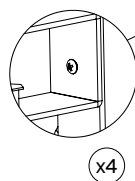


b. Check tray is strong and in position

5

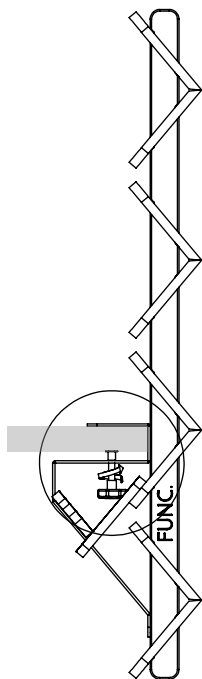


a.
Locate bracket with the holes on the support.

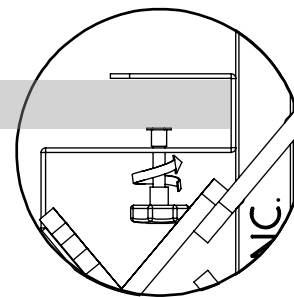


b.
Screw bracket into place with a phillips head screw driver.

6



a.
Fit Alinta Desk Screen to desk.



b.
Tighten the clamp, so the screen and desk are tight.