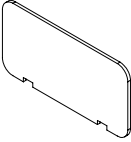
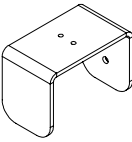
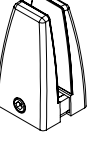
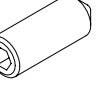

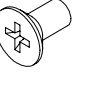


Biliby Desk Screen install guide for all sizes.

x1 Biliby Desk Screen

CONTENTS

						
Product size	Screen panel	Bracket Clamp	Clamp	M6 Set Screw	Pet Protector	M4 Flat Head Screw
24"w x 12"h 610mm w x 305mm h	1	2	2	2	2	4
30"w x 12"h 762mm w x 305mm h	1	2	2	2	2	4
36"w x 12"h 915mm w x 305mm h	1	2	2	2	2	4
42"w x 12"h 1067mm w x 305mm h	1	2	2	2	2	4
48"w x 12"h 1220mm w x 305mm h	1	2	2	2	2	4
60"w x 12"h 1524mm w x 305mm h	1	3	3	3	3	6
72"w x 12"h 1829mm w x 305mm h	1	3	3	3	3	6

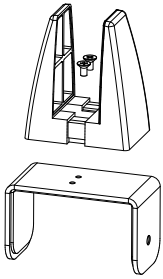
Tools you will need:

- Phillips head screw driver
- 4mm allen key

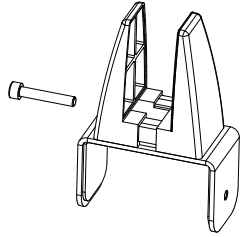
Safety protection you will need:

- Safety Glasses

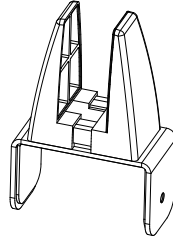
2



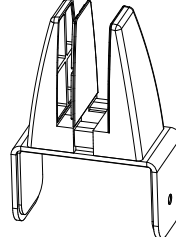
a.
Screw clamp to
bracket.



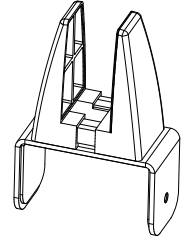
b.
Insert and tight
tighten clamps, in
not already one



c.
Ensure space is
bigger than 0.5"
[12.7mm]

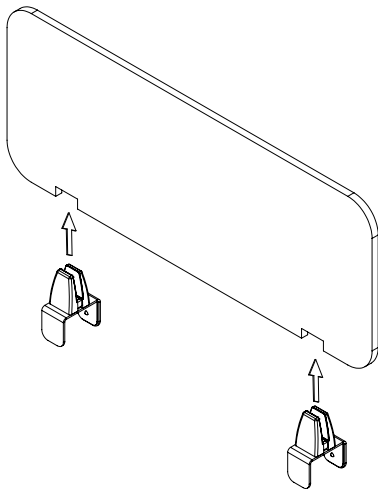


d.
Insert plastic
protector shims.

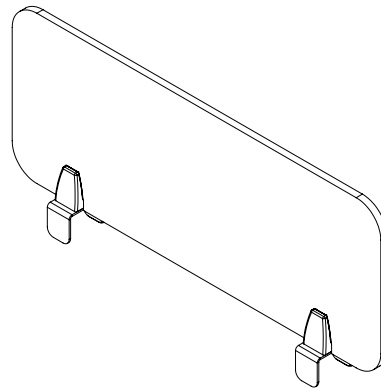


e.
Ready for panel to
be attached

2



a.
Insert clamp assembly
onto panel



d.
Tighten clamp and place
on desk partition