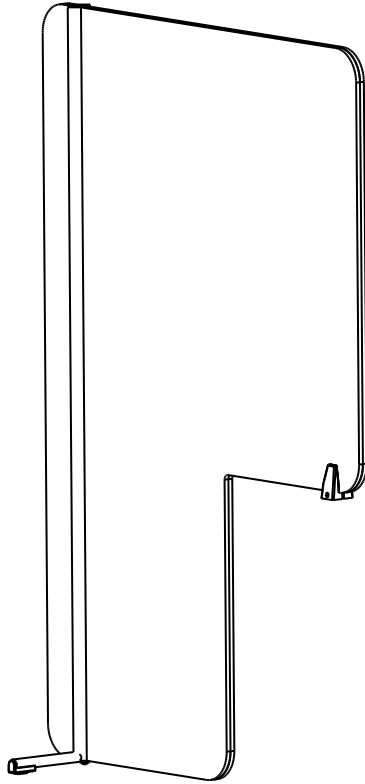


Kaya freestanding install guide



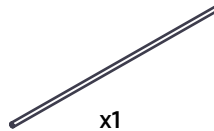
x1 Kaya Bridge

CONTENTS



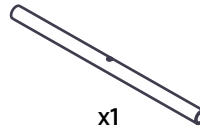
x1

PET panel - colour and model as per order



x1

Support vertical - with welded washer



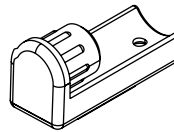
x1

Support horizontal



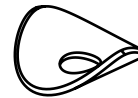
x1

1" tube saddle washer



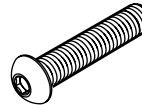
x2

1" tube glide



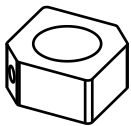
x1

Curved washer



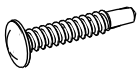
x1

Button head hex drive screw - 0.3125" x 1.625" long



x1

Black HDPE Collar



x1

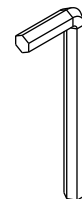
No. 12 x 1.25" Self drilling screw

Safety protection you will need:

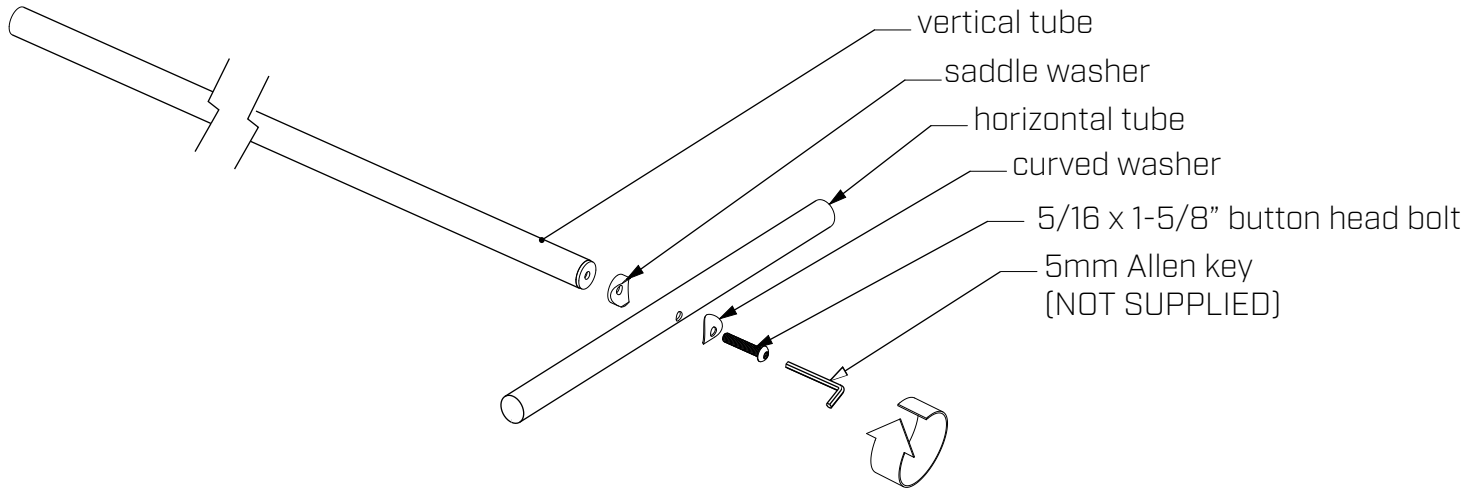
- Safety Glasses

Tools you will need:

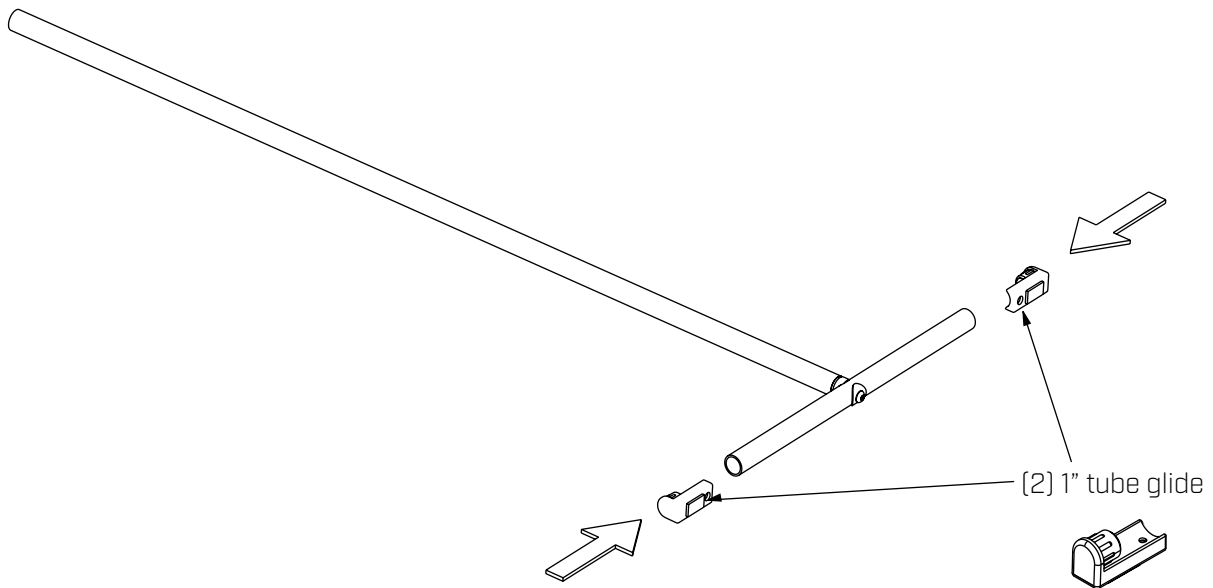
- Set of Allen Keys



1

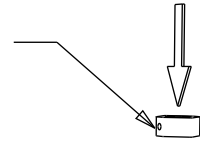
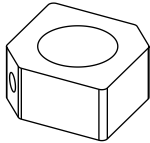


2

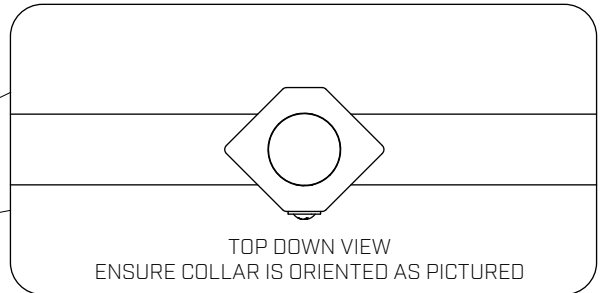
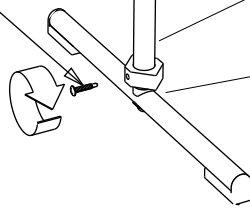
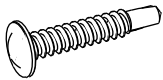


3

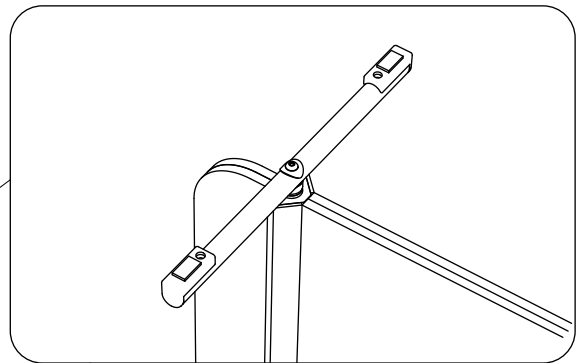
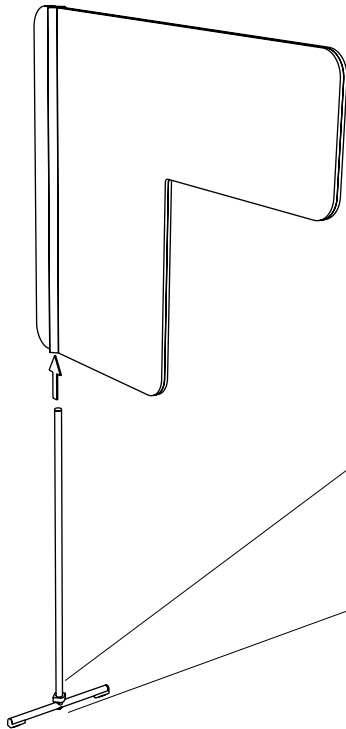
BLACK HDPE COLLAR



NO.12 X 1.25" SELF
DRILLING SCREW

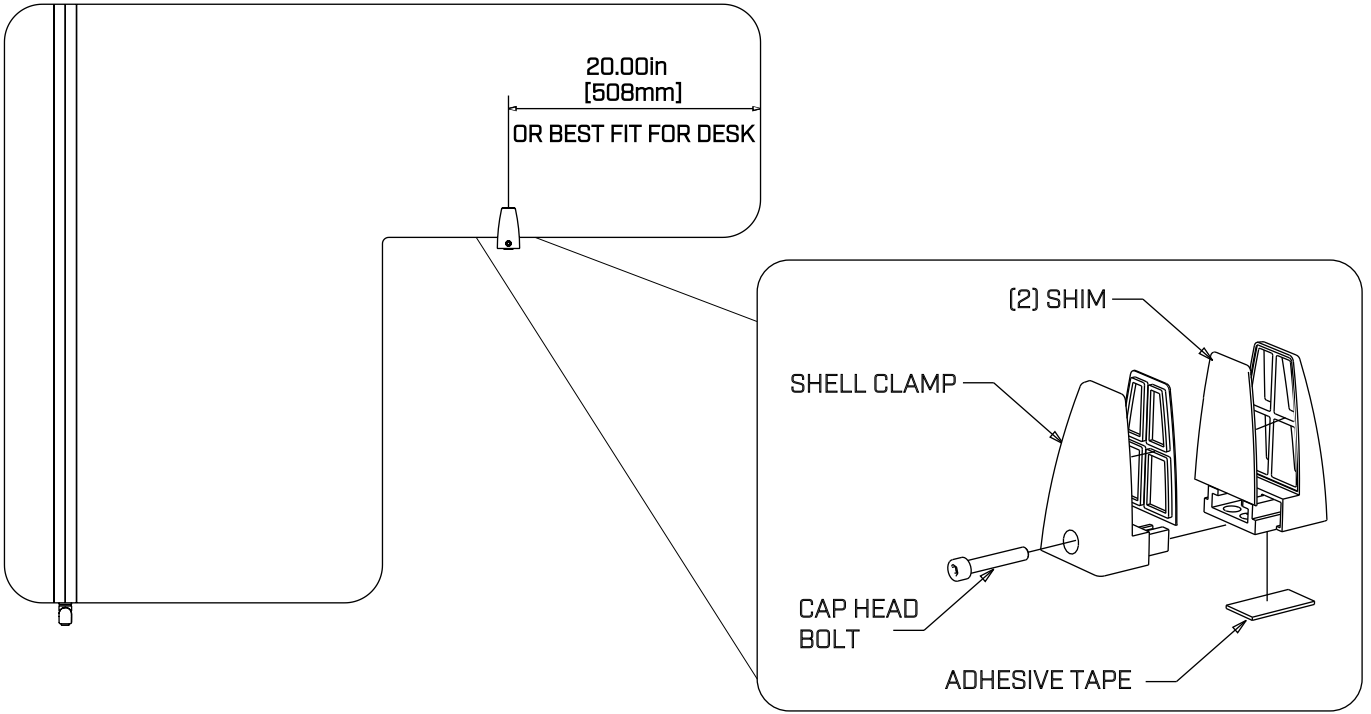


4



ENSURE COLLAR IS SEATED INSIDE PET PANEL POCKET

5



6

