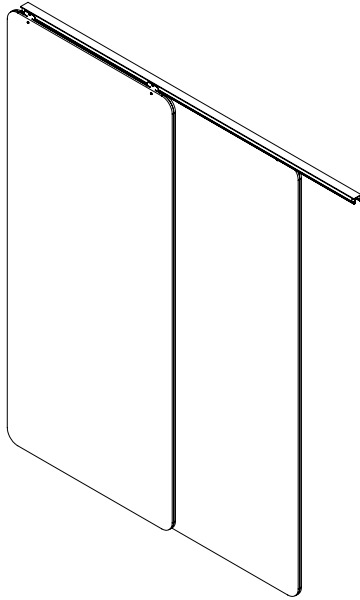
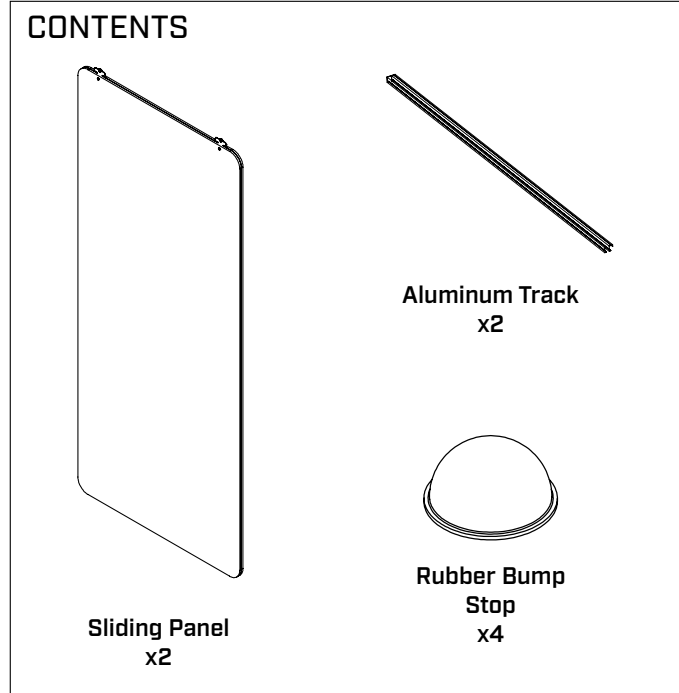


Kaya sliding screen install guide for all sizes.



x1 Kaya Sliding Screen

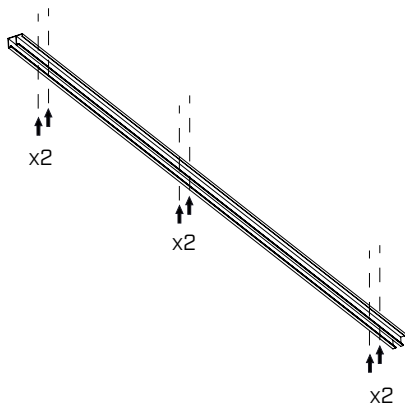


Tools you will need:

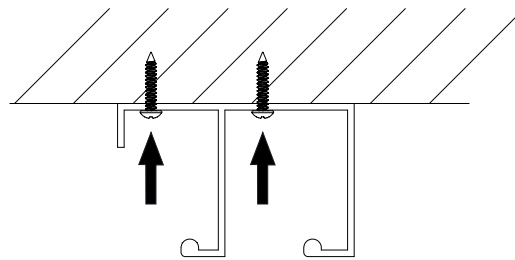
- Phillips head screw driver
- Drill

Safety protection you will need:

- Safety Glasses

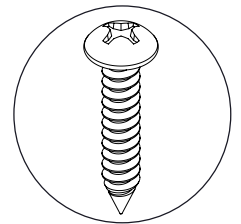


a.
Drill 6 holes spaced as above.

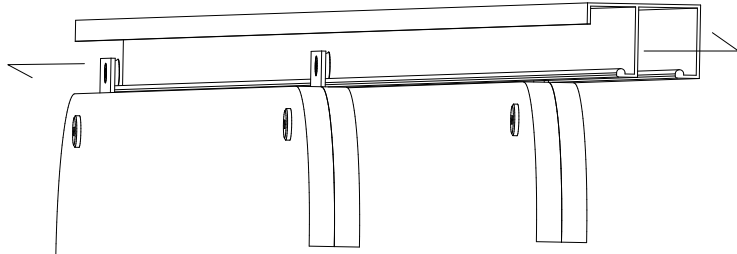


SECTION VIEW

b.
Screw into aluminum securing it to the ceiling. Installer to ensure the correct screws are used.

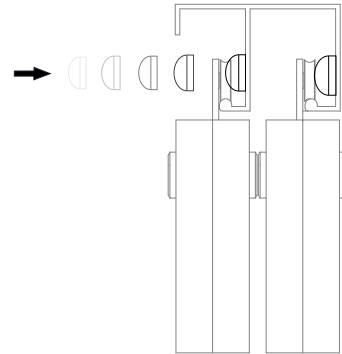


6 Screws
(not included)
x4

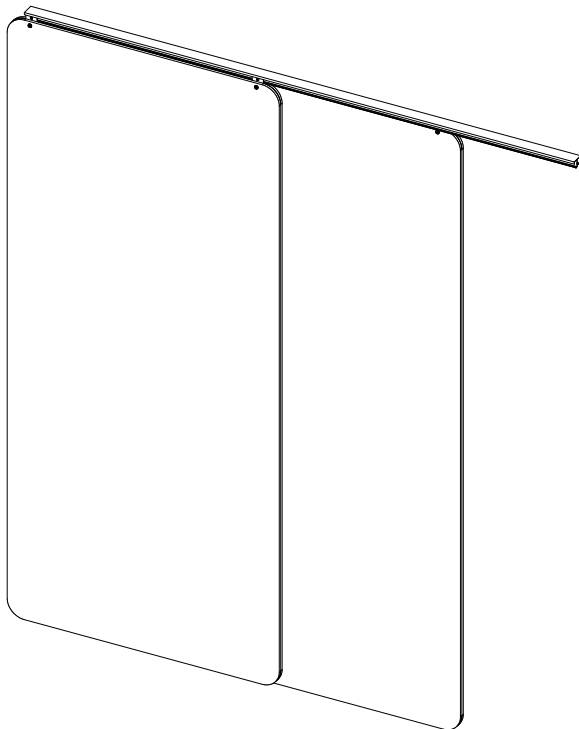


2

a.
Slide PET panel in from each side.



b.
Attach Rubber bump stops at the end of aluminum channel.



3

a.
Ready to be used.