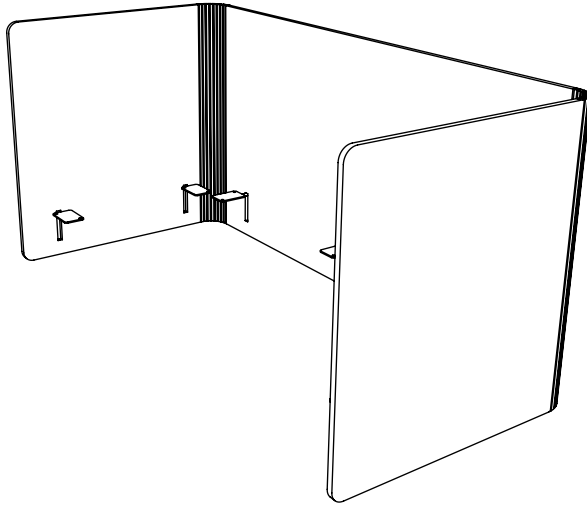
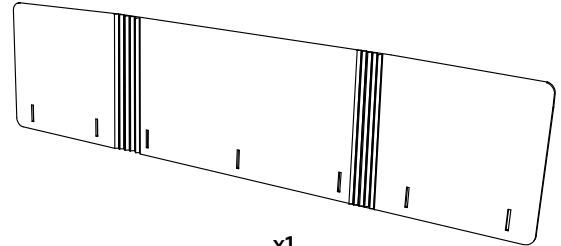


#### Mallee desk screen install guide



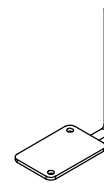
x1 Mallee desk screen

#### CONTENTS



x1

(NOTE: SCREENS LARGER THAN 60in WILL BE SUPPLIED IN 2 PEICES)



DESK LENGTHS UNDER 60in = X7  
DESK LENGTHS OVER 60in = X8

#### **Safety** protection you will need:

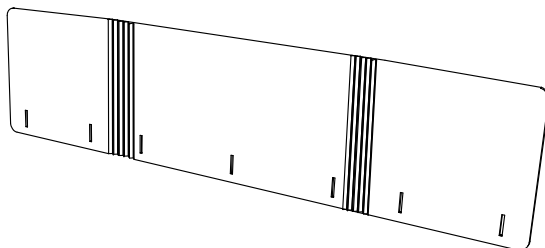
0

- Safety glasses

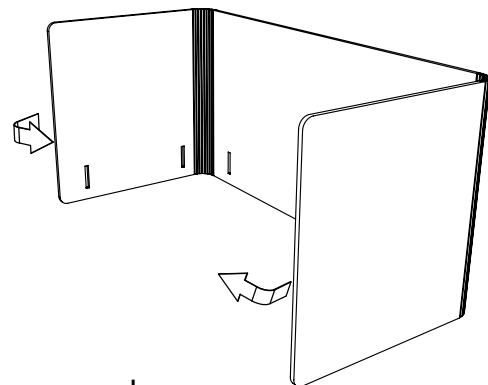
#### Tools you will need:

- Phillips head screw driver
- x14 screws

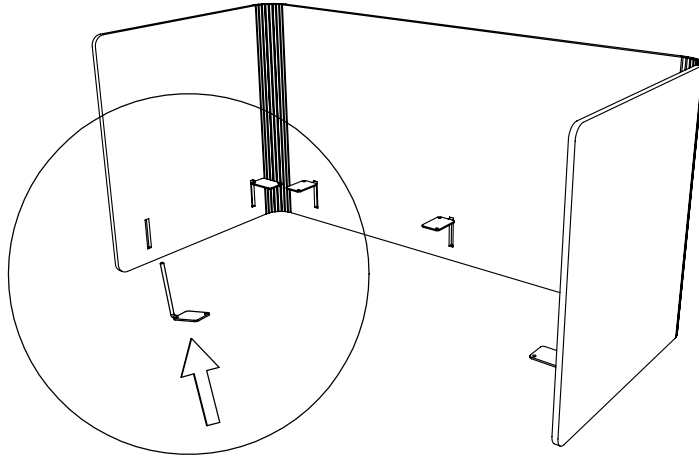
1



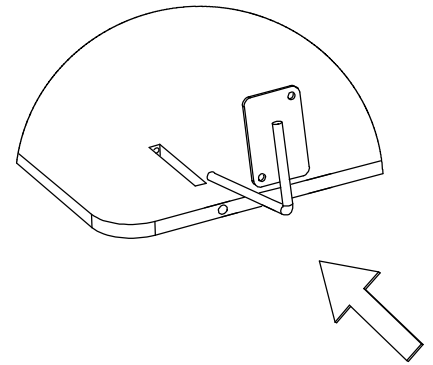
a.  
Open box and check contents



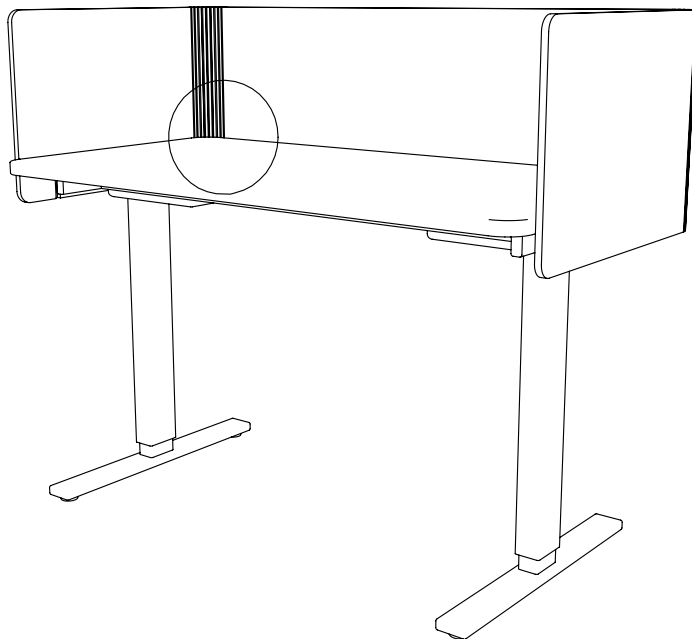
b.  
Fold side flap on PET Panel.



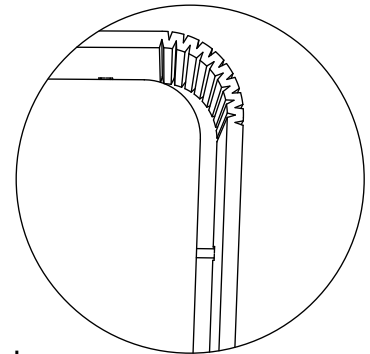
**a.**  
insert mounts into position.



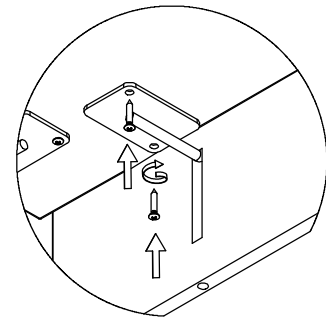
**b.**  
Insert into position and ensure  
mount is straight



**a.**  
Mallee screen is ready to  
be mounted to the desk.



**b.**  
Leave the gap of (16mm / 0.63")  
for cable management if required



**c.**  
**IMPORTANT:**  
Select right length screws and fix the  
screen with a phillips head screw driver.