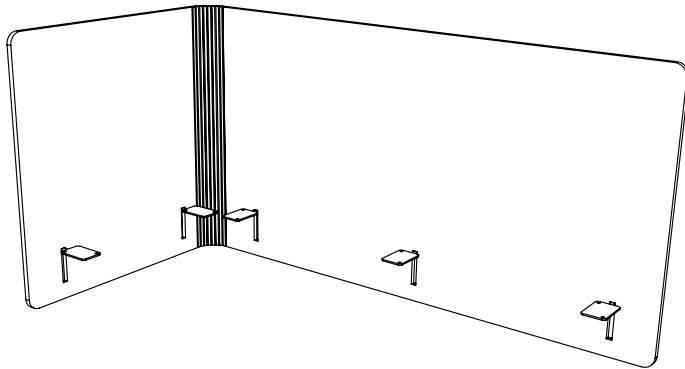
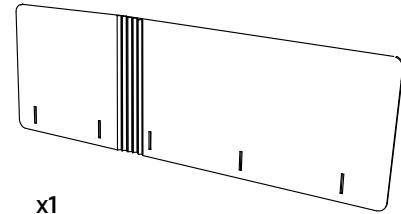


Mallee desk screen install guide

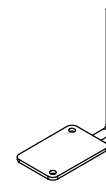


x1 Mallee desk screen

CONTENTS



x1



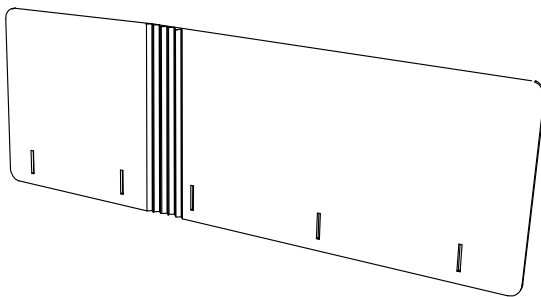
x5

0 **Safety** protection you will need:

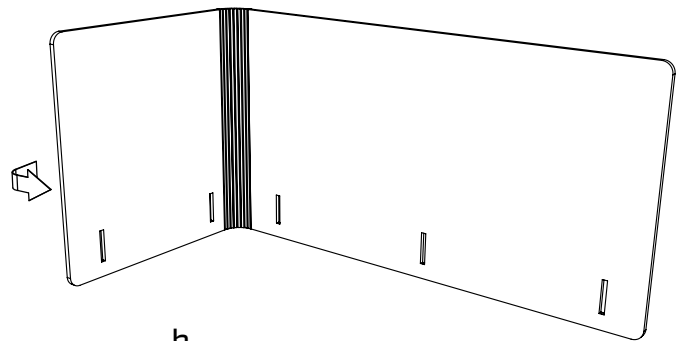
- Safety glasses

Tools you will need:

- Phillips head screw driver
- x10 screws

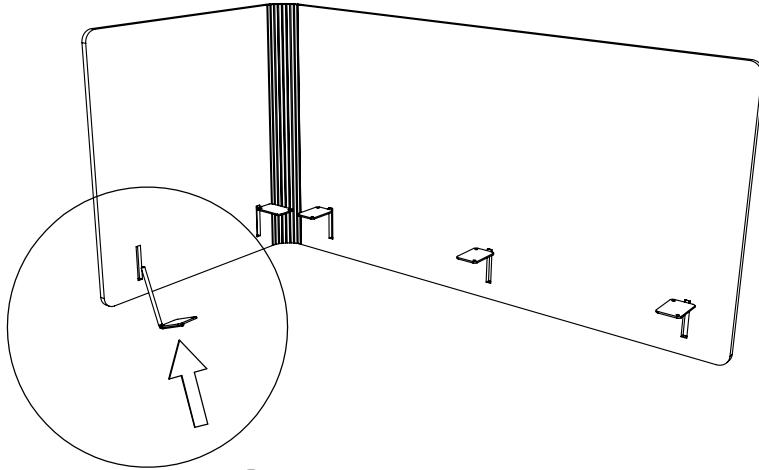


1 a.
Open box and check contents

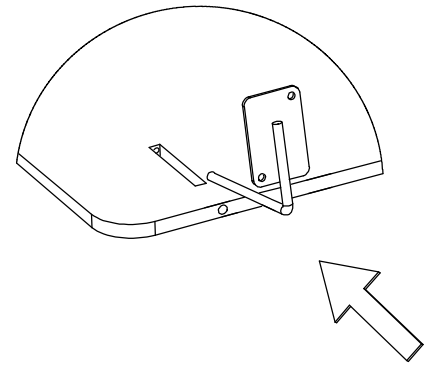


1 b.
Fold side flap on PET Panel.

2

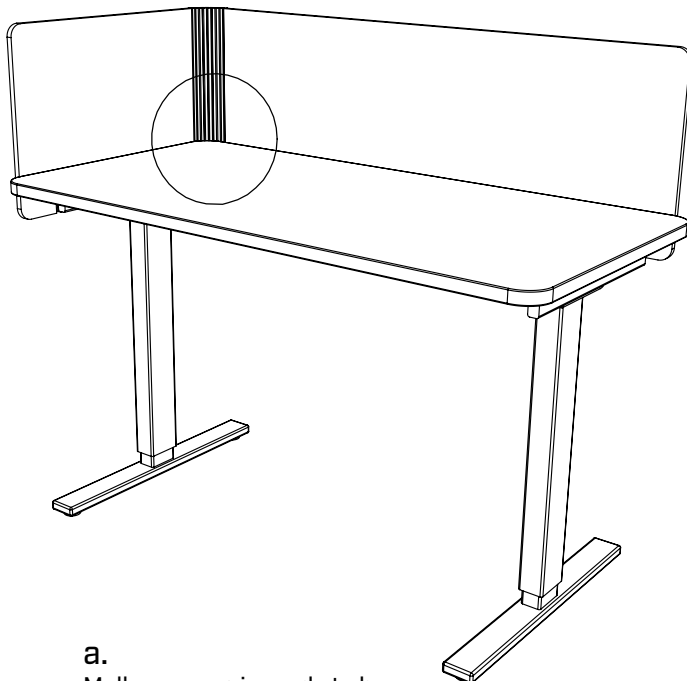


a. insert mounts into position.

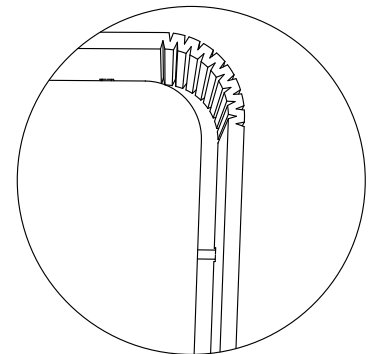


b. Insert into position and ensure mount is straight

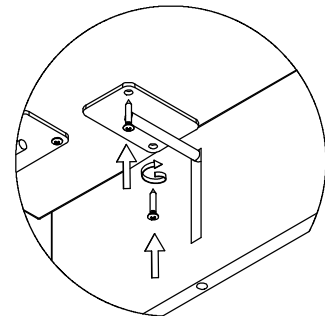
3



a. Mallee screen is ready to be mounted to the desk.



b. Leave the gap of (16mm / 0.63") for cable management if required



c. **IMPORTANT:** Select right length screws and fix the screen with a phillips head screw driver.