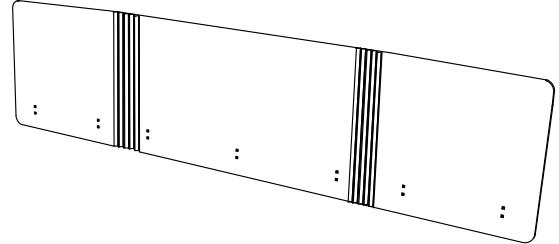


x1 Mallee desk screen

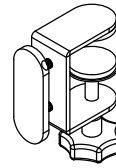
Mallee desk screen install guide

CONTENTS



x1

[NOTE: SCREENS LARGER THAN 60in WILL BE SUPPLIED IN 2 PEICES]



DESK LENGTHS UNDER 60in = X7
DESK LENGTHS OVER 60in = X8

Safety protection you will need:

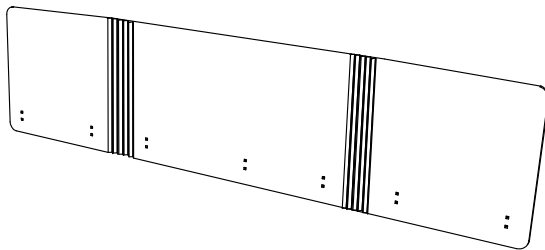
- Safety glasses

Tools you will need:

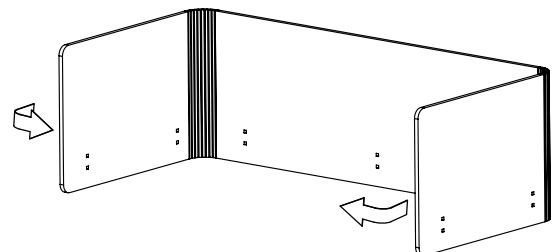
- Phillips head screw driver

0

1

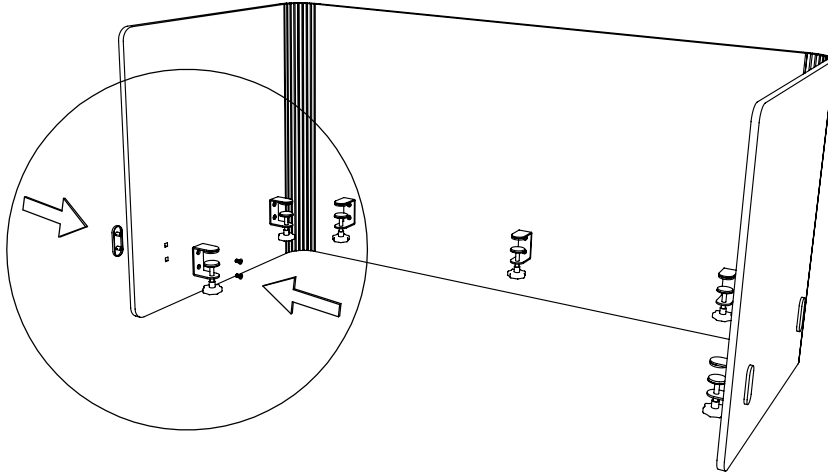


a.
Open box and check contents

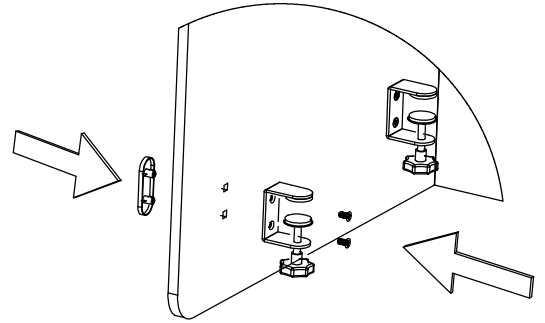


b.
Fold side flap on PET Panel.

2

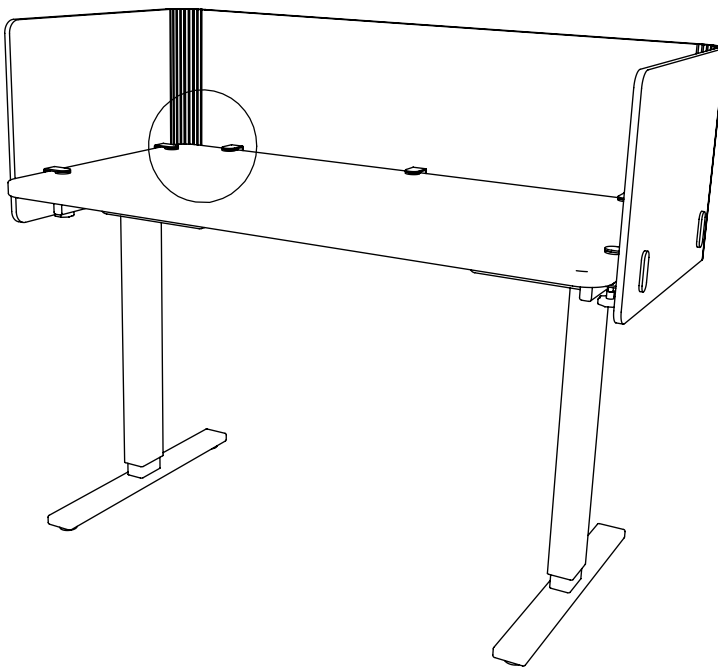


a.
insert brackets into position.

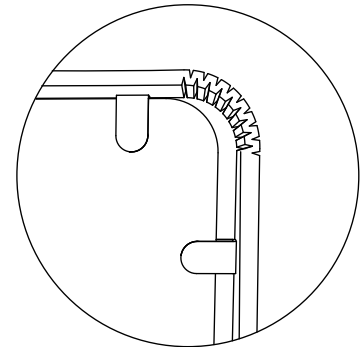


b.
Tighten the bolts and ensure
mount is straight

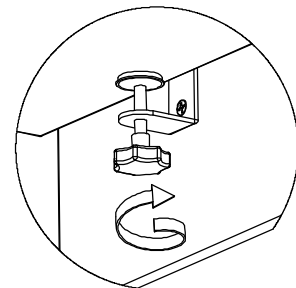
3



a.
Mallee screen is ready to be
mounted to the desk.



b.
Leave the gap of [16mm / 0.63"]
for cable management if required



c.
Tighten the knob