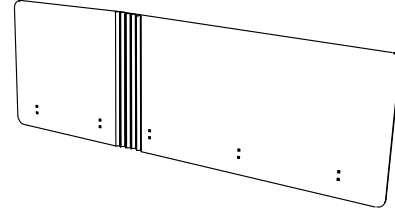
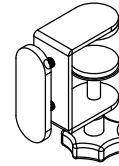


Mallee desk screen install guide

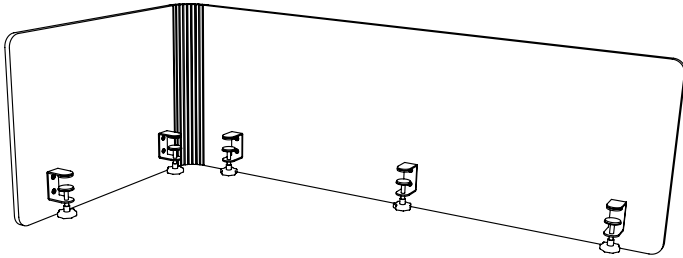
CONTENTS



x1



x5



x1 Mallee desk screen (L-shape)

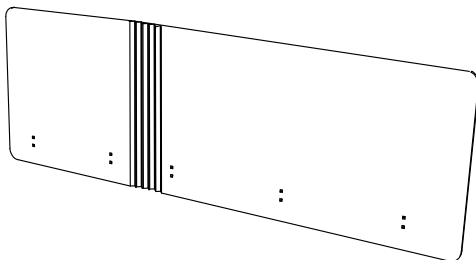
Safety protection you will need:

- Safety glasses

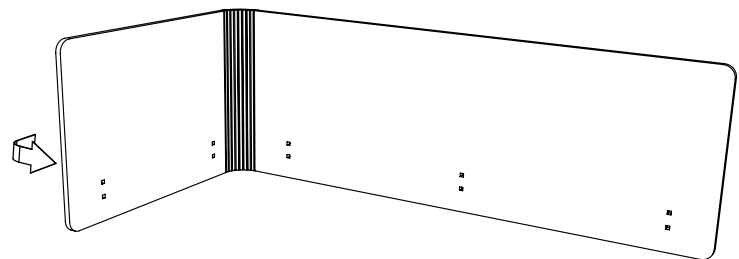
Tools you will need:

- Phillips head screw driver

1

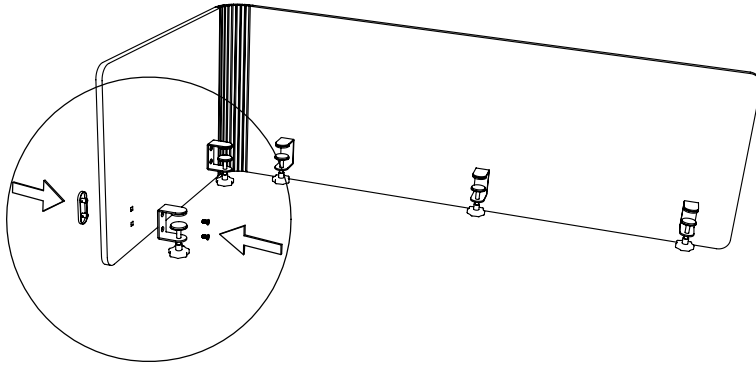


a.
Open box and check contents

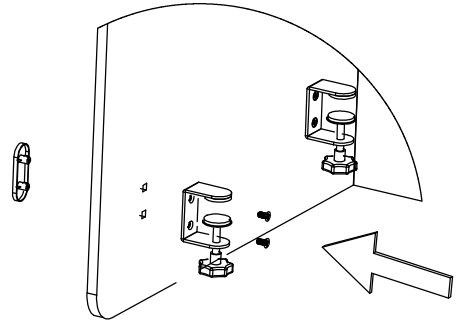


b.
Fold side flap on PET Panel.

2

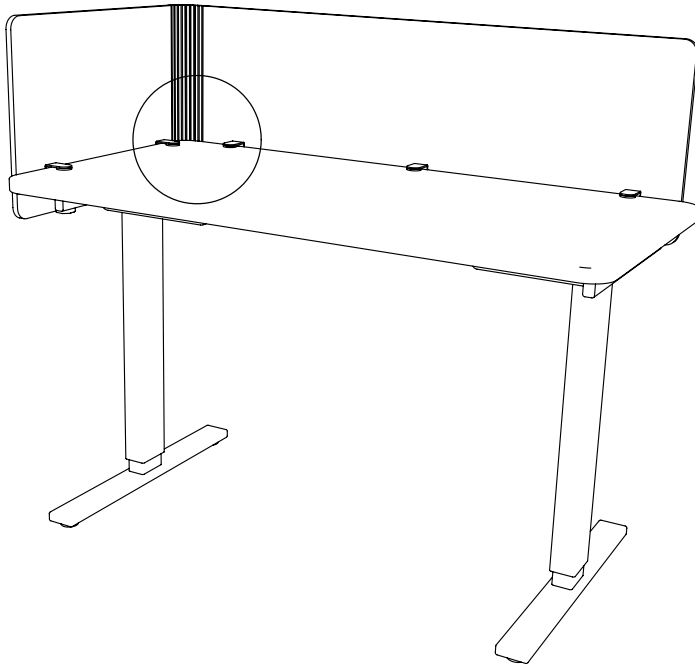


a.
insert brackets into position.

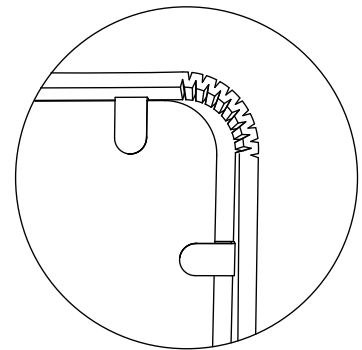


b.
Tighten the bolts and ensure
mount is straight

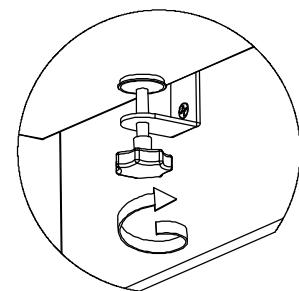
3



a.
Mallee screen is ready to be
mounted to the desk.



b.
Leave the gap of [16mm / 0.63"]
for cable management if required



c.
Tighten the knob