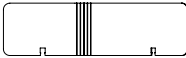
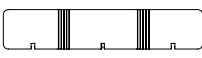
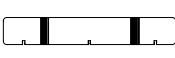
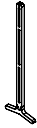



Mallee Floor Screen install guide for all sizes.

x1 Mallee Floor Screen

#### CONTENTS

					
Product size	60" Panel	84" Panel	108" Panel	54" Support	72" Support
60"w x 54"h   1524mm w x 1371mm h	3			2	
60"w x 72"h   1524mm w x 305mm h	4				2
84"w x 54"h   21336mm w x 1371mm h		3		3	
84"w x 72"h   21336mm w x 305mm h		4			3
108"w x 54"h   27432mm w x 1371mm h			3	3	
108"w x 72"h   27432mm w x 305mm h			4		3

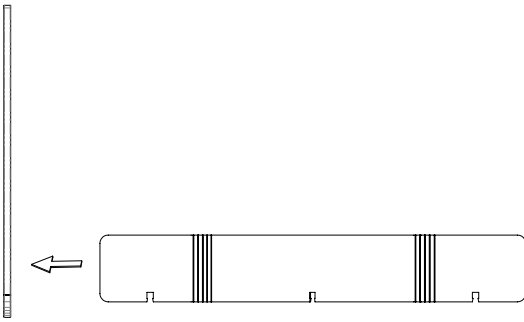
**Tools you will need:**

- Just your Hands

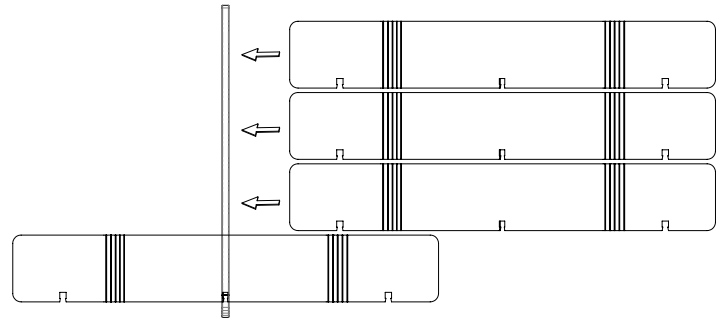
**Safety** protection you will need:

- Safety Glasses

1

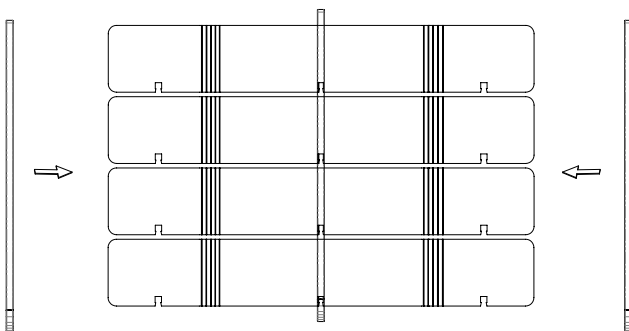


**a.**  
Slide bottom Panel into support

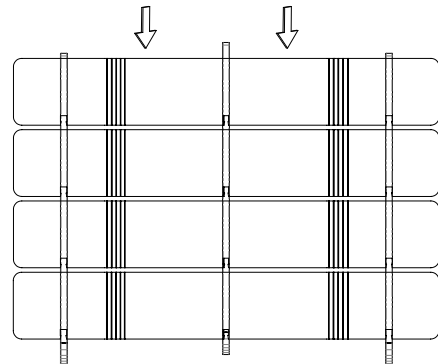


**b.**  
Then continue to slide the remainder of the panel on.

2



**a.**  
Attach the last supports



**b.**  
And then push down the supports, so the panels lock into place.