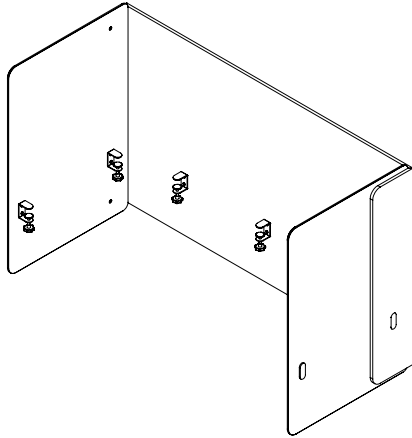


Murri Desk Screen install guide for all sizes.



x1 Murri Modesty Desk Screen





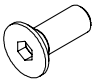
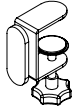
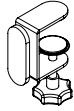
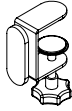
Tools you will need:

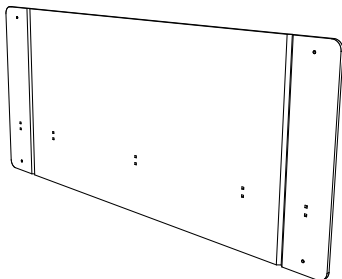
- Phillips head screw driver

Safety protection you will need:

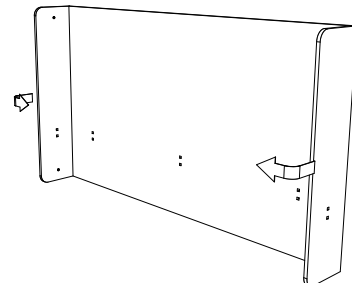
- Safety Glasses

CONTENTS

						
Product size	PET Panel	Acrylic Screen	M6 Screw	0.25" Clamp Bracket	0.5" Clamp Bracket	0.75" Clamp Bracket
47" w x 36" h 1200mm w x 915mm h	1	2	4	2	2	2
48" w x 36" h 1219mm w x 915mm h	1	2	4	2	2	2
55" w x 36" h 1400mm w x 915mm h	1	2	4	2	3	2
60" w x 36" h 11542mm w x 915mm h	1	2	4	2	3	2
63" w x 36" h 1600mm w x 915mm h	1	2	4	2	3	2
72" w x 36" h 1828mm w x 915mm h	1	2	4	2	3	2
70" w x 36" h 1800mm w x 915mm h	1	2	4	2	3	2

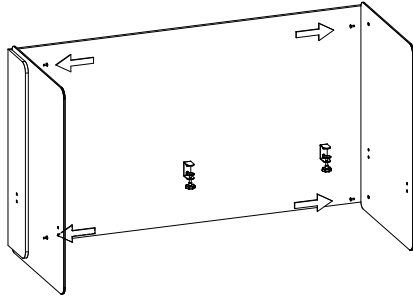


a.
Open box and check contents

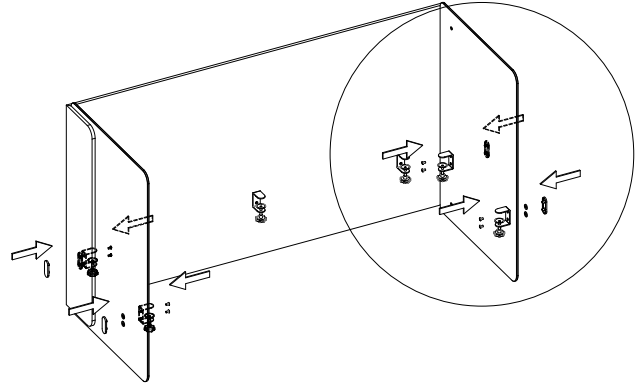


b.
Fold side flap on PET Panel.

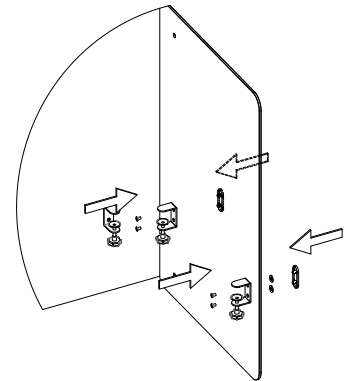
2



a.
insert acrylic panels and
screw in M6 screw.

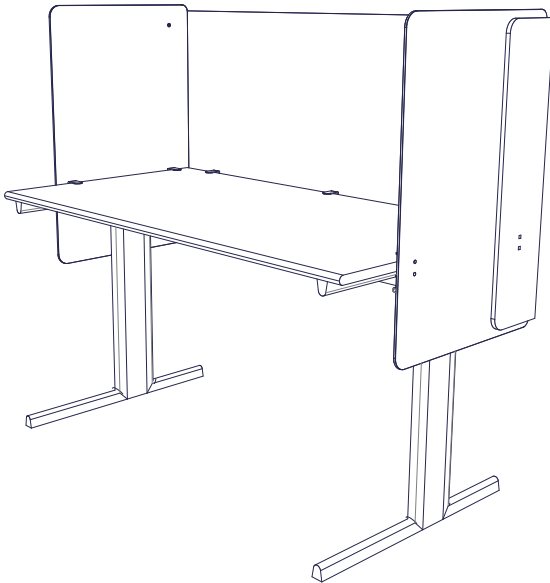


b.
Then insert brackets
into position.



c.
Tighten bolt and ensure
mount is straight

3



a.
Murri Screen is ready to be
mounted to the desk.