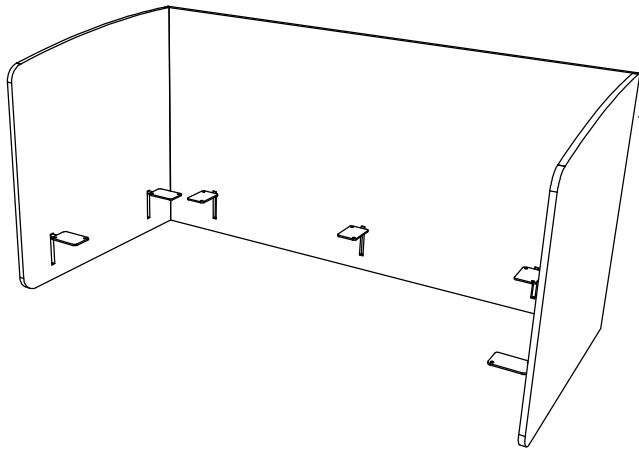
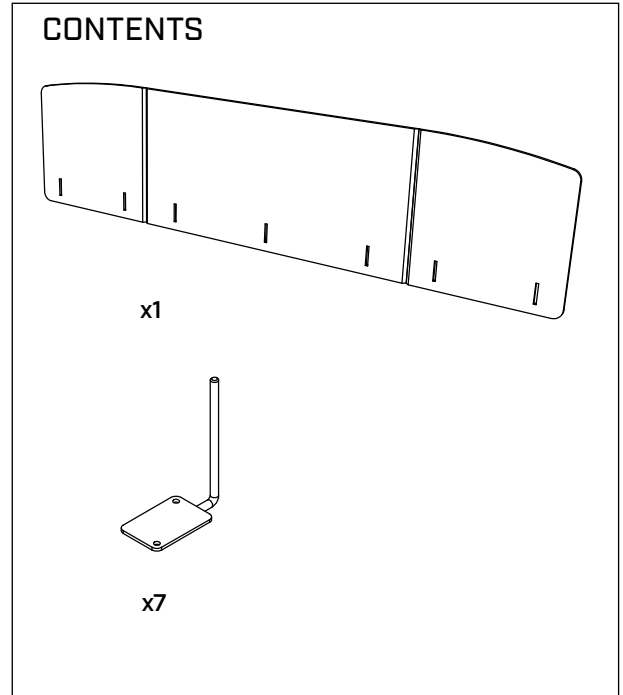


Tanah desk screen install guide



x1 Tanah desk screen

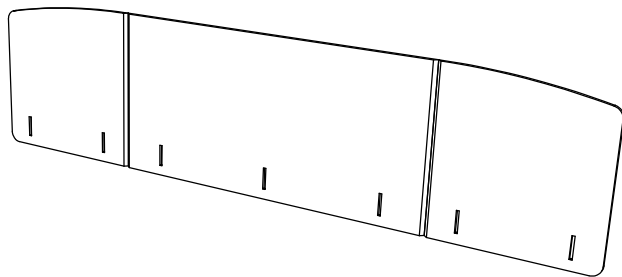


Safety protection you will need:

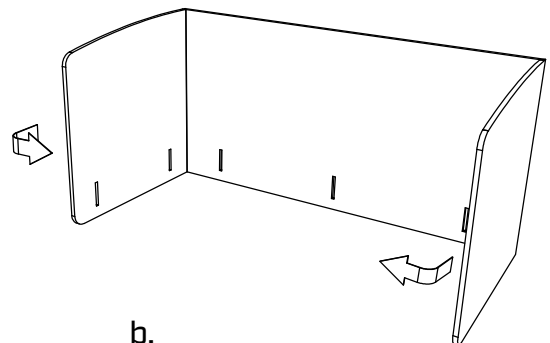
- Safety glasses

Tools you will need:

- Phillips head screw driver
- x14 screws

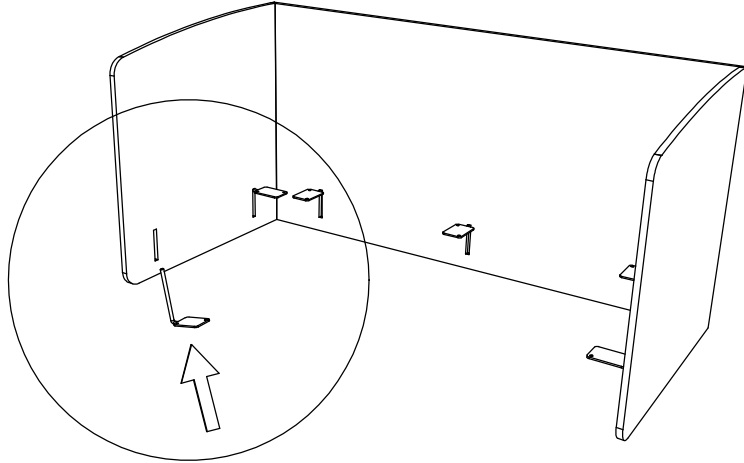


a.
Open box and check contents

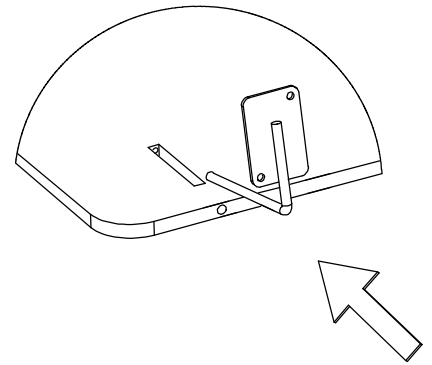


b.
Fold side flap on PET Panel.

2

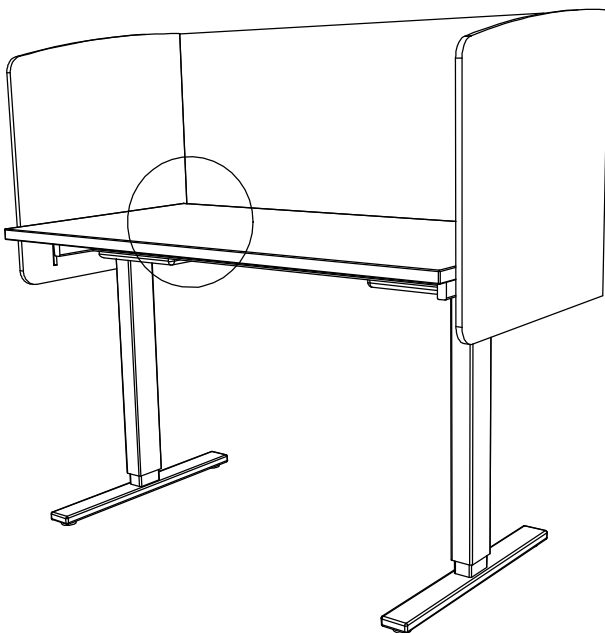


a.
insert mounts into position.

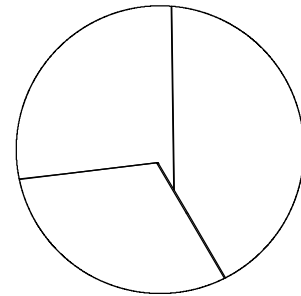


b.
Insert into position and ensure
mount is straight

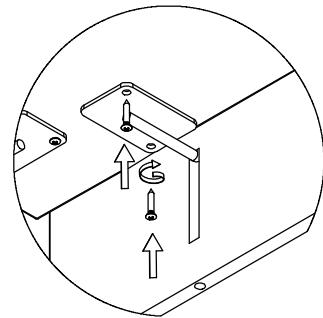
3



a.
Tanah screen is ready to be
mounted to the desk.



b.
Leave the gap of (16mm / 0.63")
for cable management if required



c.
IMPORTANT:
Select right length screws and fix the
screen with a phillips head screw driver.