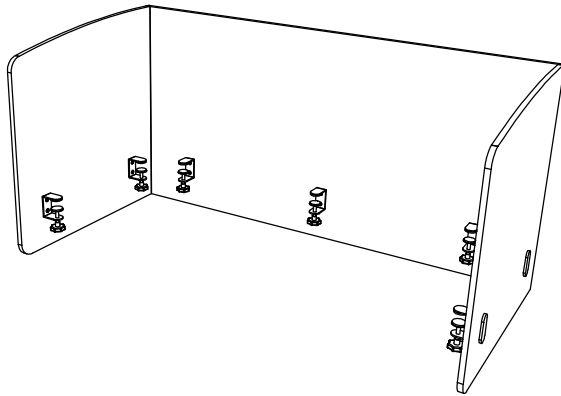
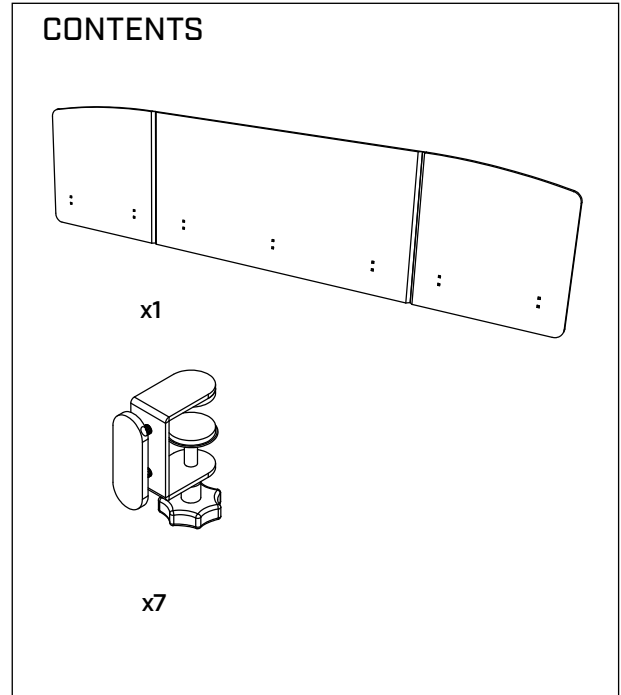


Tanah desk screen install guide



x1 Tanah desk screen

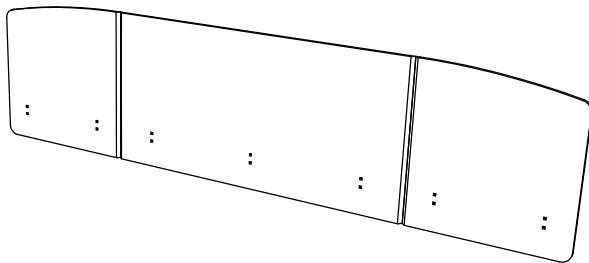


Safety protection you will need:

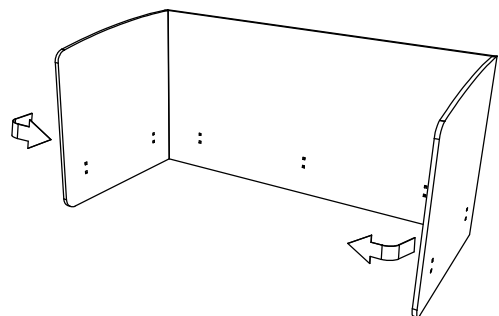
- Safety glasses

Tools you will need:

- Phillips head screw driver

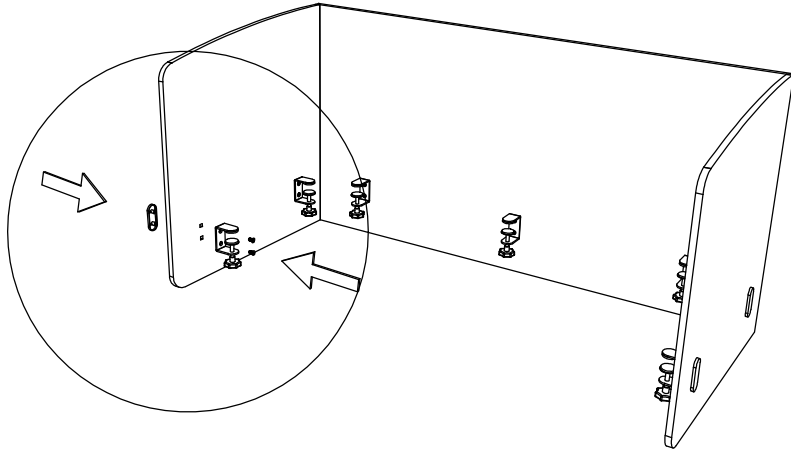


a.
Open box and check contents

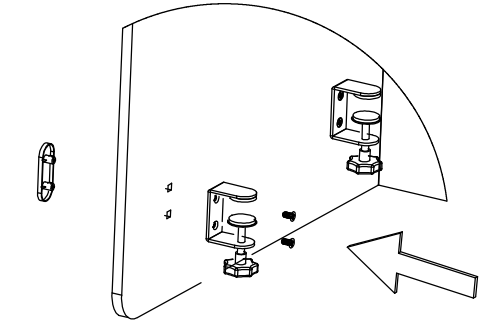


b.
Fold side flap on PET Panel.

2

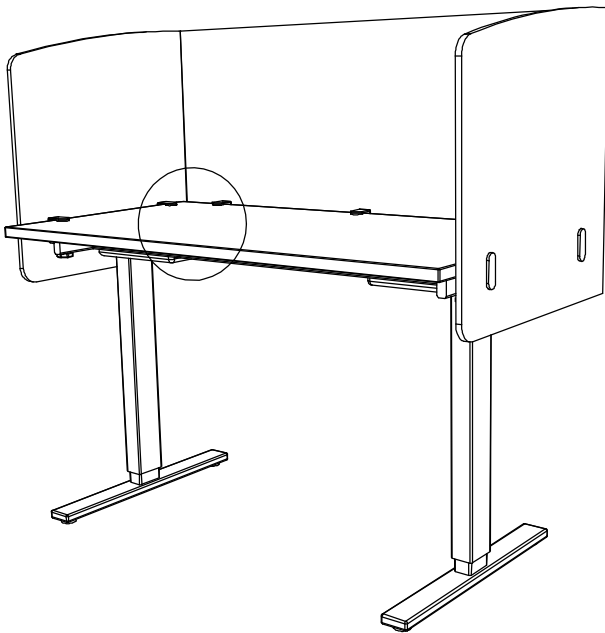


a. insert brackets into position.

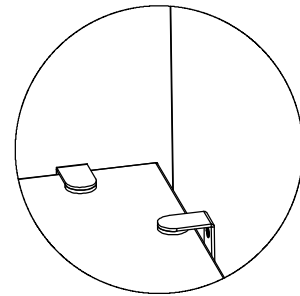


b. Tighten the bolts and ensure mount is straight

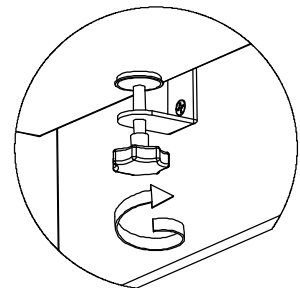
3



a. Tanah screen is ready to be mounted to the desk.



b. Leave the gap of [16mm / 0.63"] for cable management if required



c. Tighten the knob