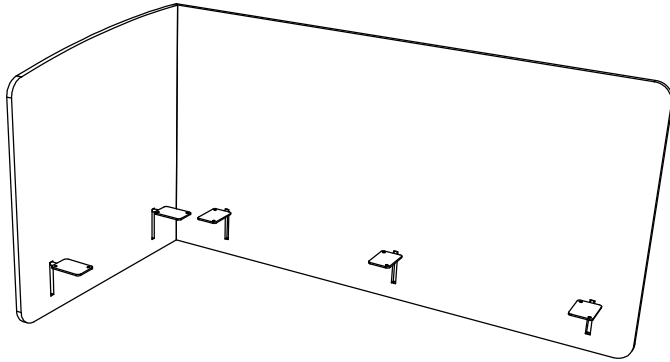
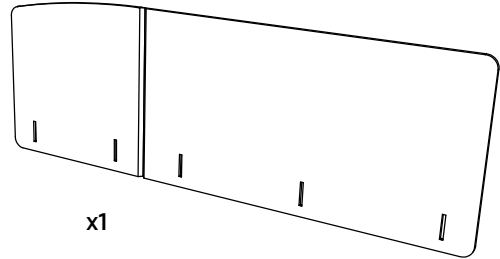


#### Tanah desk screen install guide

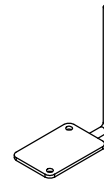


x1 Tanah desk screen

#### CONTENTS



x1



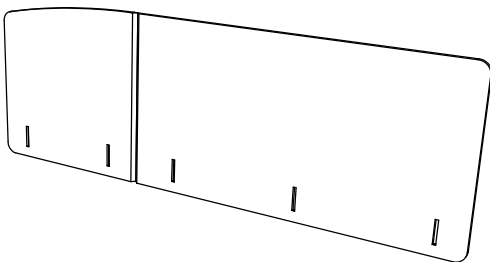
x5

#### 0 **Safety** protection you will need:

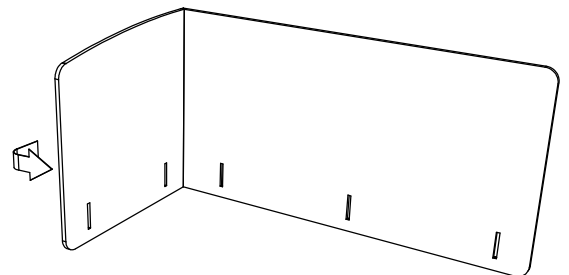
- Safety glasses

#### Tools you will need:

- Phillips head screw driver
- x10 screws

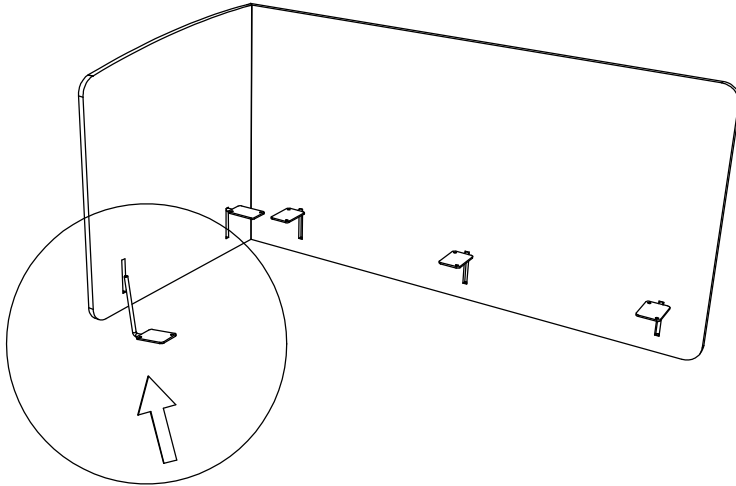


1  
a.  
Open box and check contents

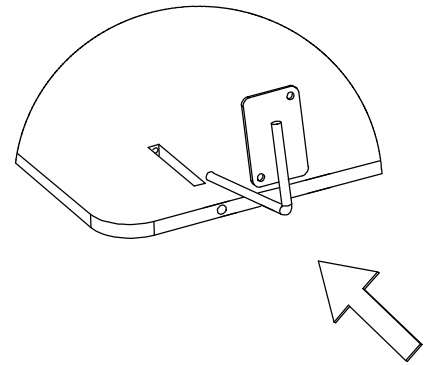


b.  
Fold side flap on PET Panel.

2

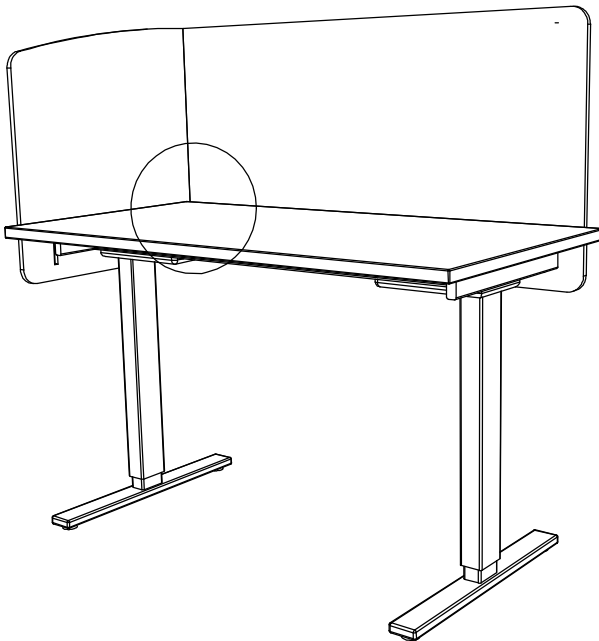


a.  
insert mounts into position.

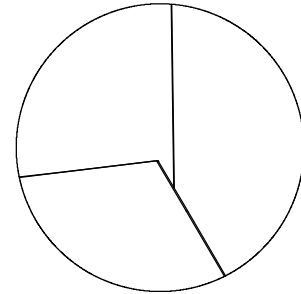


b.  
Insert into position and ensure  
mount is straight

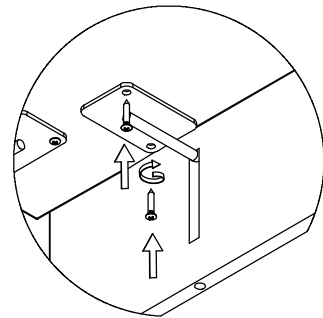
3



a.  
Tanah screen is ready to be  
mounted to the desk.



b.  
Leave the gap of (16mm / 0.63")  
for cable management if required



c.  
**IMPORTANT:**  
Select right length screws and fix the  
screen with a phillips head screw driver.