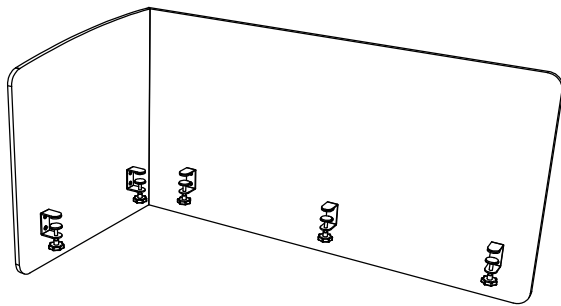
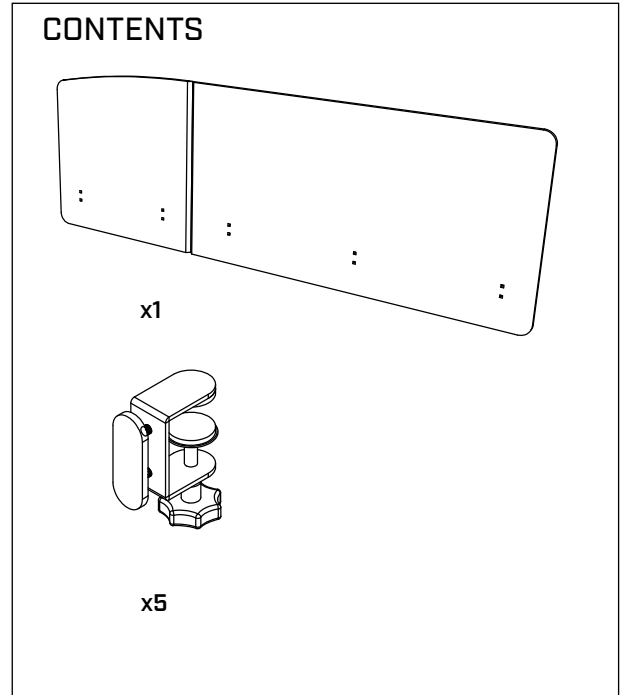


Tanah desk screen install guide



x1 Tanah desk screen

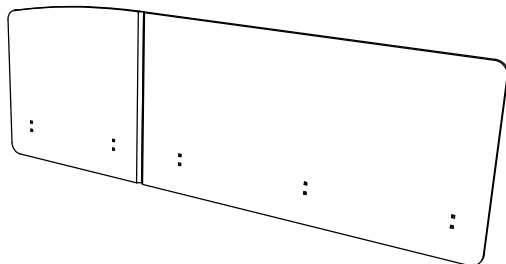


0 **Safety** protection you will need:

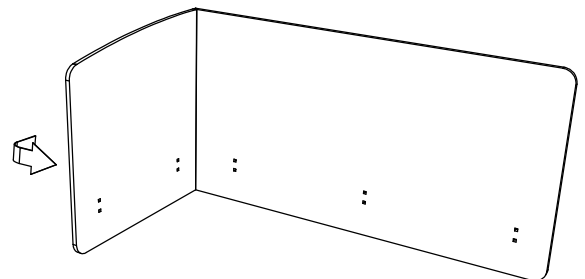
- Safety glasses

Tools you will need:

- Phillips head screw driver

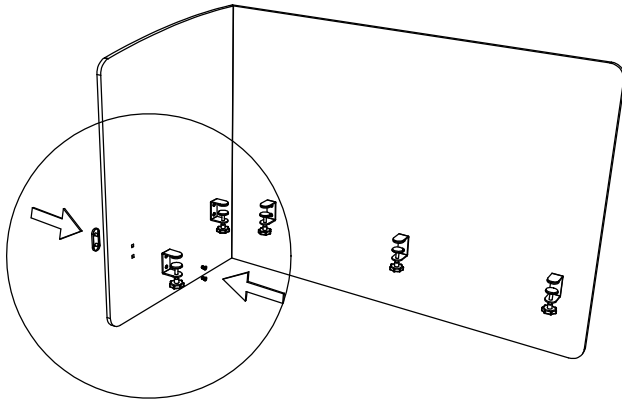


a.
Open box and check contents

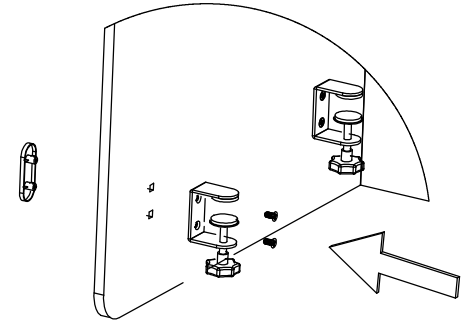
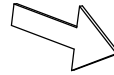


b.
Fold side flap on PET Panel.

2

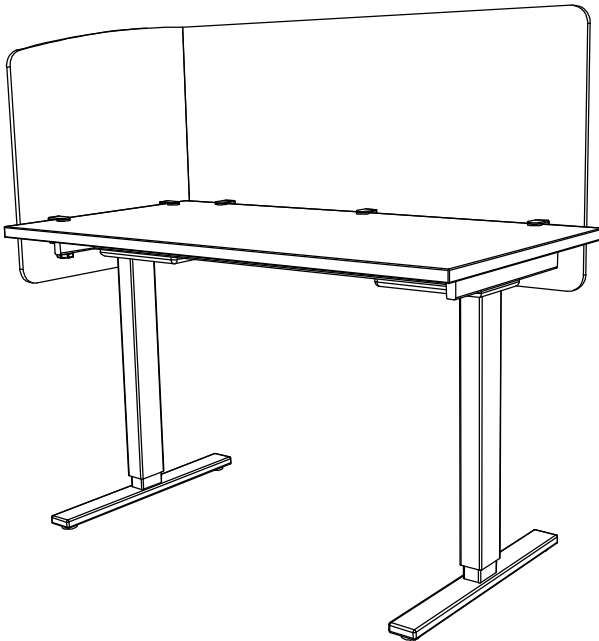


a.
insert brackets into position.

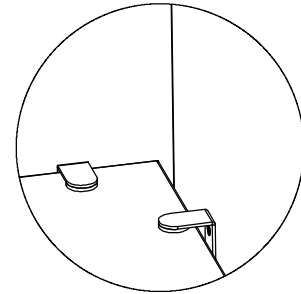


b.
Tighten the bolts and ensure
mount is straight

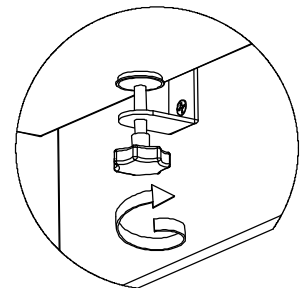
3



a.
Tanah screen is ready to be
mounted to the desk.



b.
Leave the gap of (16mm / 0.63")
for cable management if required



c.
Tighten the knob