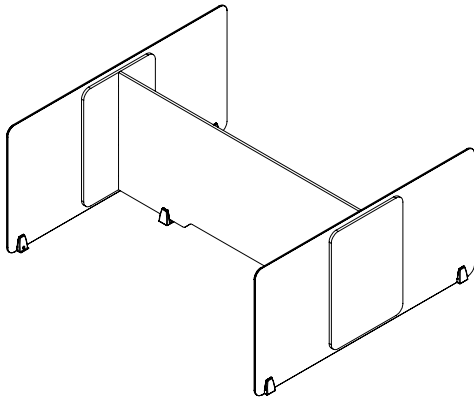
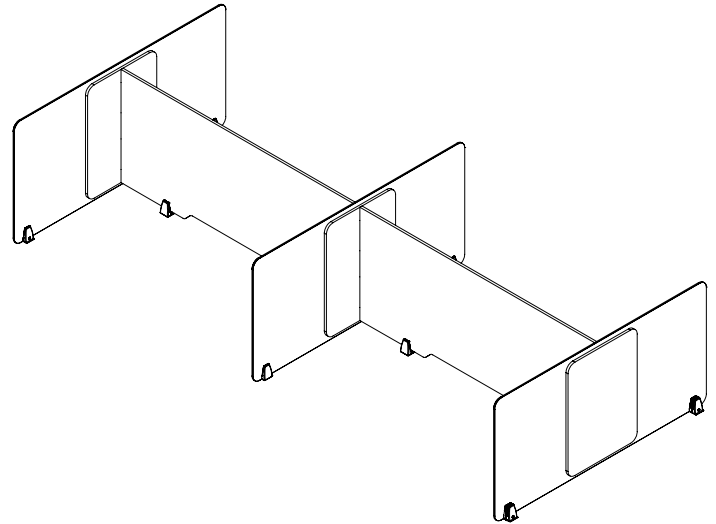


Unna Desk Screen install guide for all sizes.  
[Shown various configurations below]



OR



x1 Unna Desk Screen

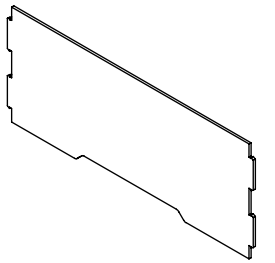
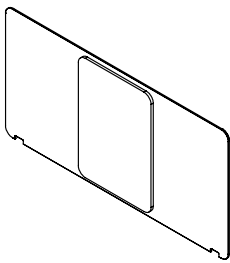
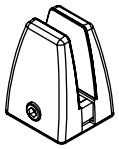
**Tools you will need:**

- Phillips head screw driver

**Safety** protection you will need:

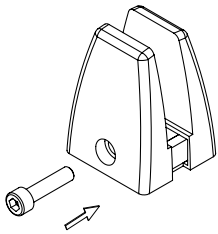
- Safety Glasses

0

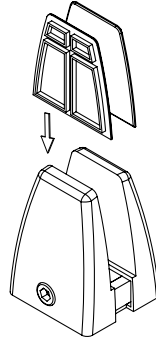
			
Product size	Back Panel	Side Panel	Desk Clamp
54"w x 48"h   1372mm w x 1219.2mm h	1	2	5
110"w x 48"h   2794mm w x 1219.2mm h	2	3	10
165"w x 48"h   4191mm w x 1219.2mm h	3	4	14

[Side panels will be either Acrylic or Acoustic PET, depending on your order]

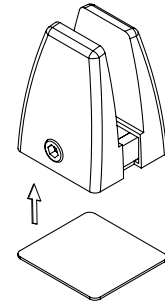
2



a. Insert bolt and loosely tighten.

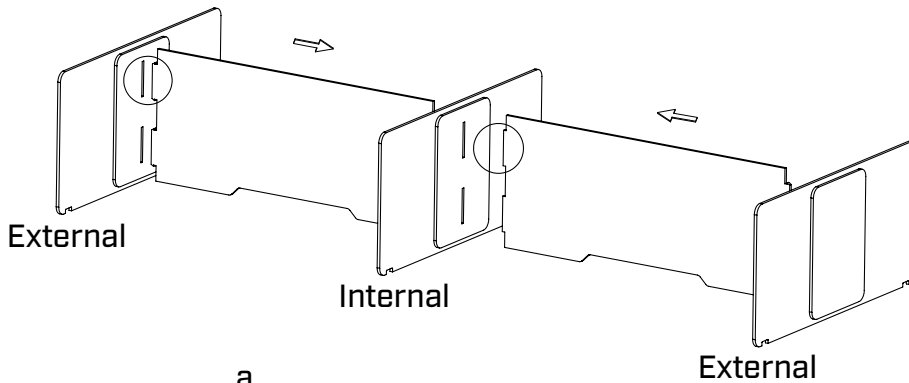


b. Slide shims into place

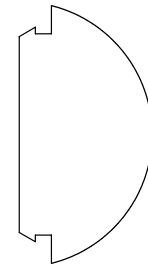


c. Apply double sided tape to the bottom of the clamp.

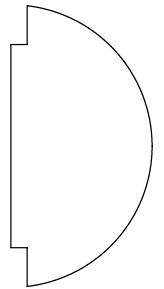
2



a. Insert side panels into each other. Check ends!

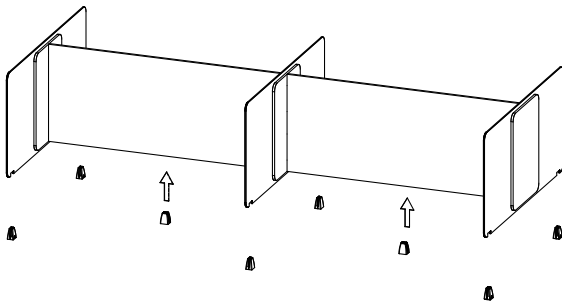


This end type goes into the external side panels

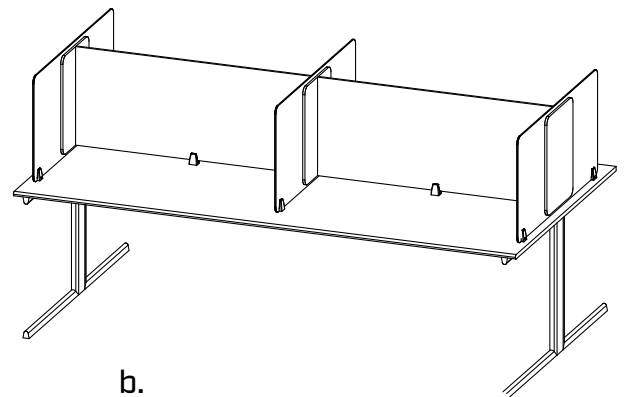


This end type goes into the internal side panels

3



a. Insert Clamps onto assembled Unna Desk Screen



b. Remove Double sided tap and place into position on the desk