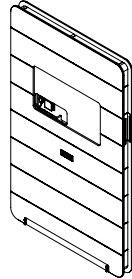
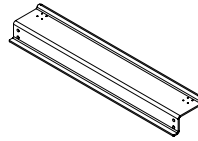


x1 Cooee Monitor Wall

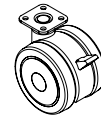
**CONTENTS FOR Cooee Monitor Wall**



x1  
Monitor Wall



x2  
Metal Base  
Plates



x4  
Lockable  
Castors



x16  
M4 Countersunk  
Bolts



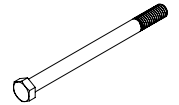
x4  
3/8" Flange Nut



x16  
M4 Flange Nut



x8  
3/8" Washer



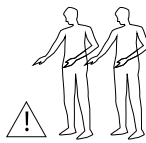
x4  
3/8" 5" Long  
Hex Bolt

0

**CAUTION**

- Clear open space for install
- May need need a sturdy table.
- + 65lbs lift required

**Tools you will need:**



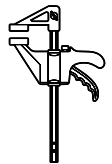
Two Person  
Install



7mm Spanner



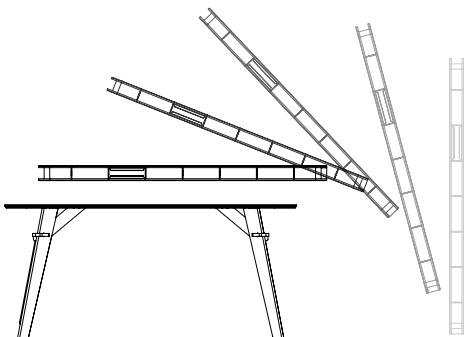
15/16" Spanner



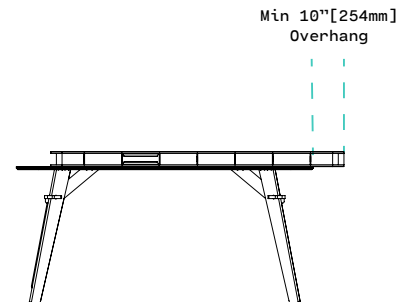
Quick grip

1

2 Person Lift

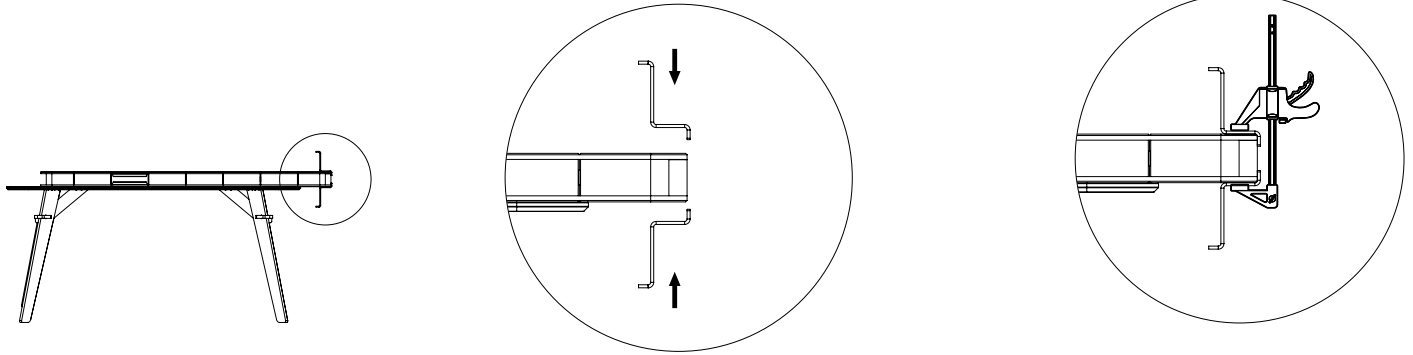


a.  
Lay Monitor wall on table.



b.  
Hang bottom end off the table  
to allow for base assembly.

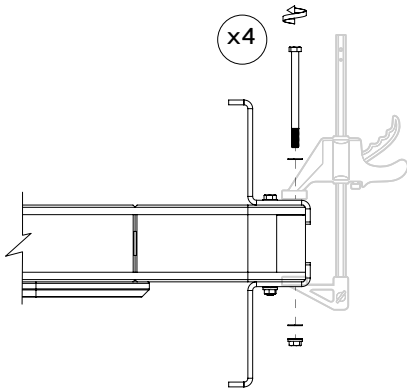
2



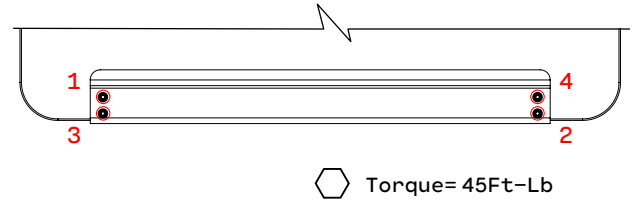
**a.**  
Lay metal bases on Monitor Wall.

**b.**  
Clamp with quick grip.  
Ensure Holes are aligned.

3

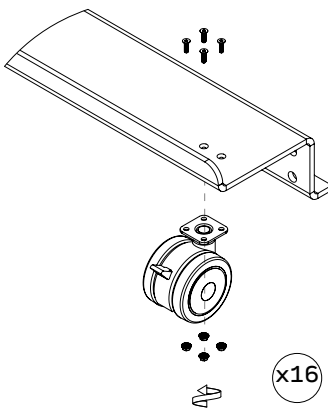


**a.**  
Insert 3/8 bolt, Washer and Flange Nut.  
Ensure all bolts are in the same direction

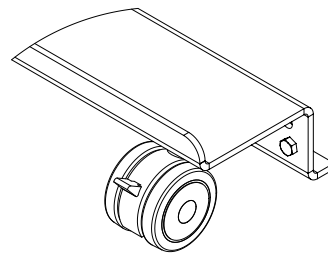


**b.**  
Clamp with quick grip. Tighten bolts in order and repeat to prevent one bolt tighter than the other.  
Ensure Hole's are aligned.

4



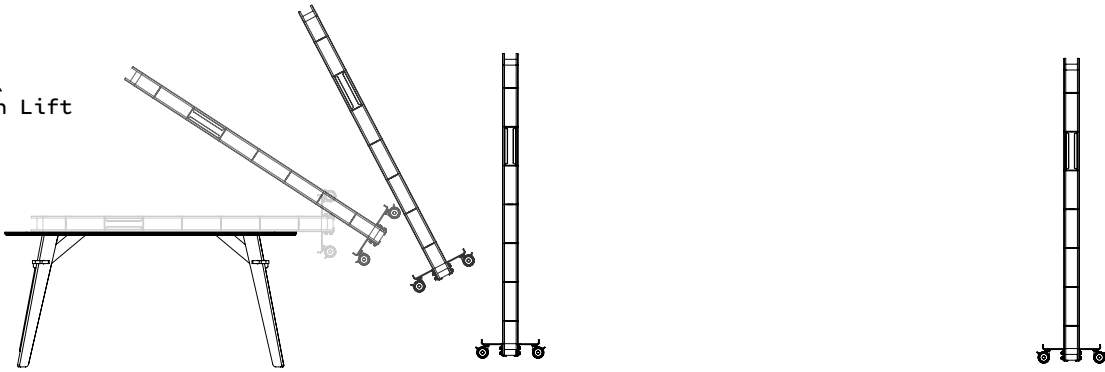
**a.**  
Insert countersunk bolts, castors and M4 Flange nuts then tighten with 7mm Spanner.  
Repeat for all bolts



**b.**  
Ensure all bolts and castor's are secure

5

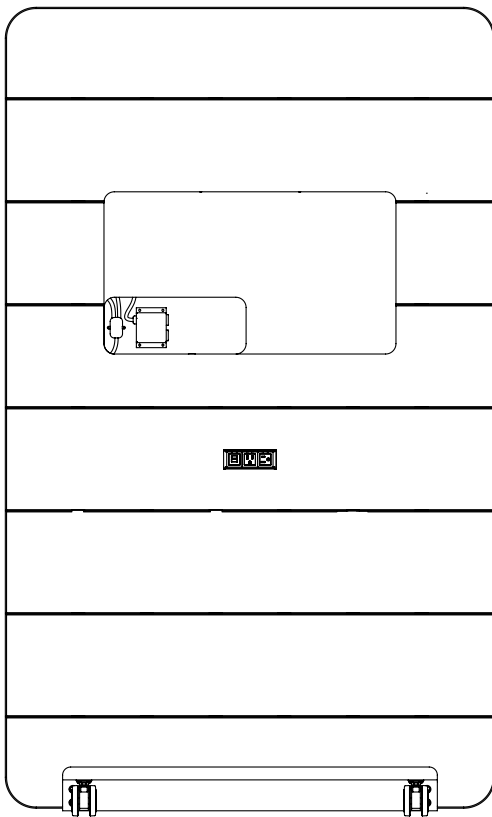
⚠  
2 Person Lift



a.  
Lift Monitor Wall onto the ground.

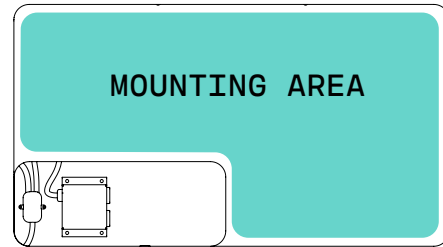
b.  
Stand up and ensure Tool is able to move and castors can be locked.

6

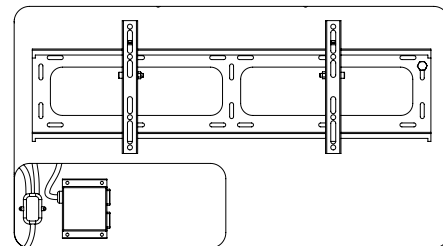


x1 Assembled  
Cooee Monitor Wall

**DISCONNECT POWER BEFORE DRILLING**

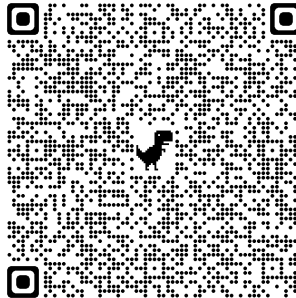


a.  
Mount Fixed TV Mount in the Blue area above.  
Avoid damaging cables while drilling or screwing.  
Mounting screws must not exceed 1.5in long.



b.  
Typical TV Mount shown above (this is a representation only).

**RECOMMENDED TV MOUNT.**

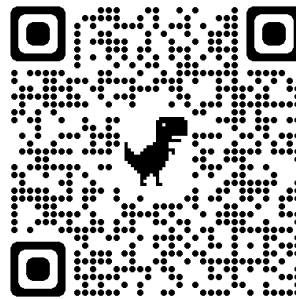


Scan the QR with your smart phone

**Requirements**

Size (mounting area)	
Max Width	26in[660mm]
Max Height	8in[203m]
Max Depth	1.5in[38.1mm]
Weight	
Max Weight	6.6lbs[3kgs]

**TV MOUNT INSTALLATION  
GUIDE**



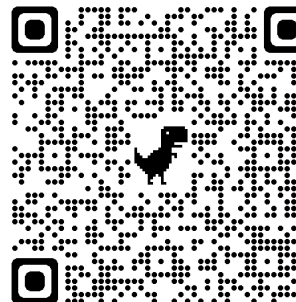
Scan the QR with your smart phone

**Requirements**

Installer to use TV mount screws and bolts provided by the TV Mount manufacturer.

TV mount is be installed onto 0.5in-[12.7mm] MDF construction. Installer should follow TV Mount Instruction supplied by Manufacturer.

**RECOMMENDED SMART TV**



Scan the QR with your smart phone

**Requirements**

Size (50in TV)	
Max Width	44in[1117.6mm]
Max Height	27.8in[706.12m]
Max Depth	1.5in[38.1mm]
Weight	
Max Weight	21lbs[9.5kgs]



**CAUTION & WARNING STATEMENT.**

- Ensure wheel are locked and stationary when attaching TV Mount & Accessories.
- Monitor Wall must be stored/displayed on level surface.
- Monitor Wall has internal wiring and live power when plugged in.
- Do not screw or drill anywhere unless stated on the Func Assembly guide.
- Recommend TV Mount to be as slim as possible to reduce chances of tipping.
- Escape routes must no be blocked.
- Disconnect Power when moving
- Move slowing, especially when crossing door thresholds etc.
- Ensure all cables have no loops and are out of foot traffic. (No trip hazards)
- Do not load one side of the wall heavy accessories, as it increase the chance of tipping.
- Mount screws should be no longer than 1.5in[38.1]