

# Verge Range

botton + gardiner's functional and economical Verge range of outdoor furniture combines practical function with rugged durability and a classic aesthetic. Available in three different frame finishes and three different batten types, offering reliable durability and versatility to suit your project's specific environment, usage and budget.

## PRODUCT DETAILS

**Battens** Hardwood, Duraslat™ or Satin clear anodised aluminium  
**Frame** Hot-dip galvanised mild steel or 316 grade stainless steel  
**Optional finish** Powdercoated  
**Fixing** Surface fixed or core-hole fixed

## BATTENS:

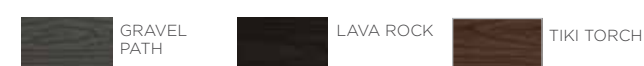
### AUSTRALIAN HARDWOOD



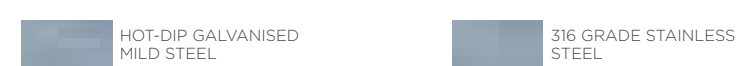
### DURASLAT™ BRUSHED



### DURASLAT™ GRAIN



## FRAME



## POWERCOATS BOTTON + GARDENER



MADE IN AUSTRALIA

5 YEAR WARRANTY

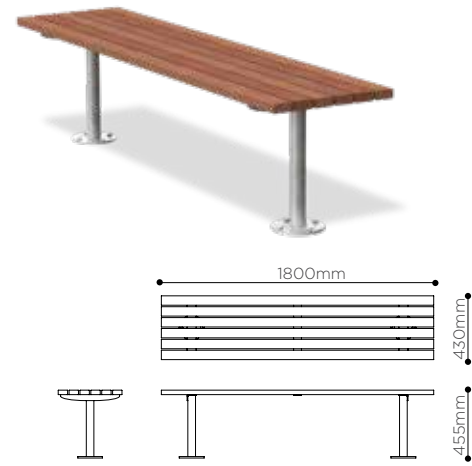
SUITABLE FOR OUTDOOR

UV STABLE



Surface fixed option shown  
 Also available in core-hole fixed

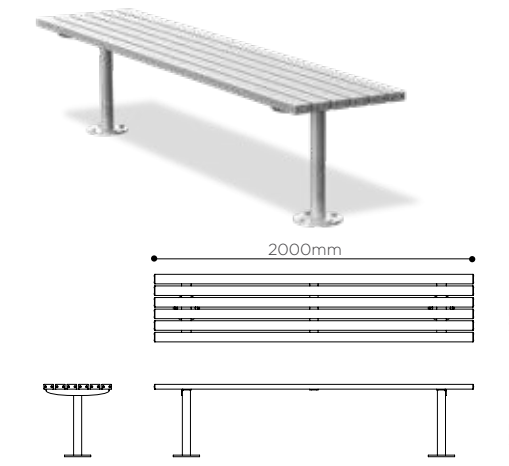
VERG.B.18.HW.U  
 BENCH WITH HARDWOOD BATTENS



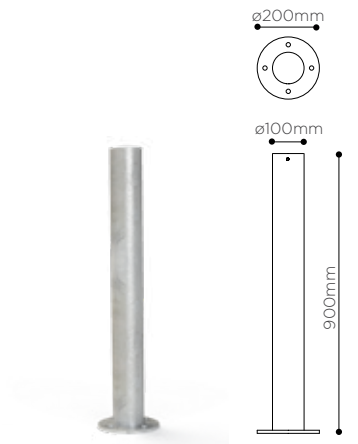
VERG.B.16.DS  
 BENCH WITH DURASLAT™ BATTENS



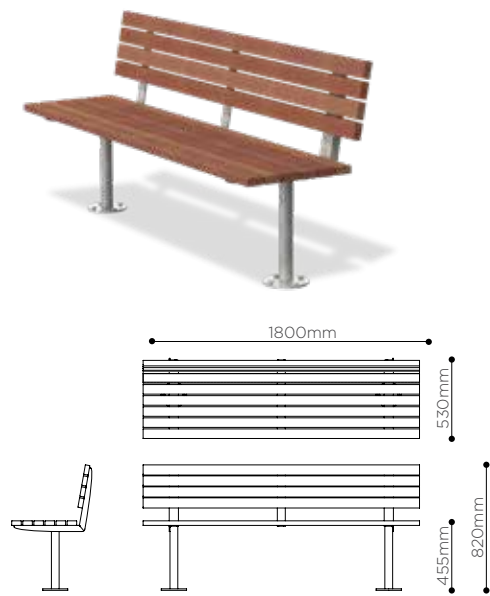
VERG.B.20.AL  
 BENCH WITH ALUMINIUM BATTENS



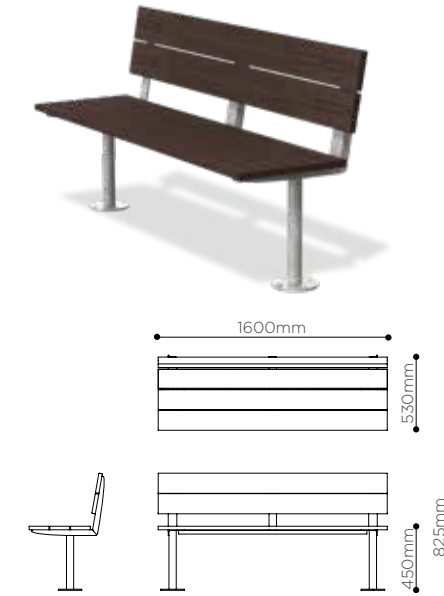
VERG.BL (SURFACE FIXED)  
 BOLLARD IN GALVANISED STEEL  
 AVAILABLE IN CORE-HOLE FIXED



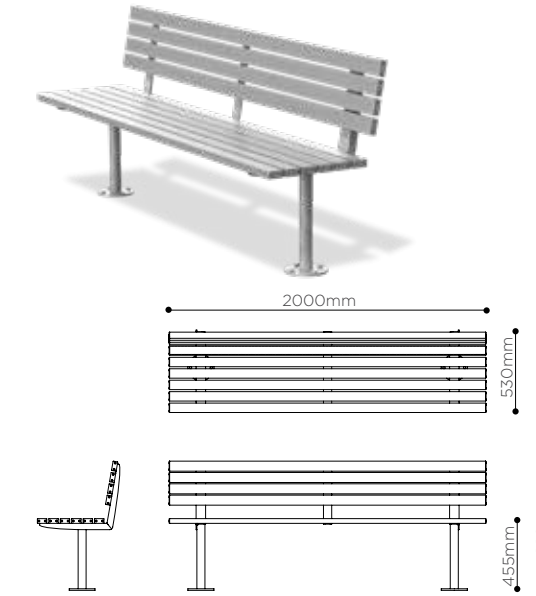
VERG.S.18.HW.U  
 SEAT WITH HARDWOOD BATTENS



VERG.S.16.DS  
 SEAT WITH DURASLAT™ BATTENS



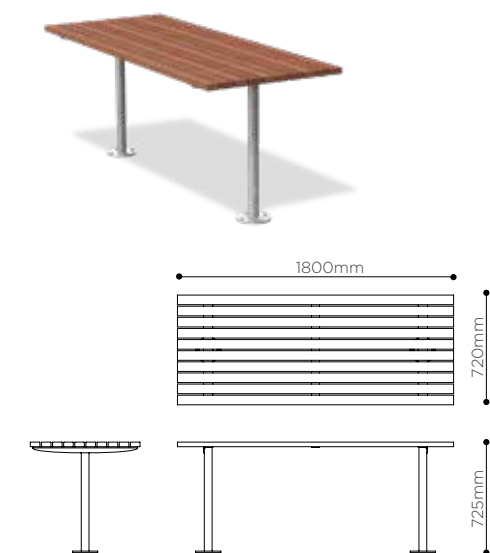
VERG.S.20.AL  
 SEAT WITH ALUMINIUM BATTENS



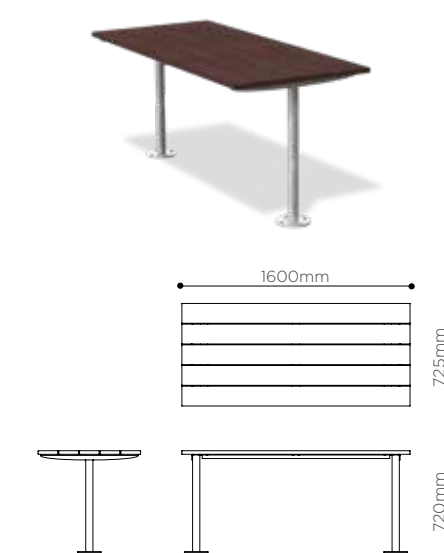
VERGE BIN (SURFACE FIXED)  
 120L BIN RETAINER IN GALVANISED STEEL



VERG.T.18.HW.U  
 TABLE WITH HARDWOOD BATTENS



VERG.T.16.DS  
 TABLE WITH DURASLAT™ BATTENS



VERG.T.20.AL  
 TABLE WITH ALUMINIUM BATTENS

