

x1 Cooee Wall Adjustable Feet

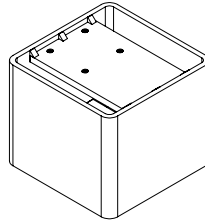


CAUTION

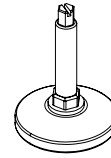
0

- Clear open space for install
- May need need a sturdy table.
- + 65lbs lift required

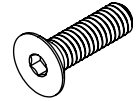
CONTENTS FOR Cooee Wall Adjustable Feet



x1
Adjustable Feet
Housing

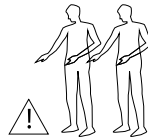


x1
Leveling
Feet



x4
M4 Countersunk
Bolts

Tools you will need:



Two Person
Install



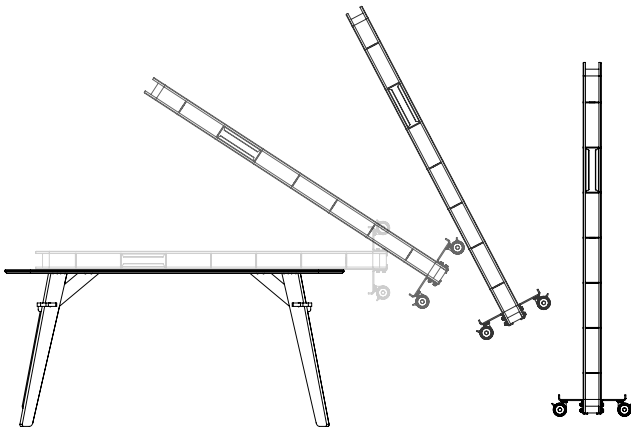
7mm Spanner



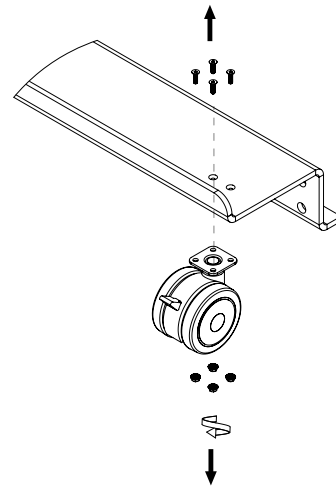
Set of Allen Keys

1

2 Person Lift

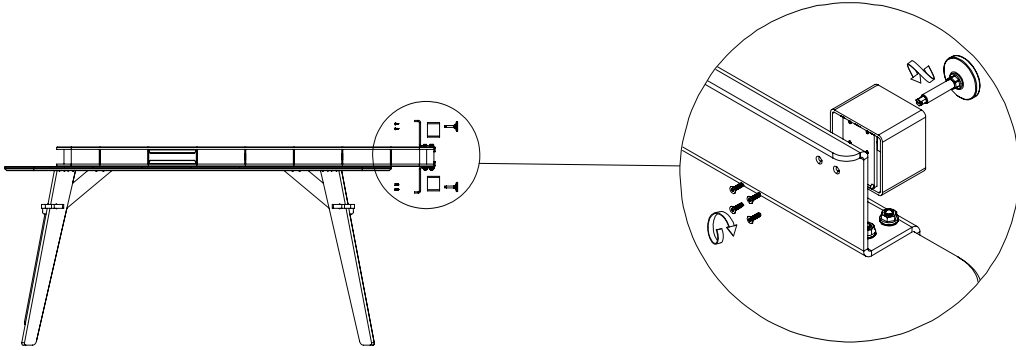


a.
Lay Cooee Wall on table.



b.
Untighten M4 Flange nuts with 7mm Spanner. Remove countersunk bolts, castors and M4 Flange nuts. Repeat for all bolts

2

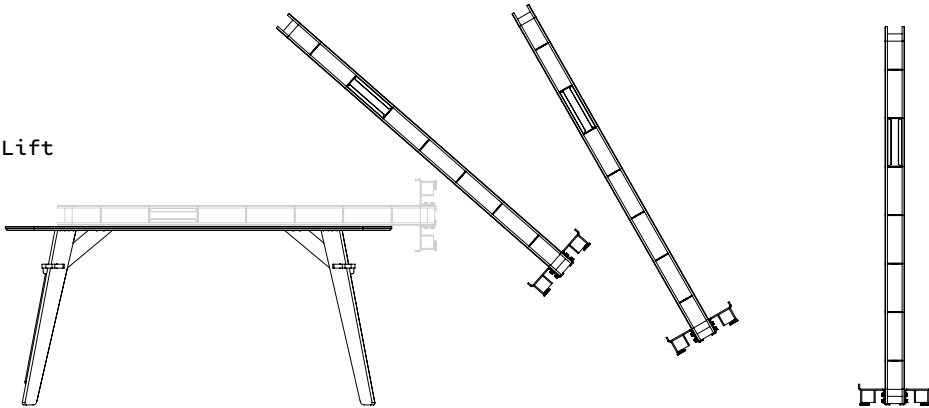


a.
Insert countersunk bolts, adjustable feet housing and then tighten bolts with right sizes Allen Key. Repeat for all bolts

b.
After adjustable feet housing is secure, insert leveling feet. Make sure that leveling feet is longer than the bottom of cooee wall.

3

 2 Person Lift

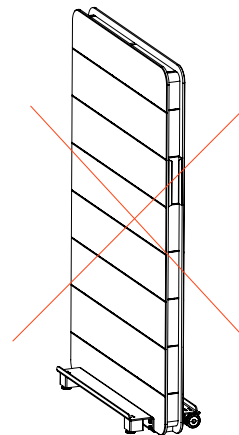


a.
Lift Cooee Wall onto the ground.

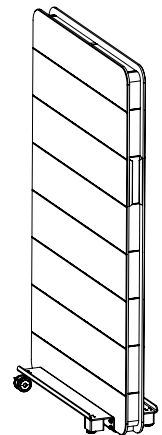
b.
Stand up and ensure Cooee Wall is stable. Adjust leveling feet if needed.

 **CAUTION**

- Cooee Wall Adjustable Feet pack comes as a single Feet.
- Minimum of two Adjustable Feet per Cooee wall required.
- If combination of x2 Castors + x2 Adjustable Feet required. Adjustable Feet must be installed just on short side of Cooee Wall. See pic.



Not Allowed



Allowed