

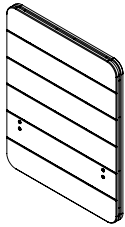
Left Option

or

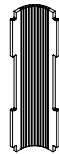
Right Option

x1 Desking Divider

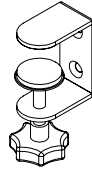
**CONTENTS FOR Desking Divider**



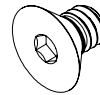
x1  
Cooee  
Desking Divider



x1  
Desk Screen  
Connector

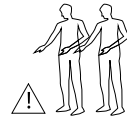


x2  
Clamp Bracket



x4  
Screw - 9.5mm  
[0.375in] Long

**Tools you will need:**



Two Person  
Install



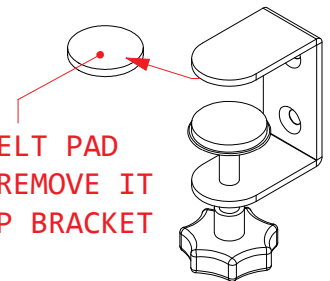
5/32in  
Allen Key



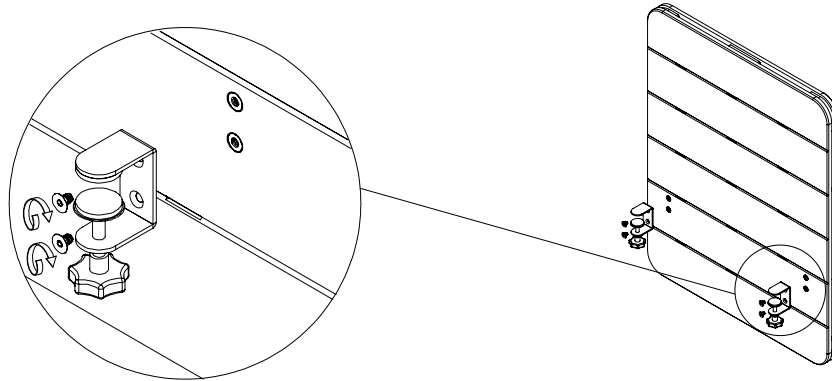
**CAUTION**

- Clear area for install.
- Open box and check the content.
- Check the Clamp bracket and if top felt is found remove it as shown.
- Installer is responsible for installing Cooee Desking Divider correctly as per instructions.

**\*IF TOP FELT PAD  
IS FOUND REMOVE IT  
FROM CLAMP BRACKET**

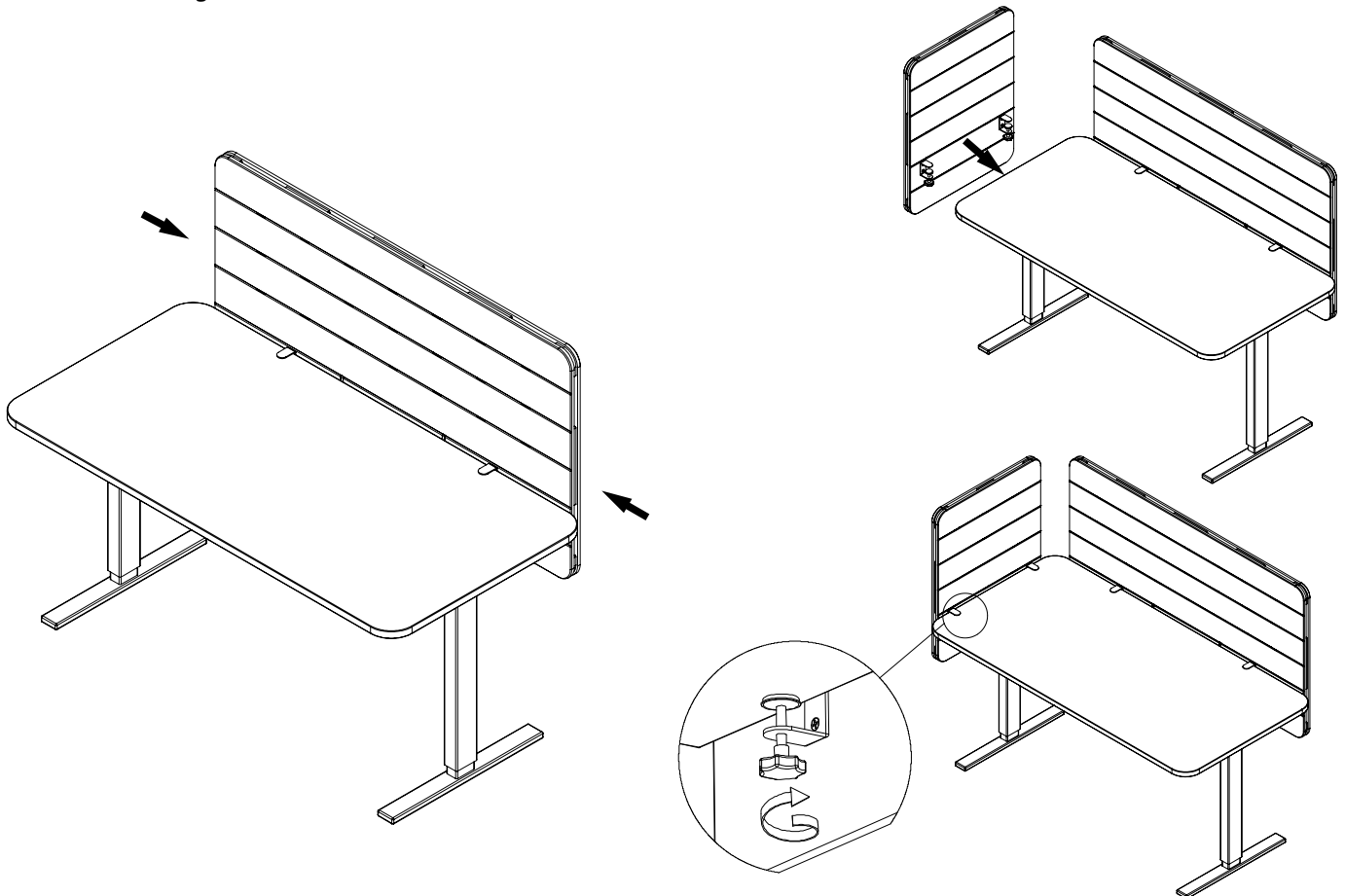


1



Insert Clamp Brackets into position, tighten the screws using 5/32in Allen Key and ensure mount is straight.

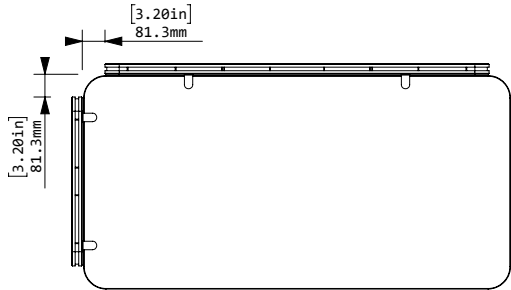
2



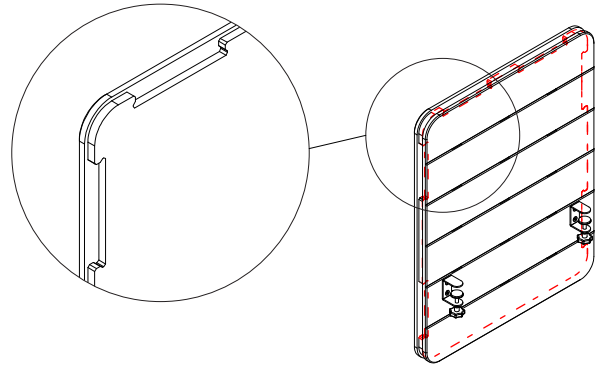
**a.** Cooee Desking Divider is an universal part and can be mounted as a left or right option.

**b.** Select your preferal side and mount Cooee Desking Divider. Tighten the knobs and secure the Desking Divider in desire location.

3

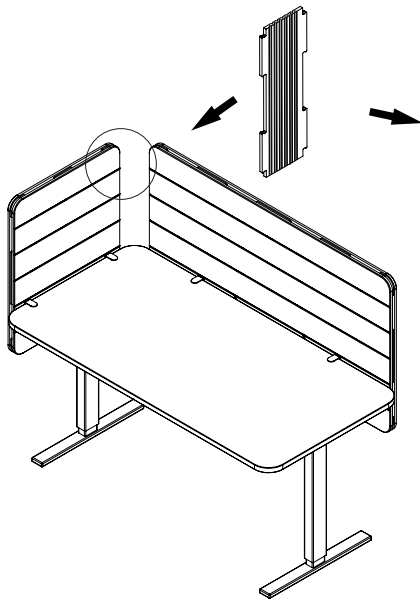


**a.** If Desk Screen Connector will be in use follow the recommended distance between Desking Screen and Divider.

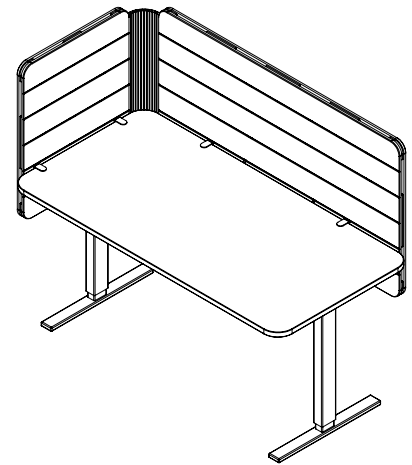
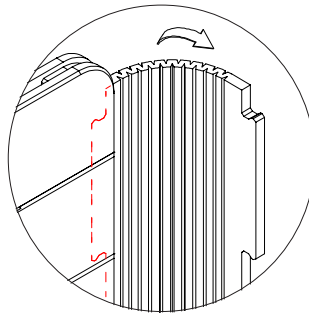


**b.** Desking Divider has a middle layer with special shaped cut-outs for fitting Desking Connector and other accessories.

4



**a.** Insert Desking Connector into the corresponding pre-cut holes located in Desking Divider as shown.



**b.** Bend Desking Connector and repeat same procedure by fitting it to corresponding pre-cut holes located in Desking Screen.