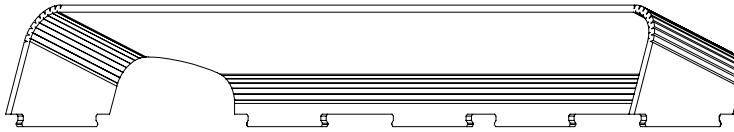


x1 Desking Hood

CONTENTS FOR Desking Hood



x1
Cooee Desking Visor

Tools you will need:



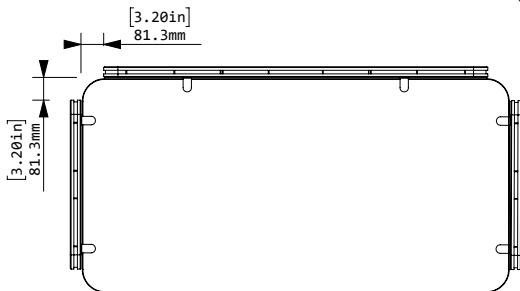
One Person
Install

! CAUTION

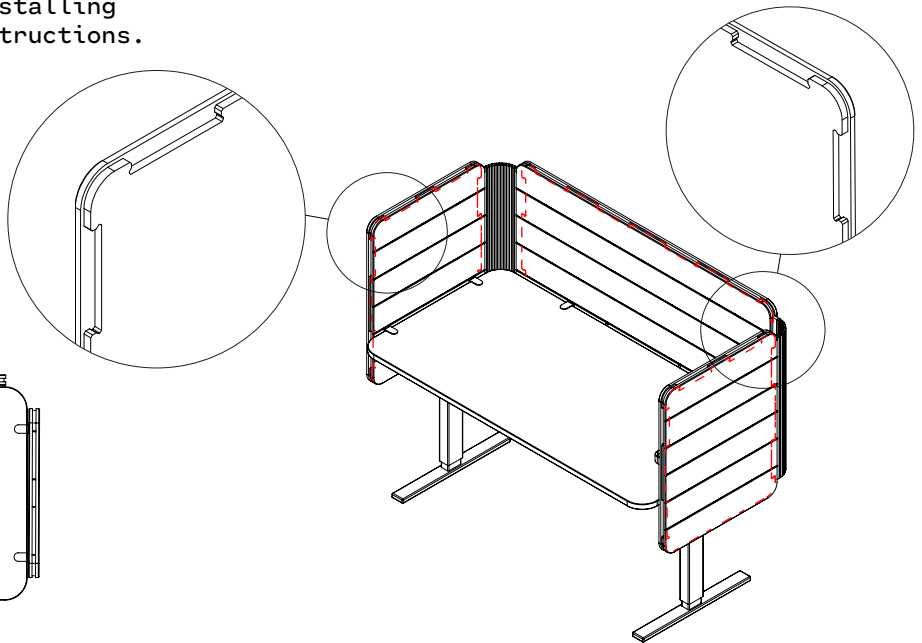
0

- Clear area for install.
- Open box and check the content.
- Installer is responsible for installing Desking Hood correctly as per instructions.

1

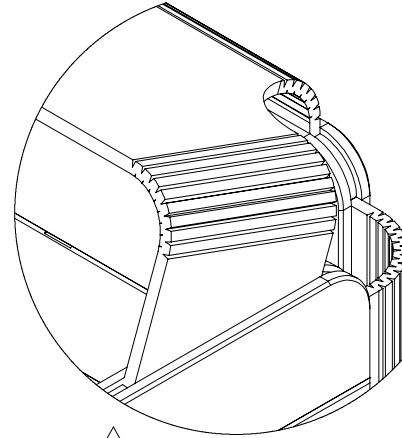
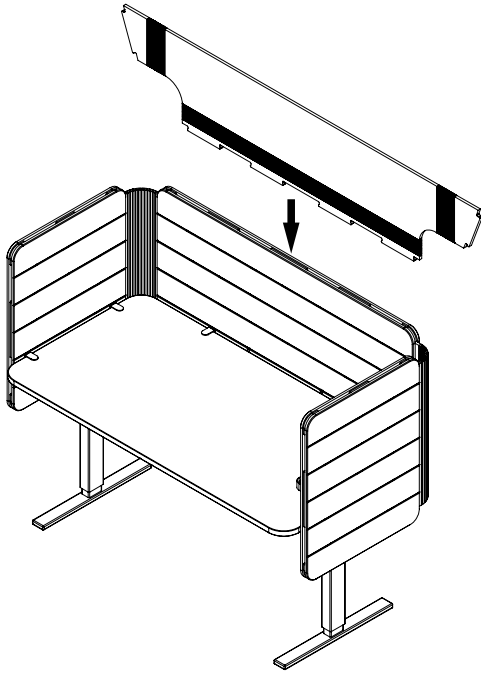


a.
For installing Desking Hood a setup of Desking screen + 2x Desking Dividers is required. Before installing Hood check recommended distance between Desking Screen and Divider.



b.
Desking Screen and Divider has a middle layer with special shaped cut-outs for fitting Desking Hood and other accessories.

2

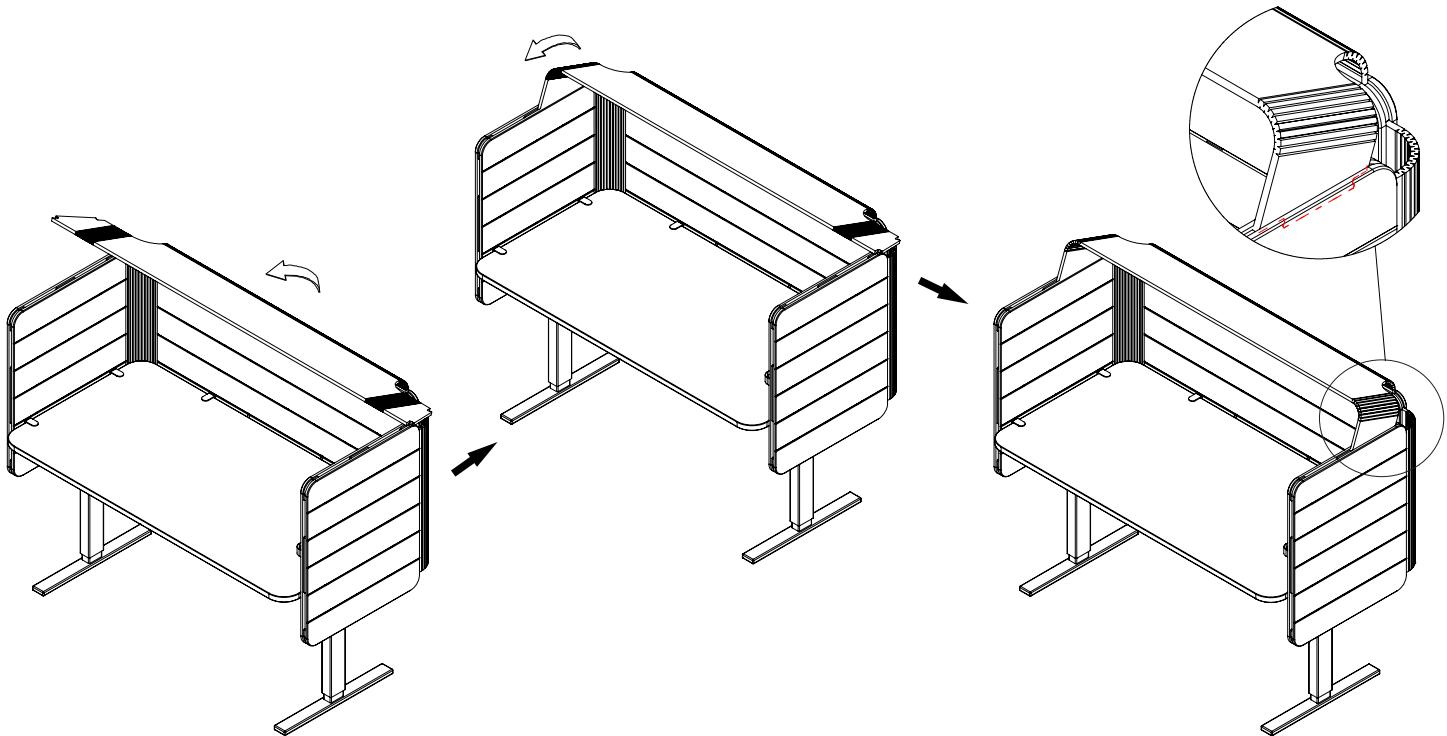


! CAUTION

- Deeper Cut-outs on the Hood has to face outside!

Start the install by inserting Desking Hood into the corresponding pre-cut holes located in Desking Screen as shown. Push Desking Hood till it sits firm and secure.

3



a.

Bend Desking Hood inwards at the same time bend one end of the hood and insert it into the corresponding pre-cut holes located in Desking Divider as shown.

b.

Bend other side of the Desking Hood and repeat same procedure by fitting it to corresponding pre-cut holes located in Desking Divider as shown.