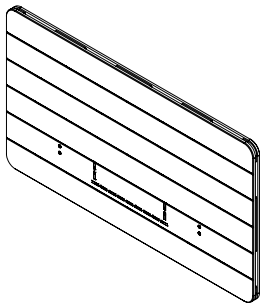
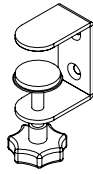


x1 Desking Screen

### CONTENTS FOR Desking Screen



x1  
Cooee Desking Screen

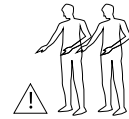


x2  
Clamp Bracket



x4  
Screw - 9.5mm  
[0.375in] Long

### Tools you will need:



Two Person  
Install

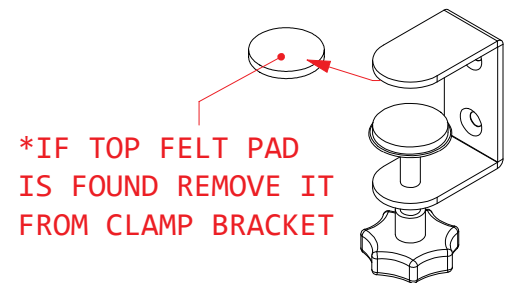


5/32in  
Allen Key

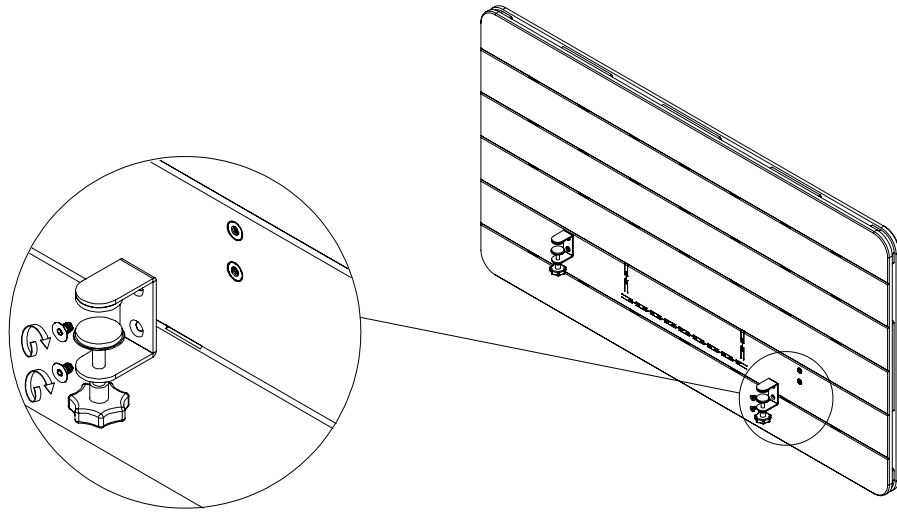


### CAUTION

- Clear area for install.
- Open box and check the content.
- Check the Clamp bracket and if top felt is found remove it as shown.
- Installer is responsible for installing Cooee Desk Screen correctly as per instructions.

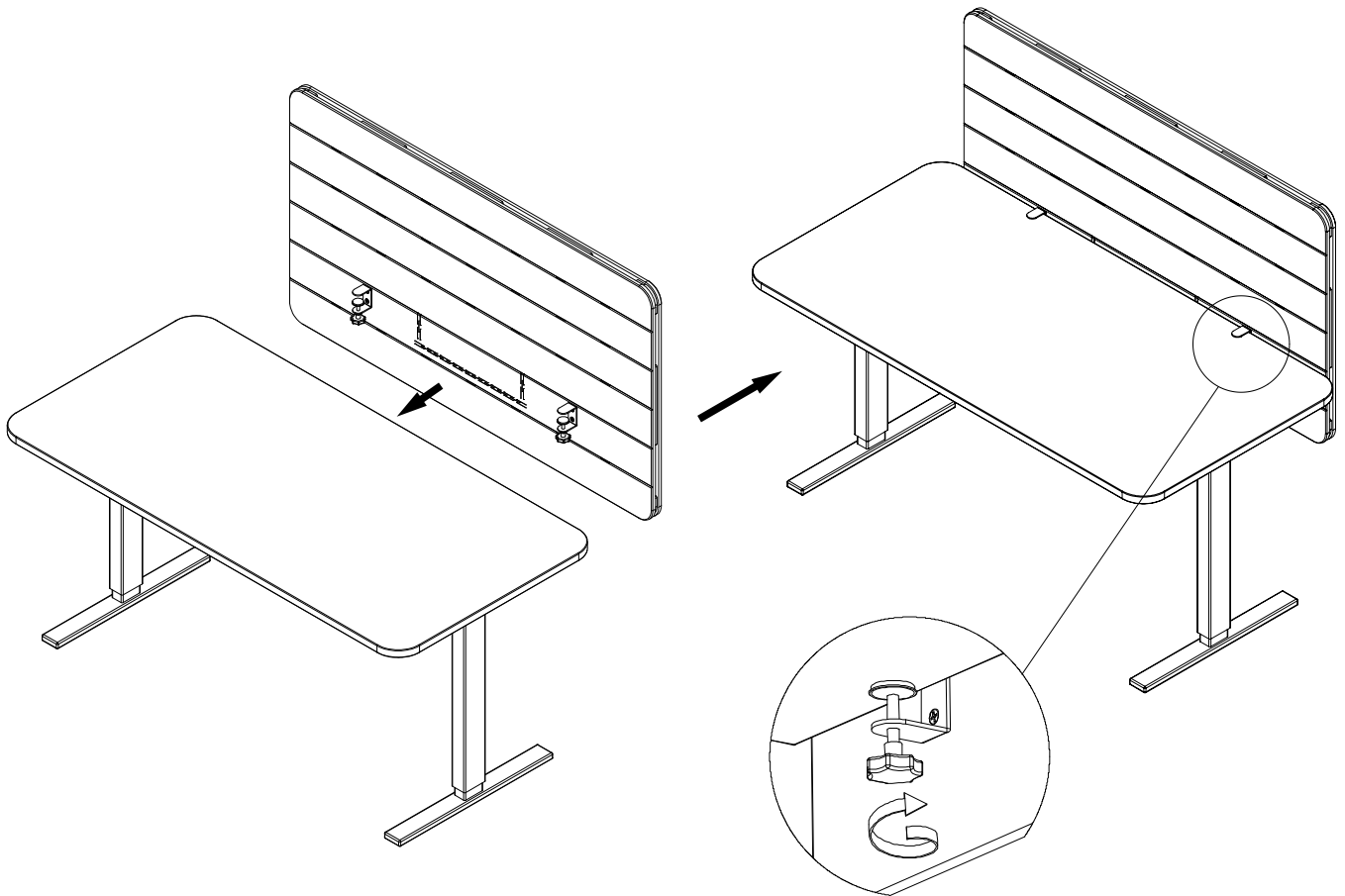


1



Insert Clamp Brackets into position, tighten the screws using 5/32in Allen Key and ensure mount is straight.

2



Cooee Deskling Screen is ready to be mounted on the desk. Tighten the knobs and secure the Desk Screen in desired location.