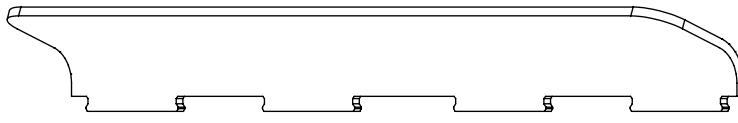


x1 Desking Visor

CONTENTS FOR Desking Visor



x1
Cooee Desking Visor

Tools you will need:



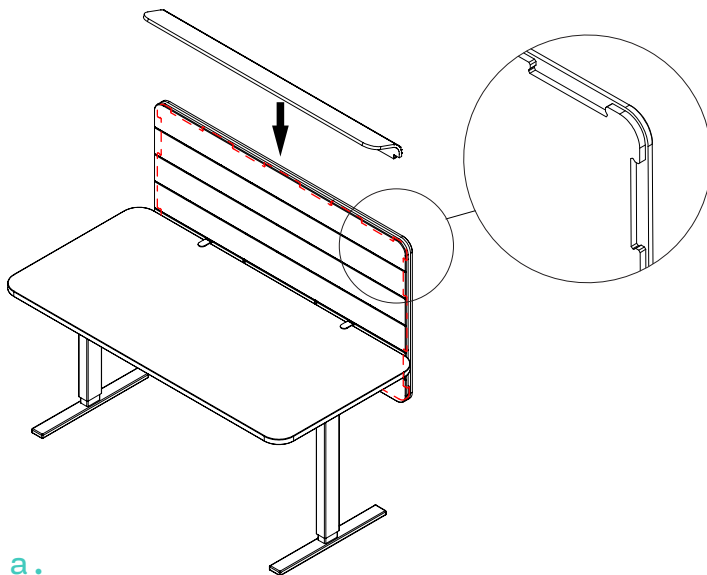
One Person
Install

! CAUTION

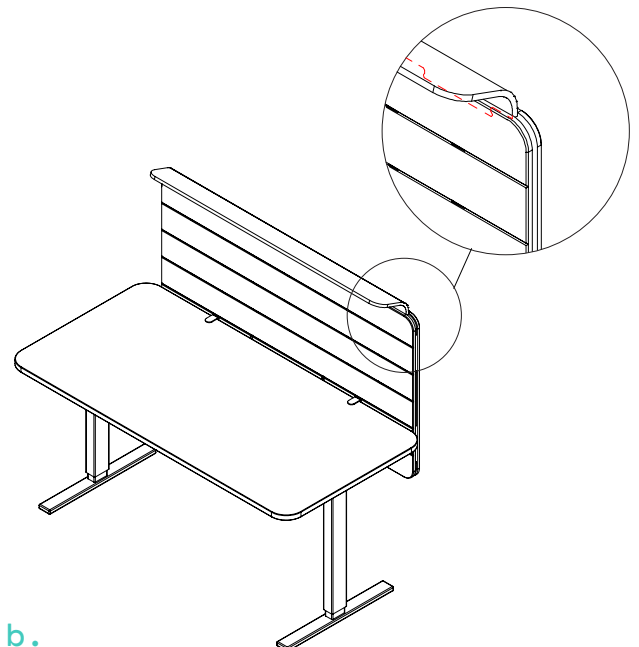
0

- Clear area for install.
- Open box and check the content.
- Installer is responsible for installing Desking Visor correctly as per instructions.

1



a. Desking Screen has a middle layer with special shaped cut-outs for fitting Desking Visor and other accessories.



b. Insert Desking Visor into the corresponding pre-cut holes located in Desking Screen as shown. Push Desking Visor into Desking Screen till it sits firm and secure.