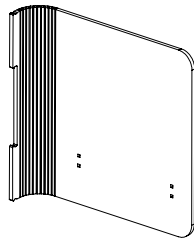


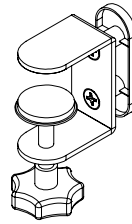
Left Option or Right Option

x1 Desking Wing

**CONTENTS FOR Desking Wing**



x1  
Cooee Desking Wing

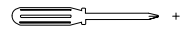


x2  
Clamp Bracket

**Tools you will need:**



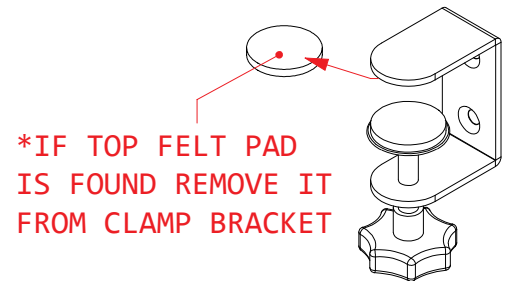
One Person  
Install



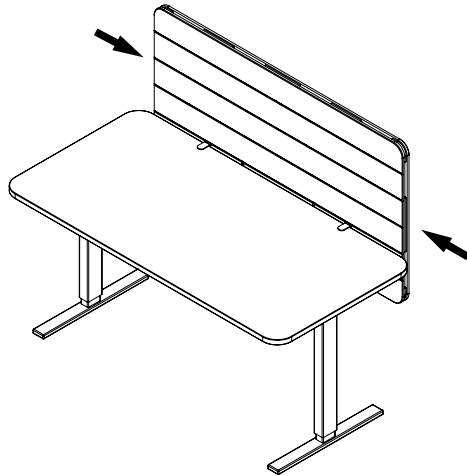
Phillips Head  
Screw Driver

**! CAUTION**

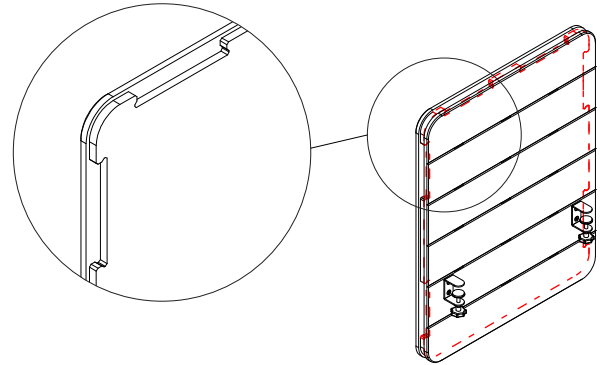
- Clear area for install.
- Open box and check the content.
- Check the Clamp bracket and if top felt is found remove it as shown.
- Installer is responsible for installing Cooee Desking Wing correctly as per instructions.



1

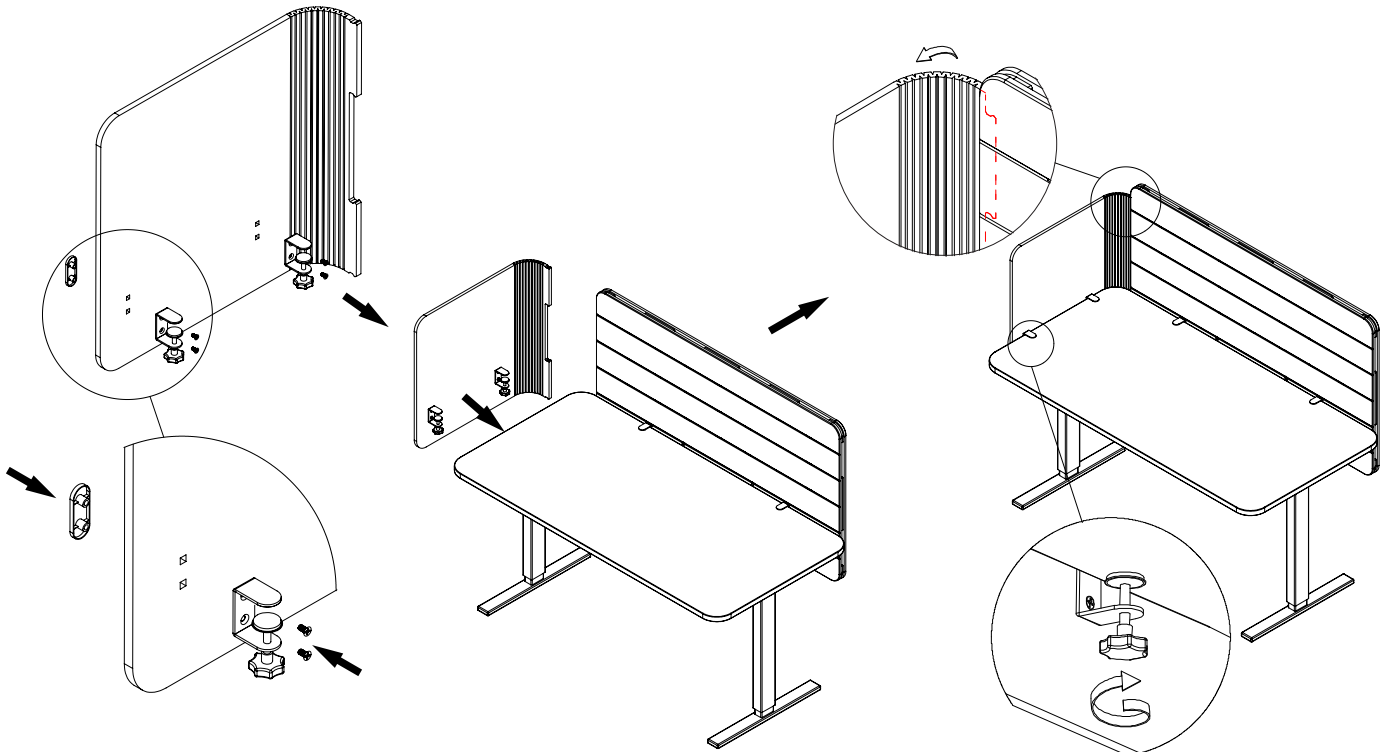


a. Cooee Desking Wing is an universal part and can be mounted as a left or right option.



b. Desking Screen has a middle layer with special shaped cut-outs for fitting Desking Wing and other accessories.

2



a. Insert Clamp Brackets into position, tighten the bolts and ensure mount is straight.

b. Insert Desking Wing into the corresponding pre-cut holes located in Desking Screen as shown. Bend Desking Wing, tighten the knobs and secure the Desking Wing in desire location.