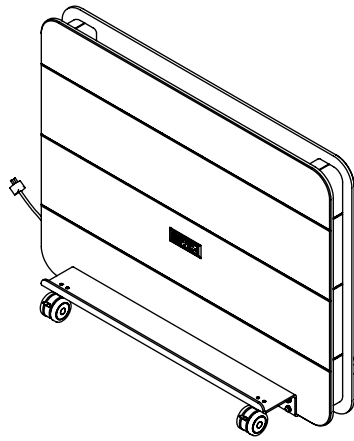


CONTENTS FOR Cooee Three Quarter With Power



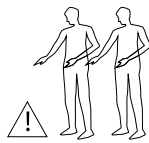
x1 Cooee Half Wall With Power

x1 Coee Half Wall With Power	x2 Metal Base Plates	x4 Lockable Castors	x16 M4 Countersunk Bolts
x4 3/8" Flange Nut	x16 M4 Flange Nut	x8 3/8" Washer	x4 3/8" 5" Long Hex Bolt

CAUTION

- Clear open space for install
- May need need a sturdy table.
- + 40lbs lift required

Tools you will need:



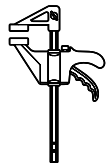
Two Person Install



7mm Spanner

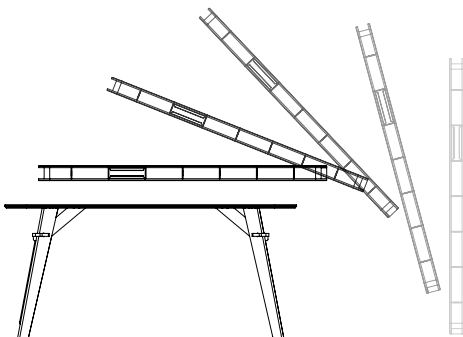


15/16" Spanner



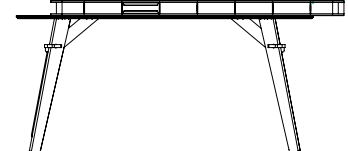
Quick grip

1



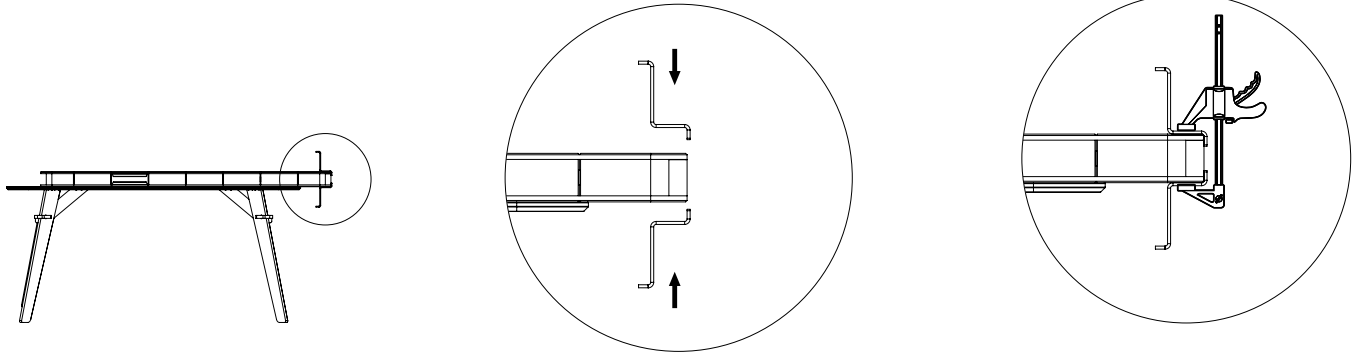
a. Lay Cooee Wall on table.

Min 10" [254mm] Overhang



b. Hang bottom end off the table to allow for base assembly.

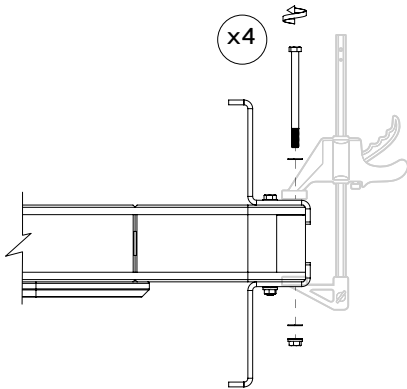
2



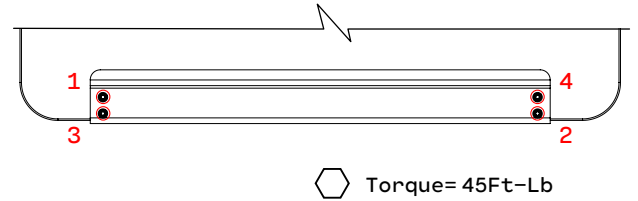
a.
Lay metal bases on Cooe Wall.

b.
Clamp with quick grip.
Ensure Holes are aligned.

3

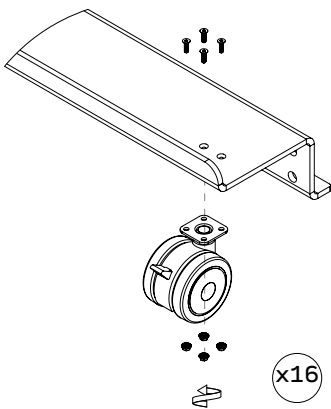


a.
Insert 3/8 bolt, Washer and Flange Nut.
Ensure all bolts are in the same direction

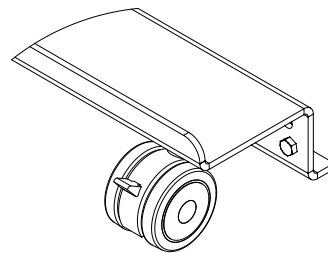


b.
Clamp with quick grip. Tighten bolts in order and repeat to prevent one bolt tighter than the other.
Ensure Hole's are aligned.

4



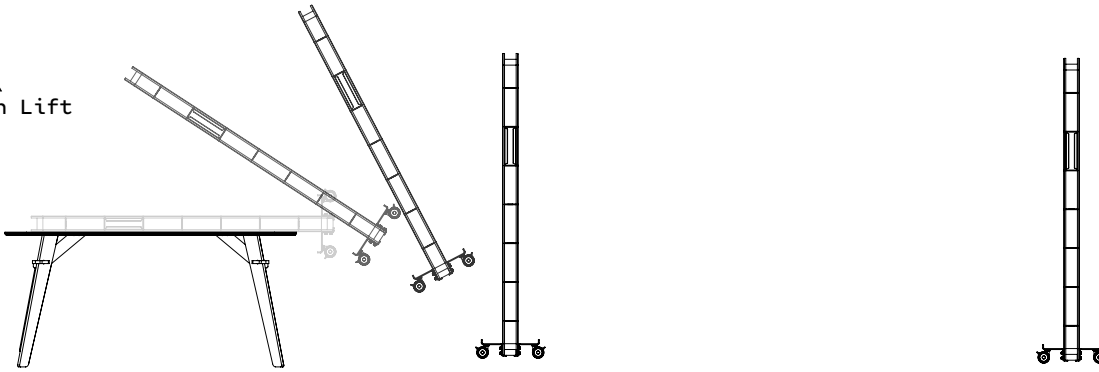
a.
Insert countersunk bolts, castors and M4 Flange nuts then tighten with 7mm Spanner.
Repeat for all bolts



b.
Ensure all bolts and castor's are secure

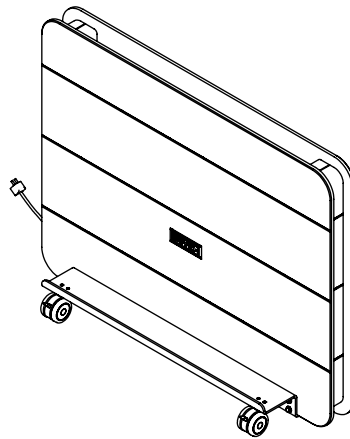
5

⚠
2 Person Lift



a.
Lift Cooee Wall onto the ground.

b.
Stand up and ensure Cooee Wall is able to move and castors can be locked.



x1 Assembled
Cooee Half Wall With Power



CAUTION & WARNING STATEMENT.

- Ensure wheels are locked and stationary when attaching Accessories.
- Cooee Wall With Power has internal wiring and live power when plugged in.
- Do not screw or drill anywhere unless stated on the Func Assembly guide.
- Escape routes must not be blocked.
- Disconnect Power when moving.
- Move slow, especially when crossing door thresholds etc.
- Ensure all cables have no loops and are out of foot traffic. (No trip hazards)
- Do not load heavy accessories on one side of the wall, as it increases the chance of tipping.