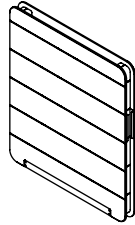
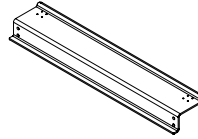


x1 Cooee Three Quarter Wall

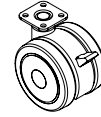
CONTENTS FOR Cooee Three Quarter



x1
Cooee Three
Quarter Wall



x2
Metal Base
Plates



x4
Lockable
Castors



x16
M4 Countersunk
Bolts



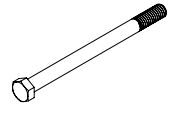
x4
3/8" Flange Nut



x16
M4 Flange Nut



x8
3/8" Washer

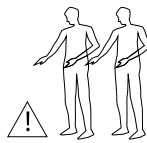


x4
3/8" 5" Long
Hex Bolt

! CAUTION

- Clear open space for install
- May need need a sturdy table.
- + 50lbs lift required

Tools you will need:



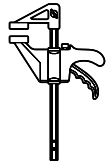
Two Person
Install



7mm Spanner

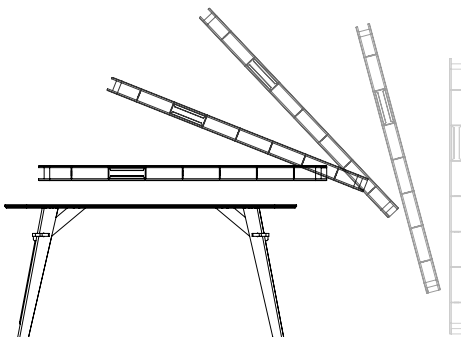


15/16" Spanner



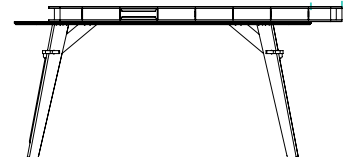
Quick grip

1



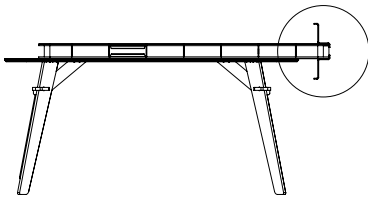
a.
Lay Cooee Wall on table.

Min 10" [254mm]
Overhang

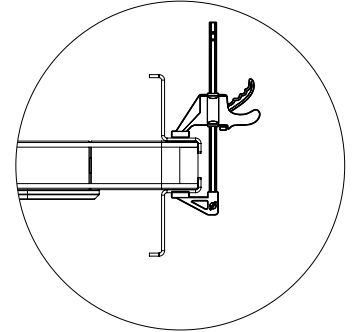
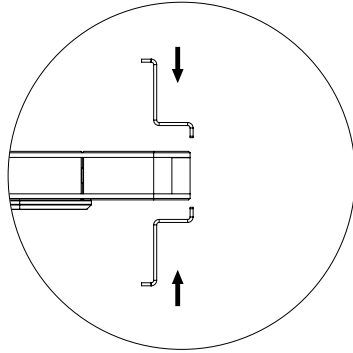


b.
Hang bottom end off the table
to allow for base assembly.

2

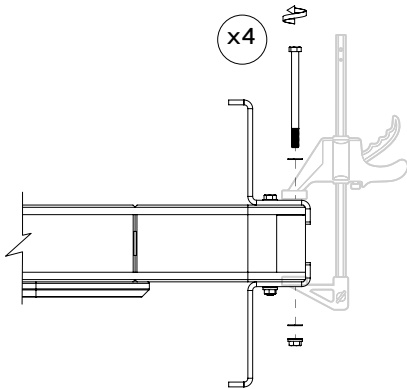


a.
Lay metal bases on Cooe Wall.

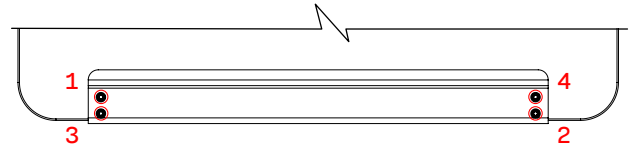


b.
Clamp with quick grip.
Ensure Holes are aligned.

3



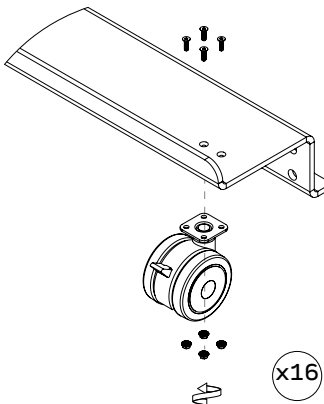
a.
Insert 3/8 bolt, Washer and Flange Nut.
Ensure all bolts are in the same direction



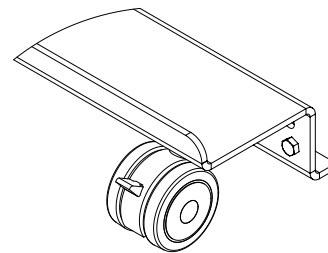
Torque= 45Ft-Lb

b.
Clamp with quick grip. Tighten bolts in order and repeat to prevent one bolt tighter than the other.
Ensure Hole's are aligned.

4



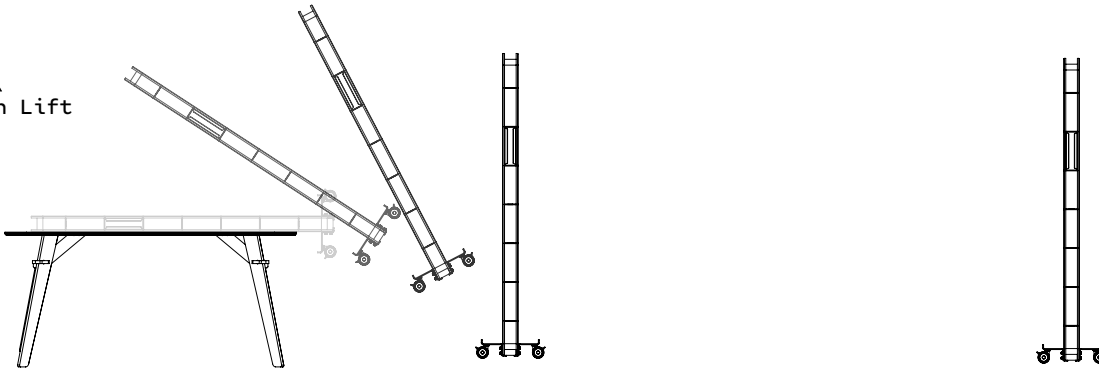
a.
Insert countersunk bolts, castors and M4 Flange nuts then tighten with 7mm Spanner.
Repeat for all bolts



b.
Ensure all bolts and castor's are secure

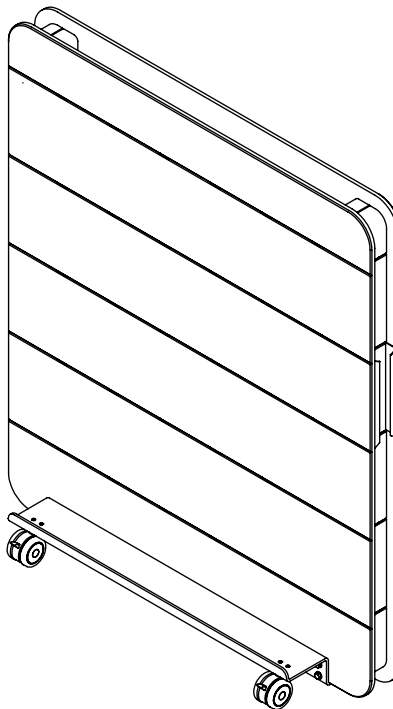
5

⚠
2 Person Lift



a.
Lift Cooee Wall onto the ground.

b.
Stand up and ensure Cooee Wall is able to move and castors can be locked.



x1 Assembled
Cooee Three Quarter Wall