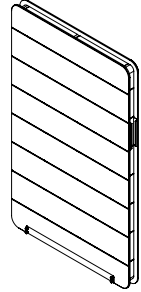
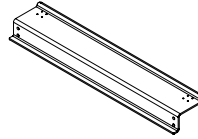


x1 Cooee Wall

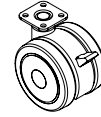
#### CONTENTS FOR Cooee Wall



x1  
Cooee Wall



x2  
Metal Base  
Plates



x4  
Lockable  
Castors



x16  
M4 Countersunk  
Bolts



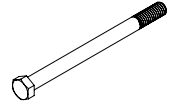
x4  
3/8" Flange Nut



x16  
M4 Flange Nut



x8  
3/8" Washer

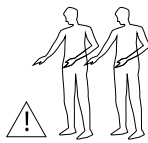


x4  
3/8" 5" Long  
Hex Bolt

#### CAUTION

- Clear open space for install
- May need need a sturdy table.
- + 65lbs lift required

#### Tools you will need:



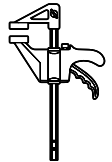
Two Person  
Install



7mm Spanner

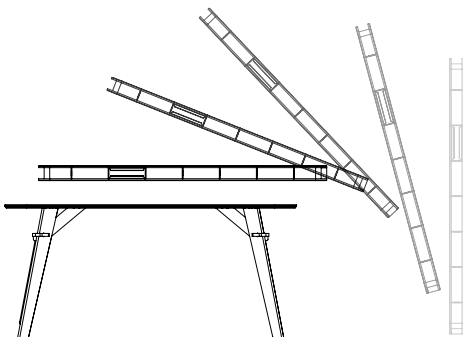


15/16" Spanner



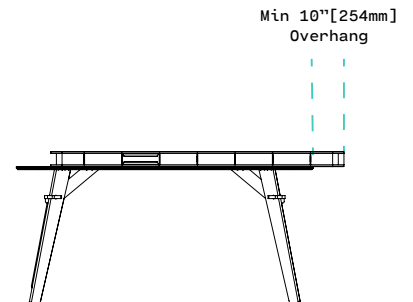
Quick grip

1



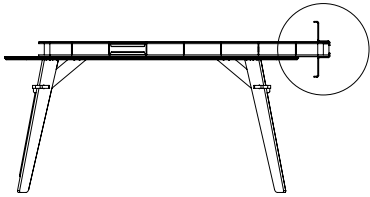
a.  
Lay Cooee Wall on table.

2 Person Lift

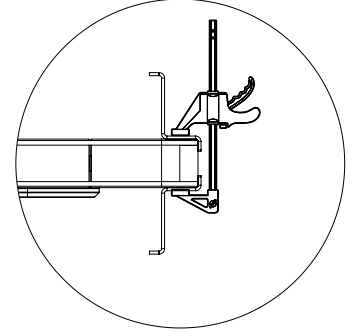
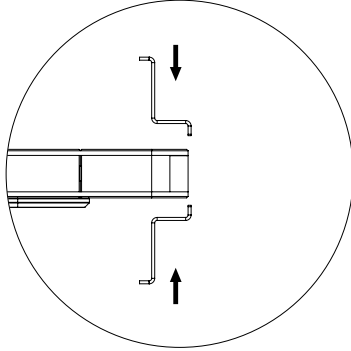


b.  
Hang bottom end off the table  
to allow for base assembly.

2

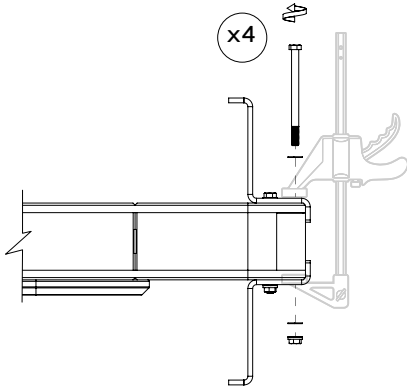


**a.**  
Lay metal bases on Cooee Wall.

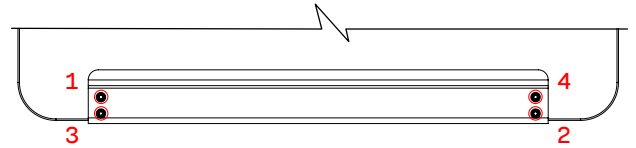


**b.**  
Clamp with quick grip.  
Ensure Holes are aligned.

3



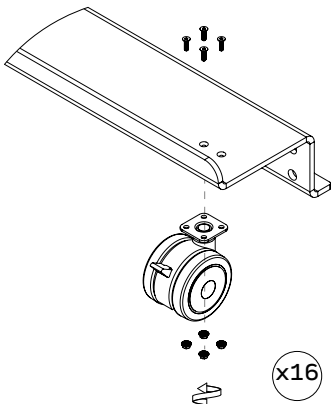
**a.**  
Insert 3/8 bolt, Washer and Flange Nut.  
Ensure all bolts are in the same direction



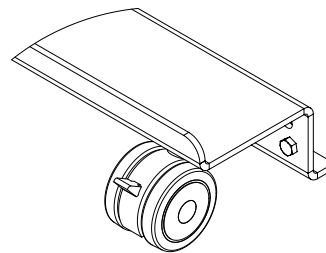
⬡ Torque= 45Ft-Lb

**b.**  
Clamp with quick grip. Tighten bolts in order and repeat to prevent one bolt tighter than the other.  
Ensure Hole's are aligned.

4



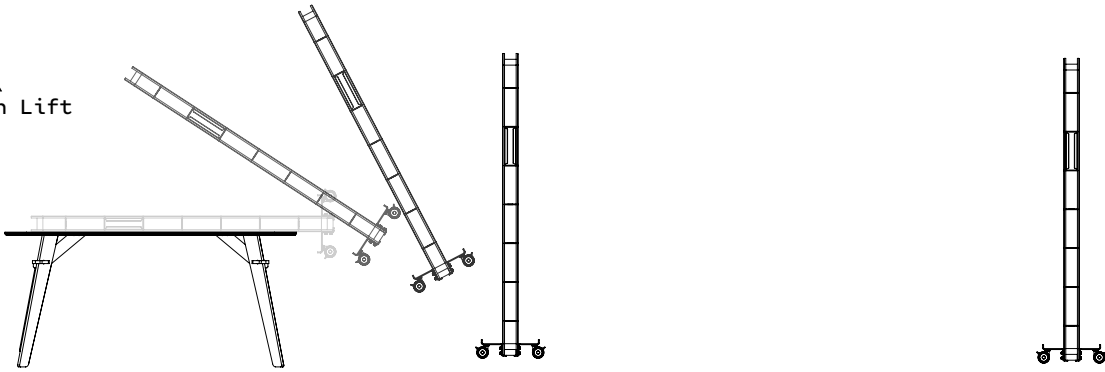
**a.**  
Insert countersunk bolts, castors and M4 Flange nuts then tighten with 7mm Spanner.  
Repeat for all bolts



**b.**  
Ensure all bolts and castor's are secure

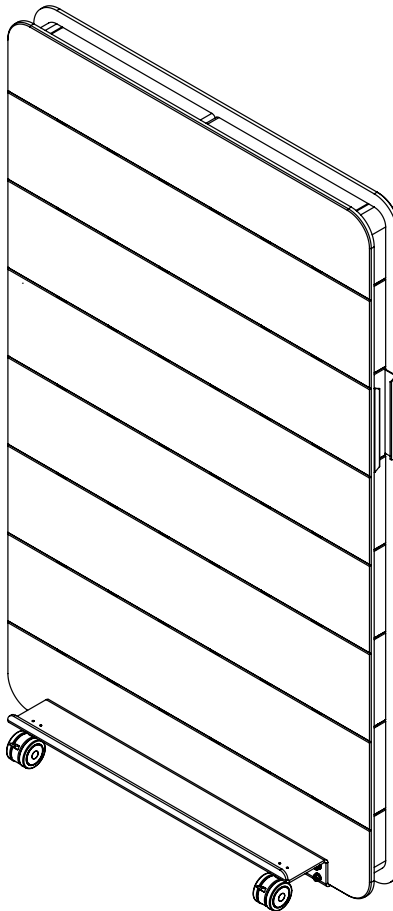
5

⚠  
2 Person Lift



a.  
Lift Cooee Wall onto the ground.

b.  
Stand up and ensure Cooee Wall is able to move and castors can be locked.



x1 Assembled  
Cooee Wall