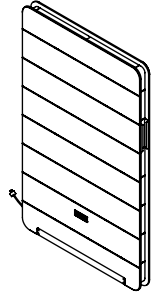
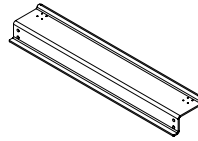


x1 Cooee Wall With Power

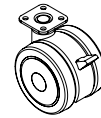
CONTENTS FOR Cooee Wall With Power



x1
Cooee Wall
With Power



x2
Metal Base
Plates



x4
Lockable
Castors



x16
M4 Countersunk
Bolts



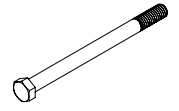
x4
3/8" Flange Nut



x16
M4 Flange Nut



x8
3/8" Washer



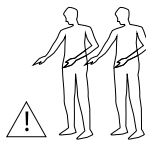
x4
3/8" 5" Long
Hex Bolt

0

! CAUTION

- Clear open space for install
- May need need a sturdy table.
- + 65lbs lift required

Tools you will need:



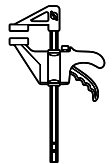
Two Person
Install



7mm Spanner



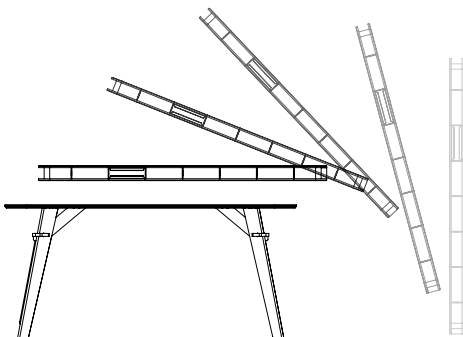
15/16" Spanner



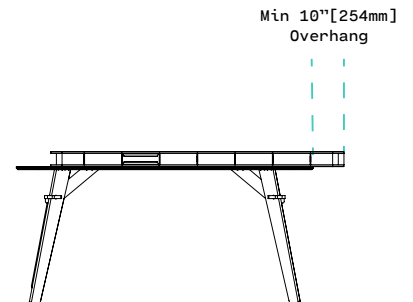
Quick grip

1

! 2 Person Lift

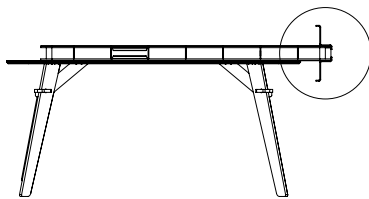


a.
Lay Cooee Wall on table.

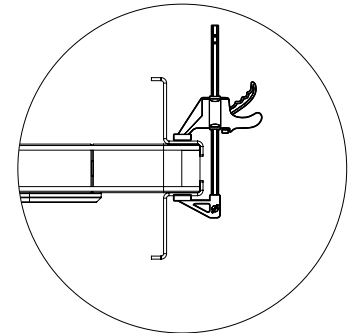
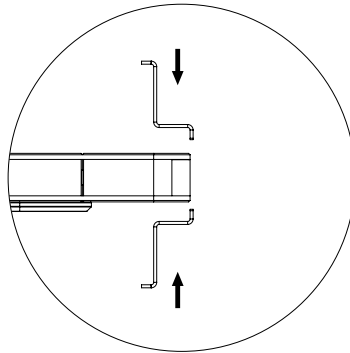


b.
Hang bottom end off the table
to allow for base assembly.

2

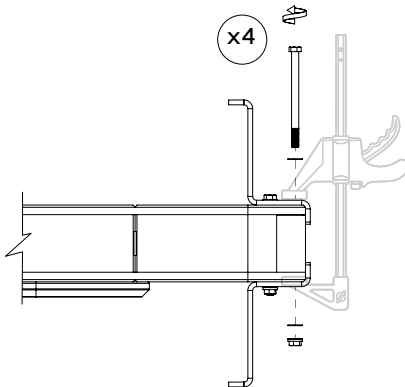


a.
Lay metal bases on Cooee Wall.

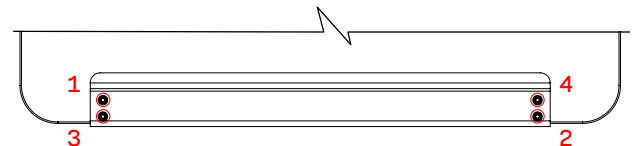


b.
Clamp with quick grip.
Ensure Holes are aligned.

3



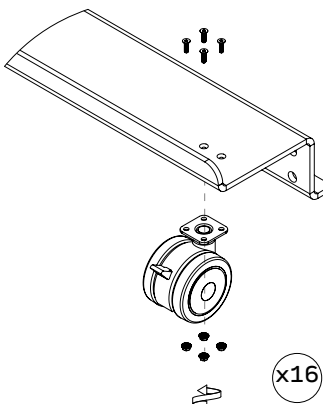
a.
Insert 3/8 bolt, Washer and Flange Nut.
Ensure all bolts are in the same direction



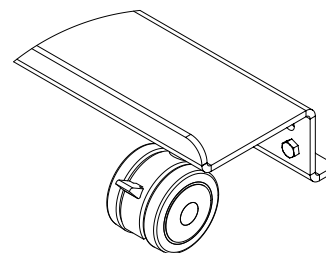
⬡ Torque= 45Ft-Lb

b.
Clamp with quick grip. Tighten bolts in order and repeat to prevent one bolt tighter than the other.
Ensure Hole's are aligned.

4



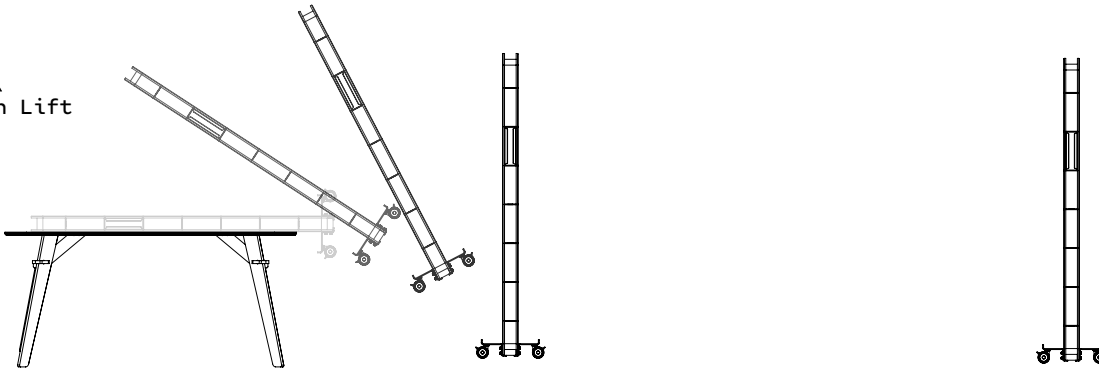
a.
Insert countersunk bolts, castors and M4 Flange nuts then tighten with 7mm Spanner.
Repeat for all bolts



b.
Ensure all bolts and castor's are secure

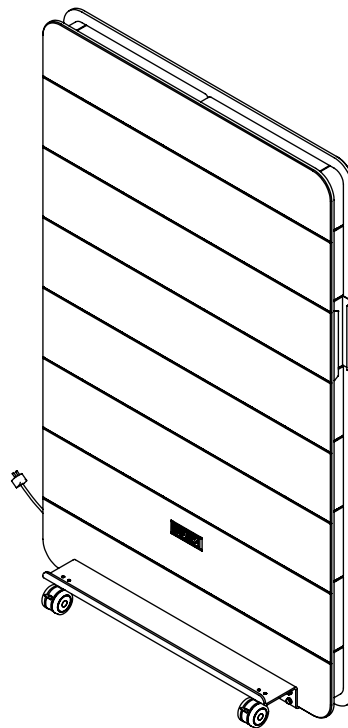
5

⚠
2 Person Lift



a.
Lift Cooee Wall onto the ground.

b.
Stand up and ensure Cooee Wall is able to move and castors can be locked.



x1 Assembled
Cooee Wall With Power



CAUTION & WARNING STATEMENT.

- Ensure wheels are locked and stationary when attaching Accessories.
- Cooee Wall With Power has internal wiring and live power when plugged in.
- Do not screw or drill anywhere unless stated on the Func Assembly guide.
- Escape routes must not be blocked.
- Disconnect Power when moving.
- Move slow, especially when crossing door thresholds etc.
- Ensure all cables have no loops and are out of foot traffic. (No trip hazards)
- Do not load heavy accessories on one side of the wall, as it increases the chance of tipping.